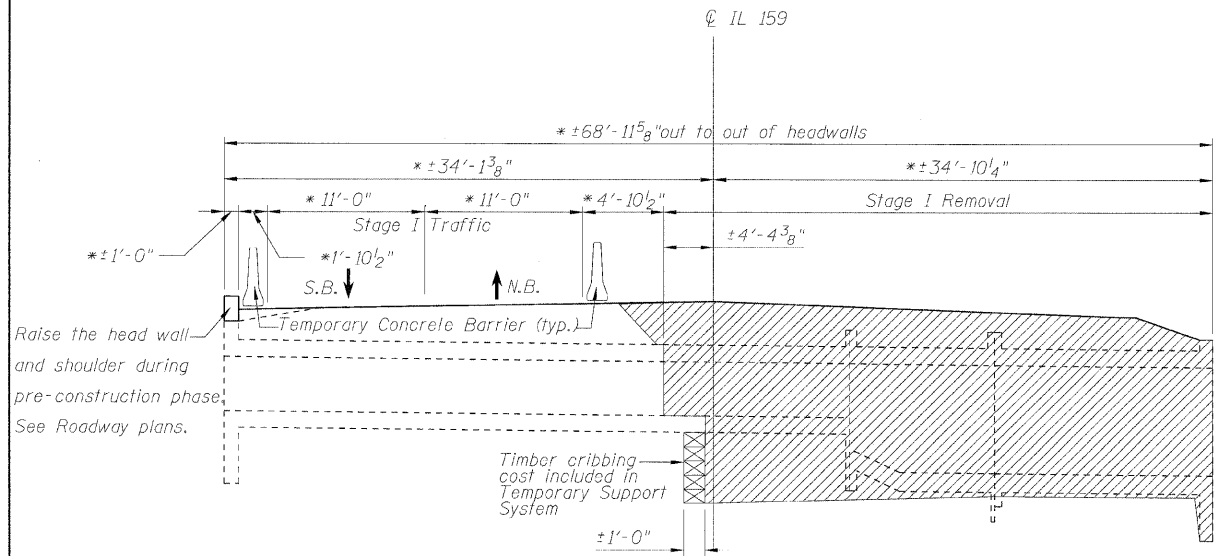
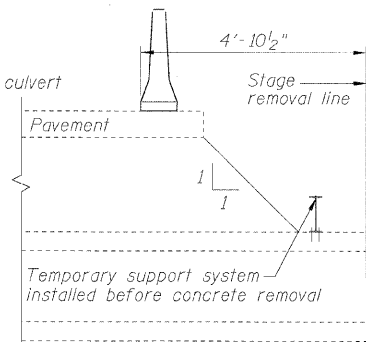


STATE OF ILLINOIS
DEPARTMENT OF TRANSPORTATION

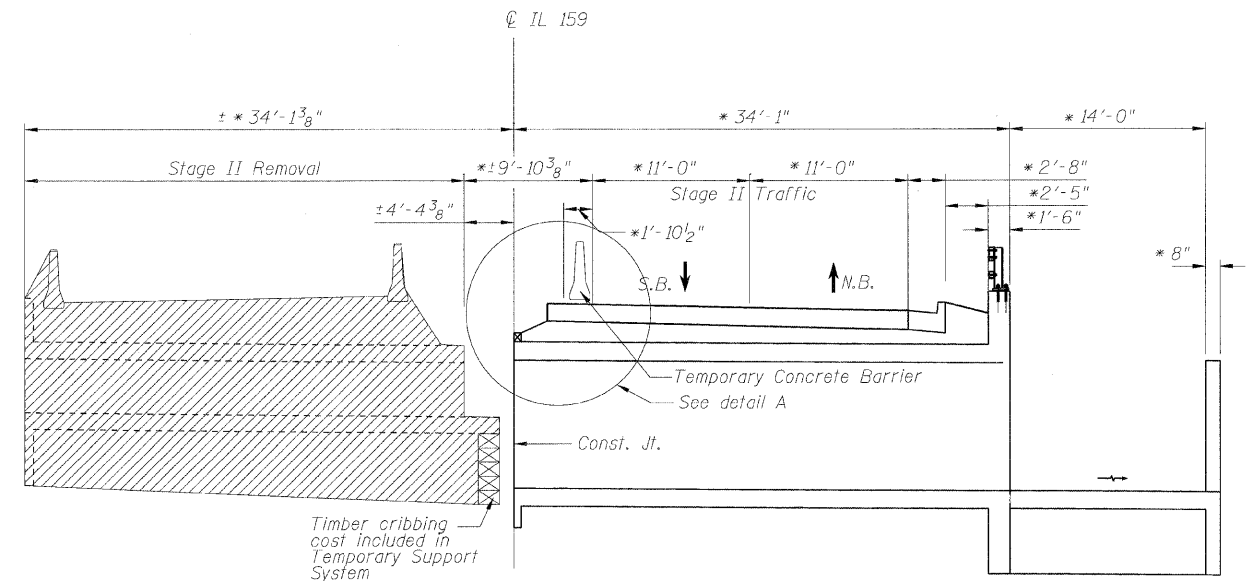


LONGITUDINAL SECTION
STAGE I REMOVAL

* Dimensions are at right angles to CL Roadway Reference line at CL culvert

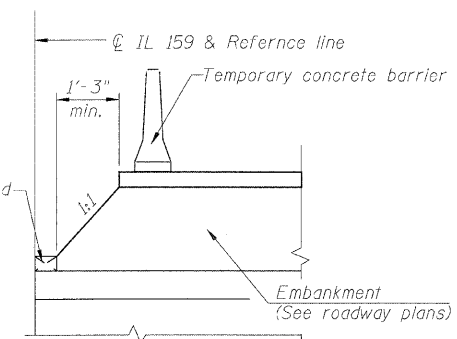


DETAIL D-D

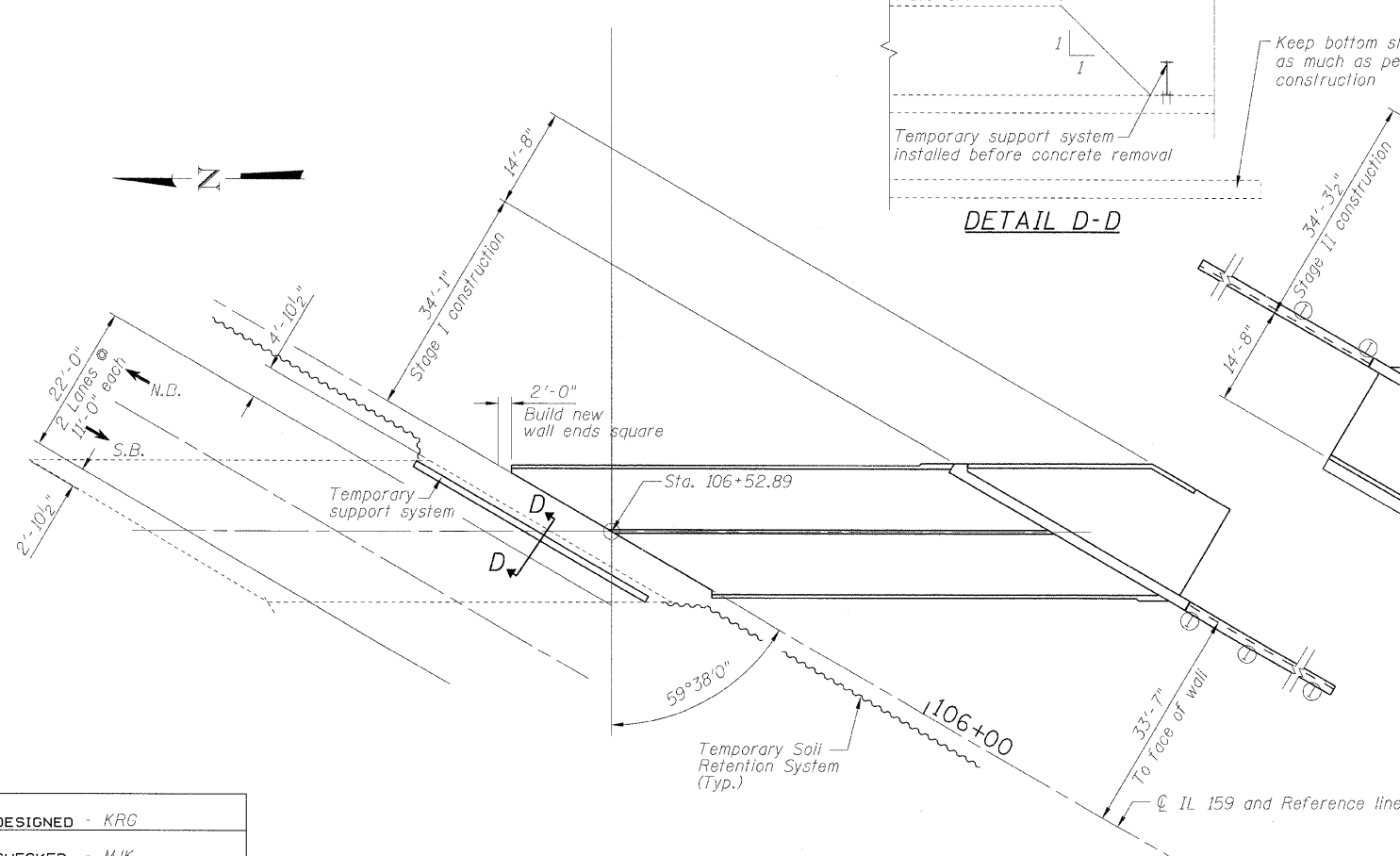


LONGITUDINAL SECTION
STAGE II REMOVAL

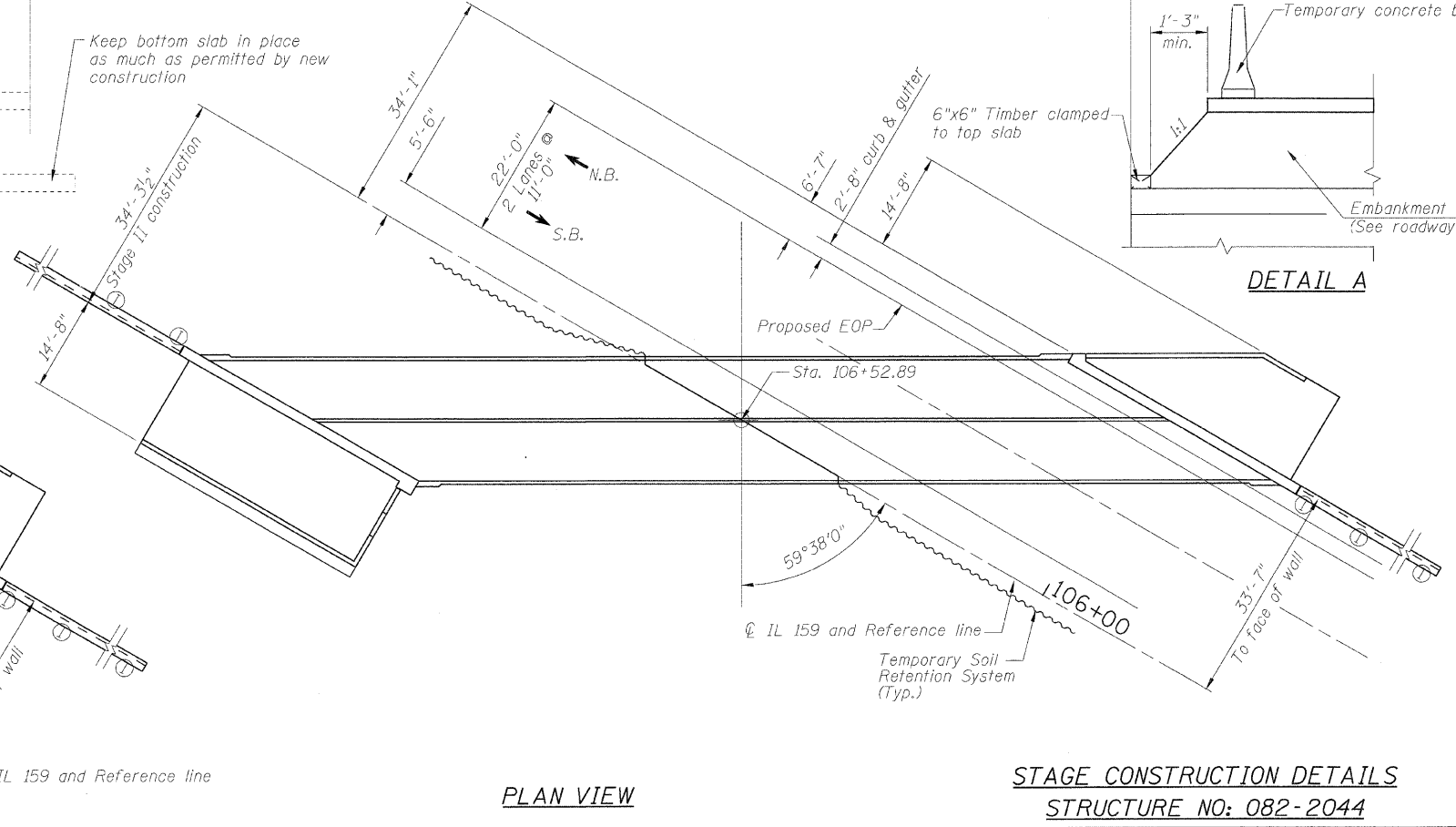
* Dimensions are at right angles to CL Roadway Reference line at CL culvert



DETAIL A



PLAN VIEW
STAGE I CONSTRUCTION



PLAN VIEW
STAGE II CONSTRUCTION

STAGE CONSTRUCTION DETAILS
STRUCTURE NO: 082-2044

DESIGNED - KRG
CHECKED - MJK
DRAWN - GSJ
CHECKED - MJK

SHEET NO. 3	F.A.P. RTE. 600	SECTION 60-(30,31,128)-1	COUNTY St. Clair	TOTAL SHEETS 399	SHEET NO. 244
15 SHEETS	STRUCTURE NO: 082-2044		CONTRACT NO. 76830		
FED. ROAD DIST. NO. - ILLINOIS FED. AID PROJECT					

MID-AMERICA ENGINEERING SERVICES