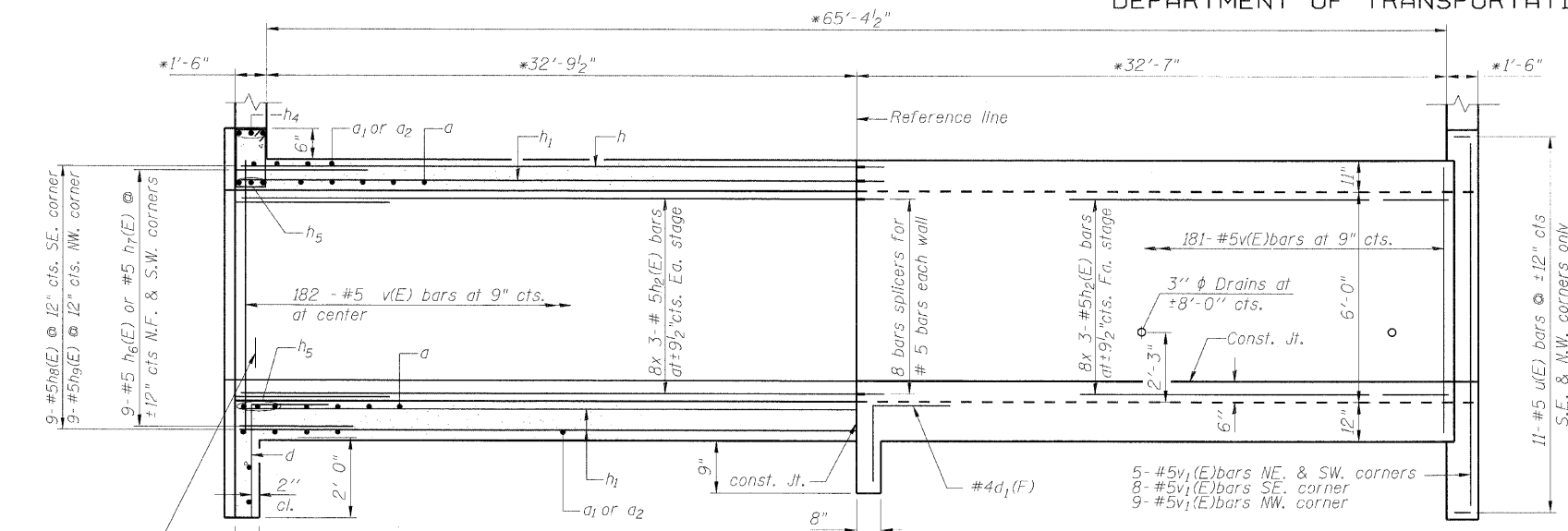


STATE OF ILLINOIS
DEPARTMENT OF TRANSPORTATION

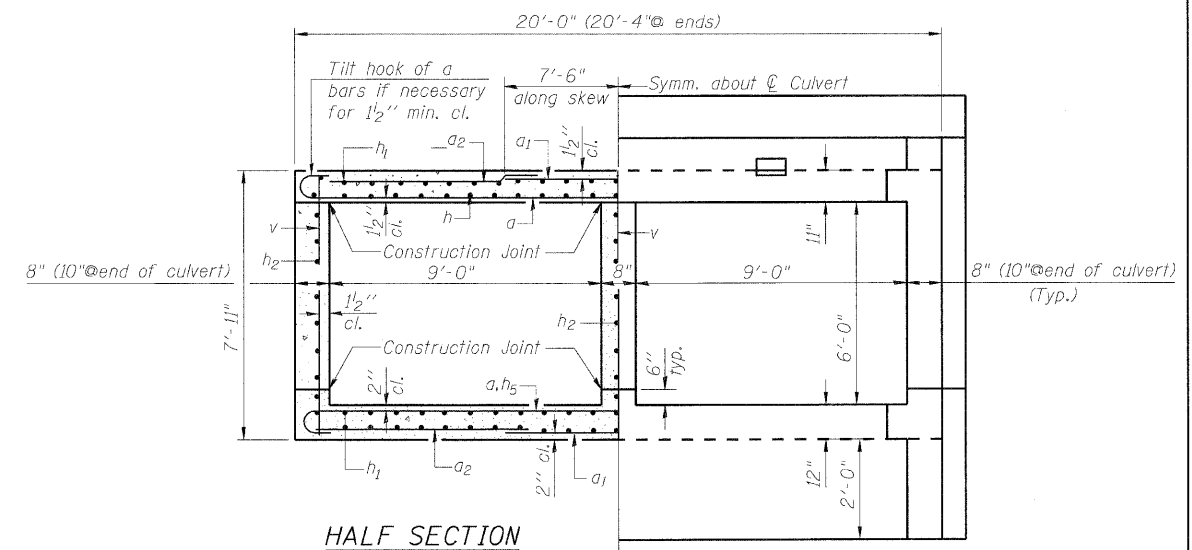


HALF LONG SECTION
Showing bars in Center Wall

HALF ELEVATION
Showing bars in Outside Wall

*Dimensions are at right angles to Reference line

#5 (E) bars
3 each Northeast & Southwest corners
2 each South east & Northwest corner



HALF SECTION THRU BARREL

HALF END ELEVATION

BARS h₃₀(E)

BARS d(E) & d₁(E)

BAR a (E)

BILL OF MATERIAL

Bar	No.	Size	Length	Shape
a (E)	520	#8	22'-7"	C
a ₁ (E)	250	#9	15'-0"	—
a ₂ (E)	252	#5	14'-0"	—
d (E)	36	#4	4'-6"	L
d ₁ (E)	18	#4	3'-3"	L
d ₂ (E)	88	#4	2'-3"	L
d ₃ (E)	44	#6	2'-8"	L
d ₄ (E)	44	#4	2'-4"	L
d ₅ (E)	44	#6	3'-9"	L
d ₆ (E)	44	#4	3'-5"	L
e (E)	10	#4	22'-5"	—
e ₁ (E)	10	#4	19'-9"	—
h (E)	132	#6	24'-0"	—
h ₁ (E)	360	#5	23'-9"	—
h ₂ (E)	144	#5	24'-0"	—
h ₃ (E)	40	#5	4'-0"	L
h ₄ (E)	18	#8	16'-8"	—
h ₅ (E)	24	#7	22'-8"	—
h ₆ (E)	18	#5	6'-10"	—
h ₇ (E)	18	#5	3'-2"	—
h ₈ (E)	9	#5	6'-5"	—
h ₉ (E)	9	#5	5'-0"	—
h ₃₀ (E)	4	#5	3'-9"	L
u (E)	22	#5	6'-6"	L
s (E)	44	#4	5'-5"	□
s ₁ (E)	44	#4	5'-3"	□
v (E)	554	#5	7'-7"	—
v ₁ (E)	27	#5	10'-0"	—
Concrete Box Culverts			Cu. Yd.	270.6
Reinforcement Bars (Epoxy coated)			Pound	73,740

Notes:
Bars indicated thus 12x4-#5 etc. indicates 12 lines of bars with 4 lengths per line.
See sheets 6 & 7 of 15 for additional bar placement details.

Min. bar laps
(unless noted otherwise)
8 bar = 3'-8"
7 bar = 2'-9"
6 bar = 2'-0"
5 bar = 1'-8"

DESIGNED - KRG
CHECKED - MJK
DRAWN - GSJ
CHECKED - MJK

DB-H-L

SHOWING OUTLINES

SHOWING REINFORCEMENT

PLAN

**CULVERT BARREL
STRUCTURE NO: 082-2044**

SHEET NO. 5 15 SHEETS	F.A.P. RTE.	SECTION	COUNTY	TOTAL SHEETS	SHEET NO.
	600	60-(30,31,128)-1	St. Clair	399	246
		STRUCTURE NO: 082-2044		CONTRACT NO. 76830	
		FED. ROAD DIST. NO. ILLINOIS		FED. AID PROJECT	

MID-AMERICA ENGINEERING SERVICES