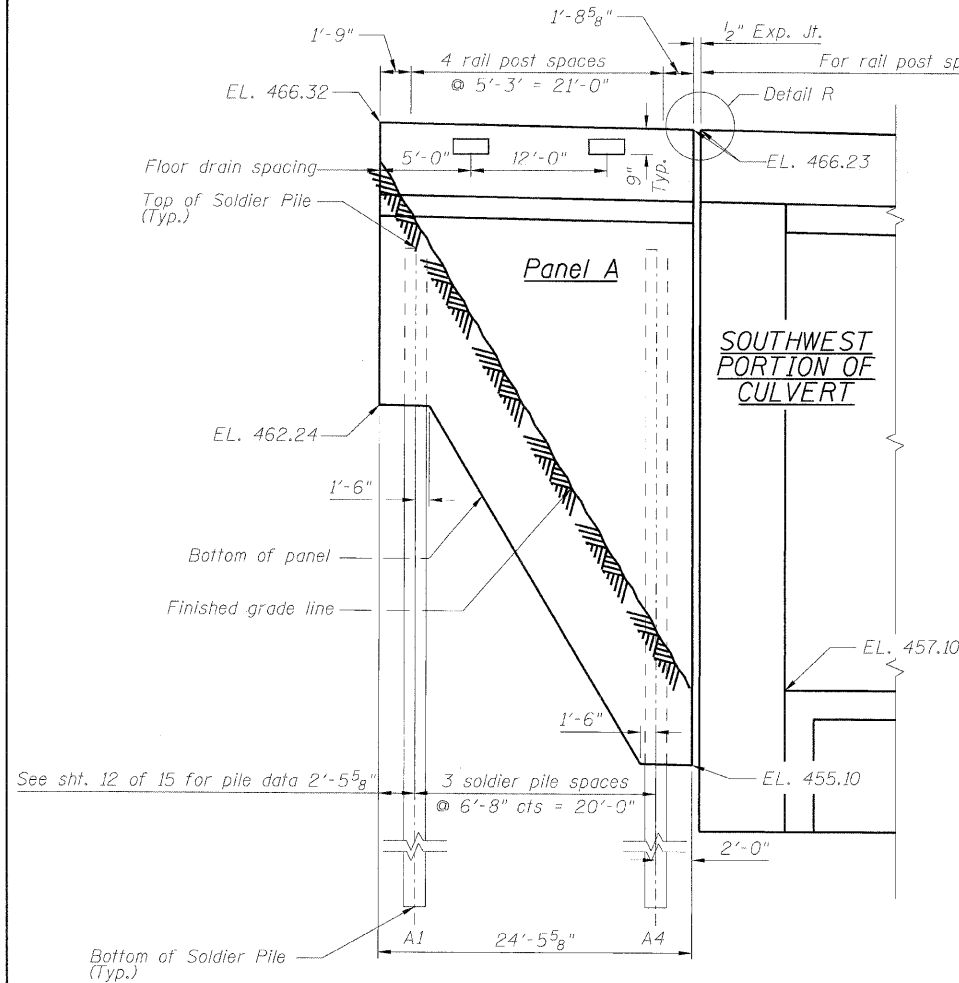
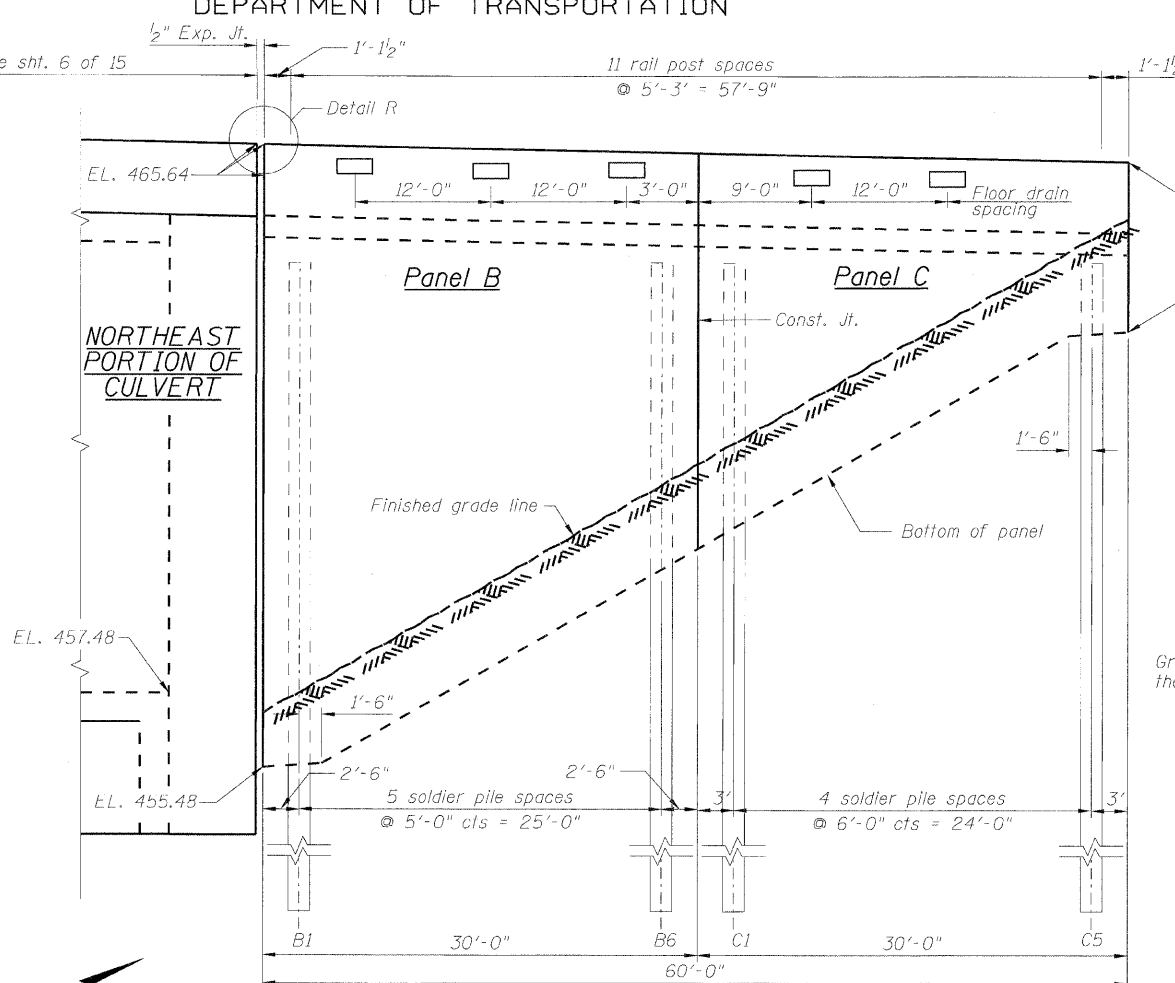


STATE OF ILLINOIS
DEPARTMENT OF TRANSPORTATION

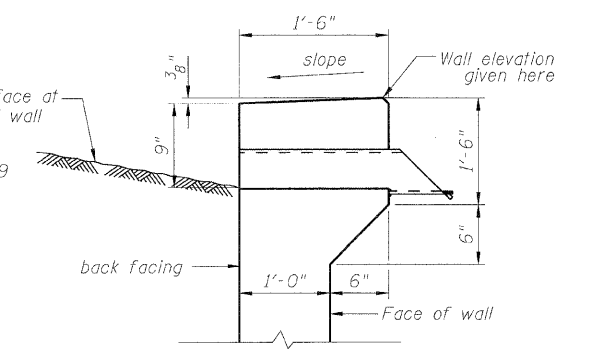


ELEVATION

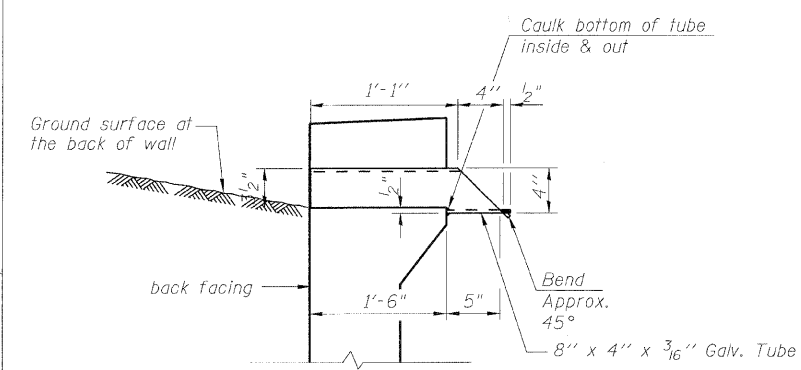


LONGITUDINAL SECTION

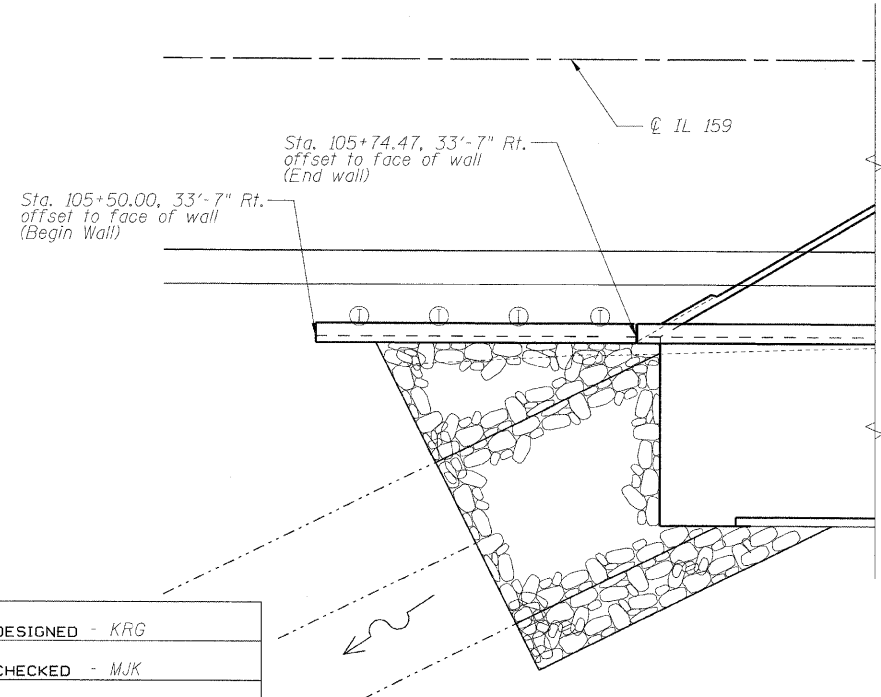
Through Embankment



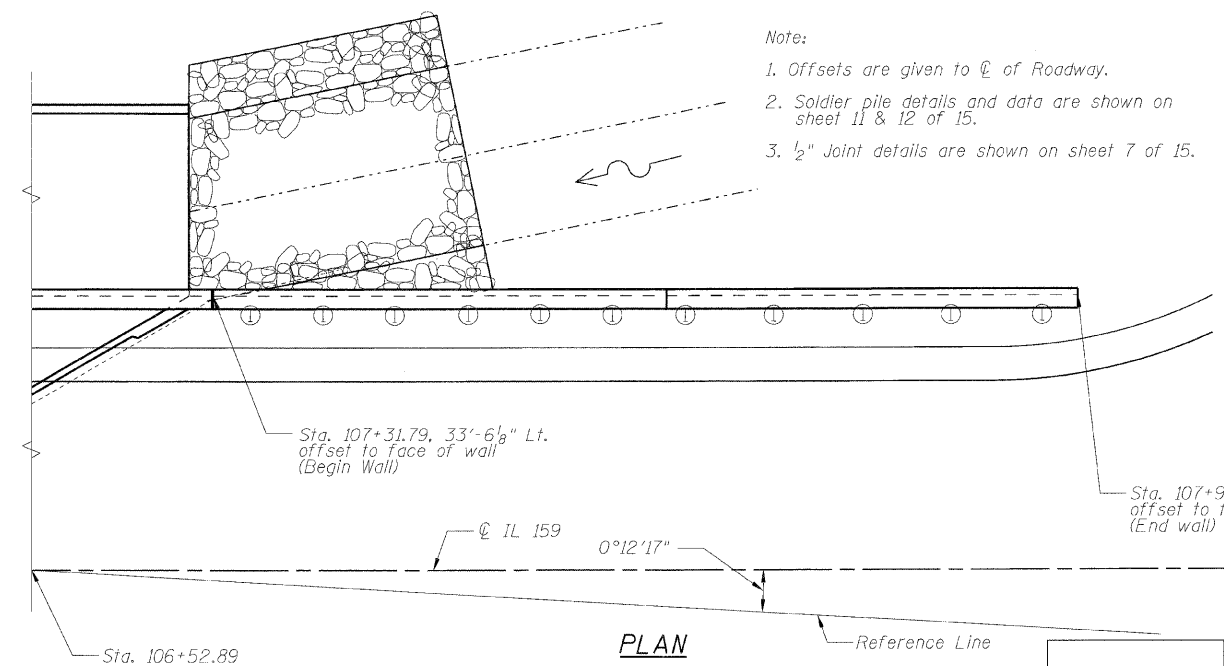
DETAIL AT TOP OF FACING



FLOOR DRAIN DETAIL

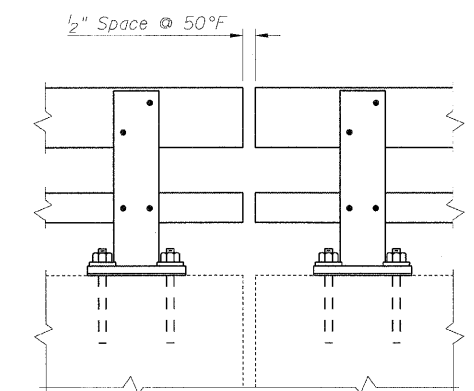


**PLAN
SOUTHWEST WINGWALL**



**PLAN
NORTHEAST WINGWALL**

- Note:
1. Offsets are given to \varnothing of Roadway.
 2. Soldier pile details and data are shown on sheet 11 & 12 of 15.
 3. 1/2" Joint details are shown on sheet 7 of 15.



DETAIL R
Railing Expansion Jt.

**SOLDIER PILE WING WALLS
STRUCTURE NO: 082-2044**

DESIGNED - KRG
CHECKED - MJK
DRAWN - GSJ
CHECKED - MJK

SHEET NO. 10 15 SHEETS	F.A.P. RTE.	SECTION	COUNTY	TOTAL SHEETS	SHEET NO.
	600	60-(30,31,128)-1	St. Clair	399	251
STRUCTURE NO: 082-2044			CONTRACT NO. 76830		
FED. ROAD DIST. NO. - ILLINOIS FED. AID PROJECT					

MID-AMERICA ENGINEERING SERVICES