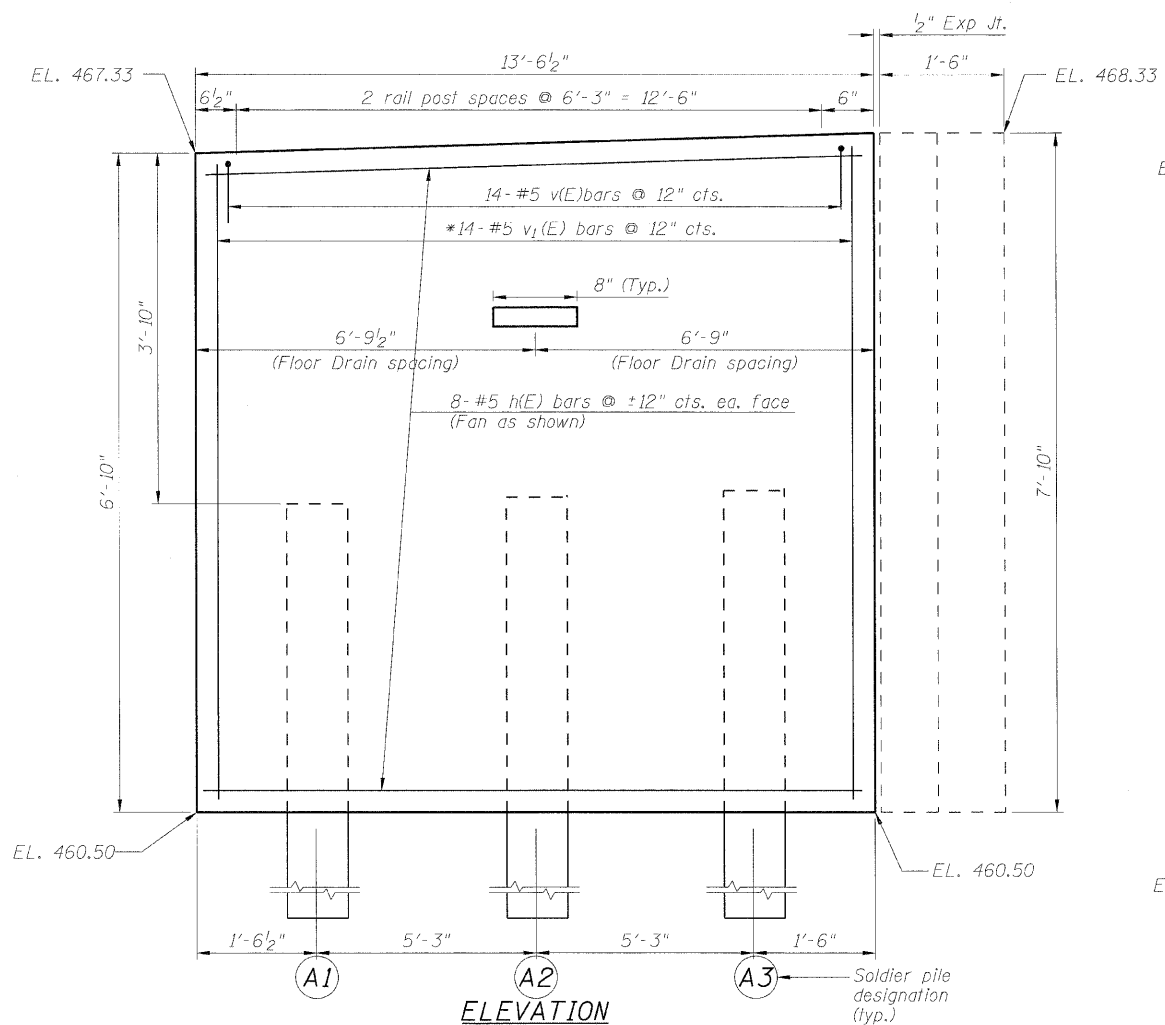
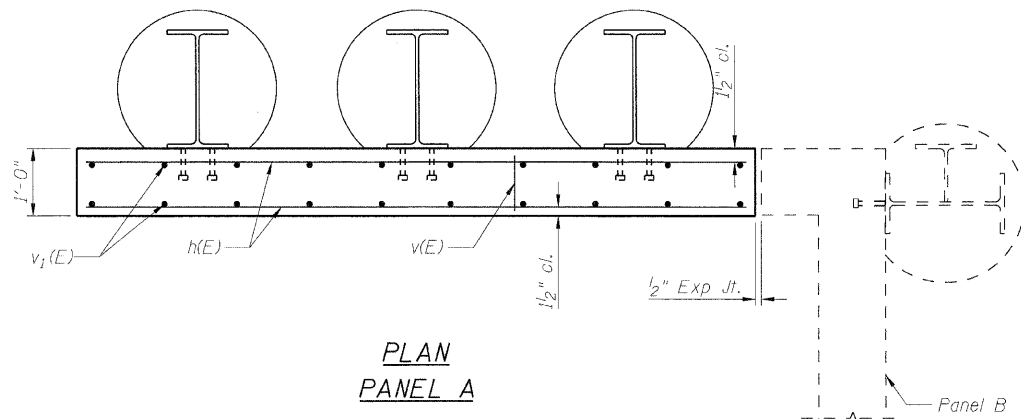


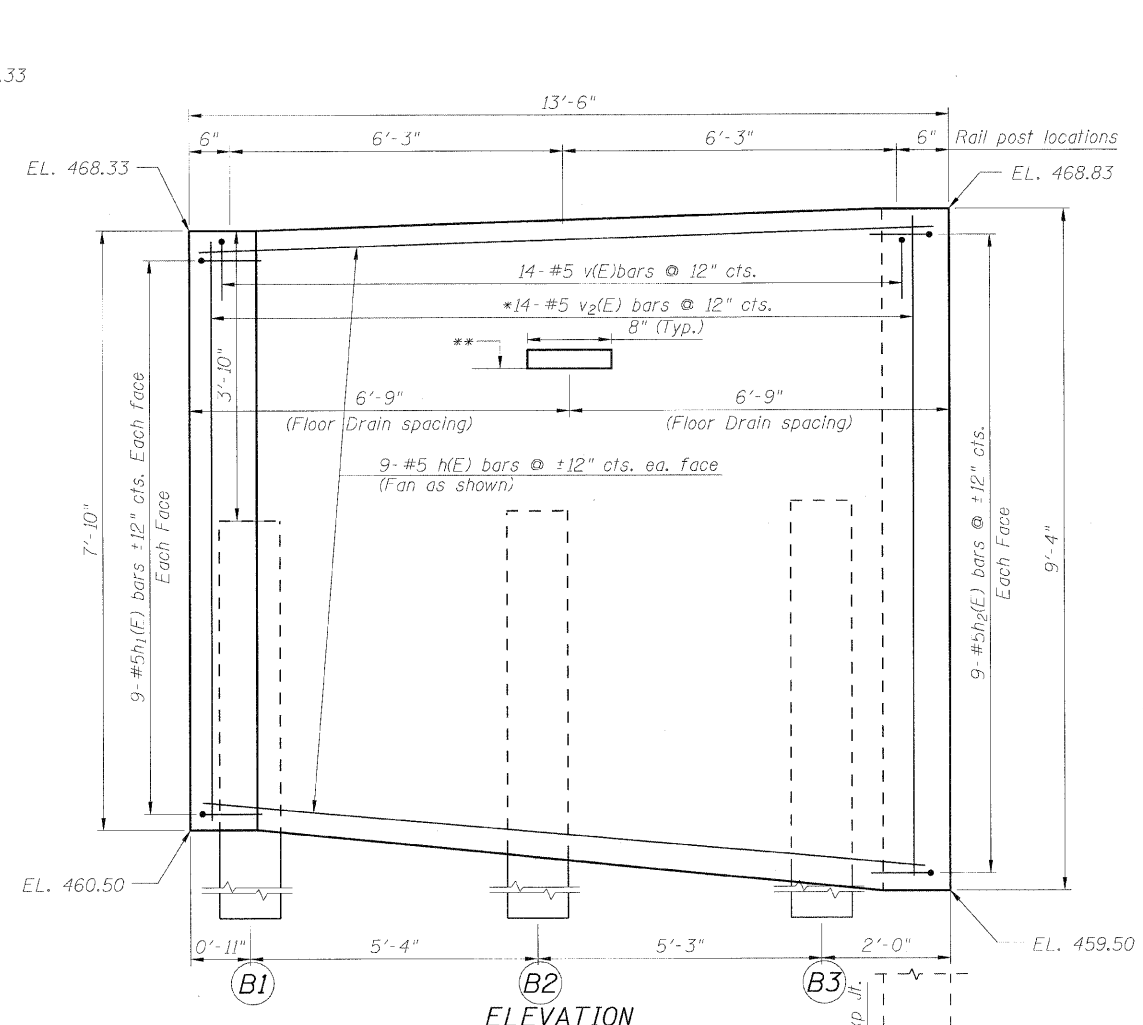
STATE OF ILLINOIS
DEPARTMENT OF TRANSPORTATION



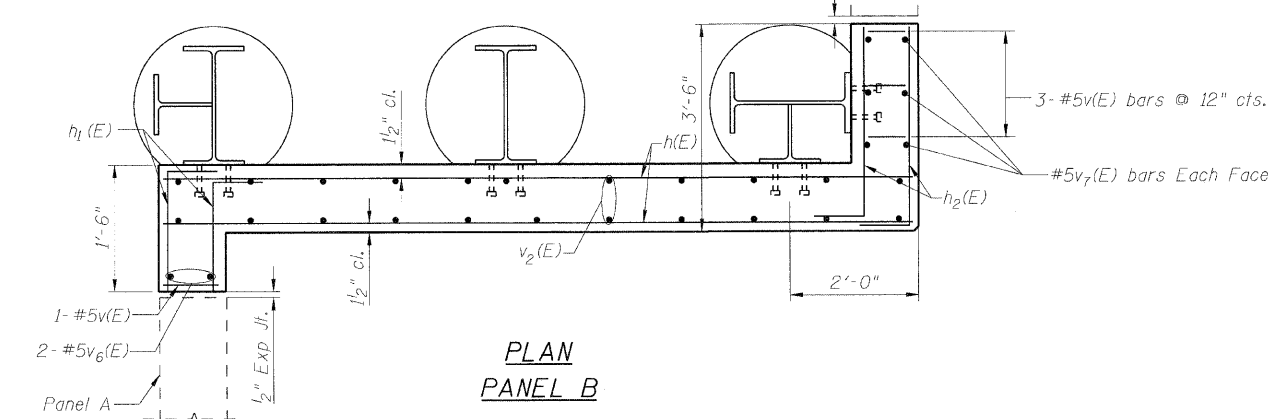
ELEVATION



PLAN
PANEL A



ELEVATION



PLAN
PANEL B

DESIGNED - KRG
CHECKED - MJK
DRAWN - GSJ
CHECKED - MJK

Min. bar laps
(unless noted otherwise)
5 bar = 1'-8"

* Order v₁(F) & v₂(F) bars full length. Cut to fit the taper and use the remainder on the opposite face. See bar cutting diagram on sht. 7 of 9.
** Ground surface behind the wall (Typ.)

Note: For cross section thru panels & Soldier pile data See. sht. 7 of 9. For Expansion Jt. details see 6 of 9. For Floor drain details see sht. 2 of 9.

PANELS A & B

SHEET NO. 3 9 SHEETS	F.A.P. RTE.	SECTION	COUNTY	TOTAL SHEETS	SHEET NO.
	600	60-(30,31,128)-1	St. Clair/Madison	399	259
RETAINING WALL 1			CONTRACT NO. 76830		
FED. ROAD DIST. NO. ILLINOIS FED. AID PROJECT					

MID-AMERICA ENGINEERING SERVICES