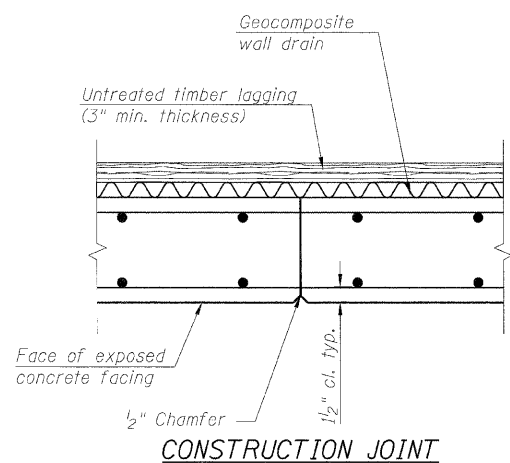
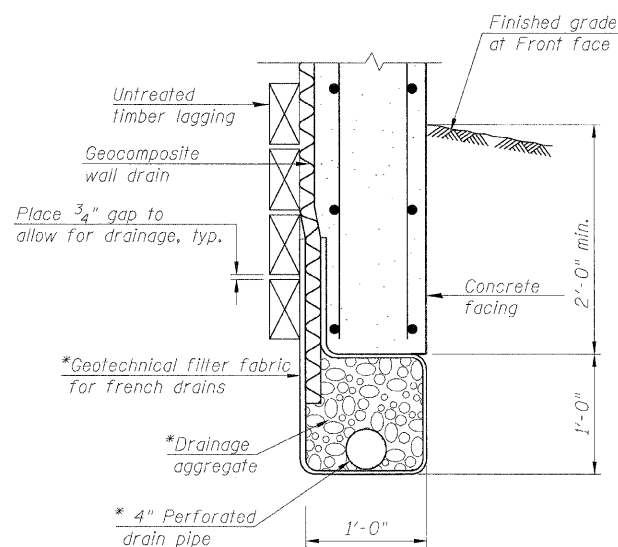


STATE OF ILLINOIS
DEPARTMENT OF TRANSPORTATION

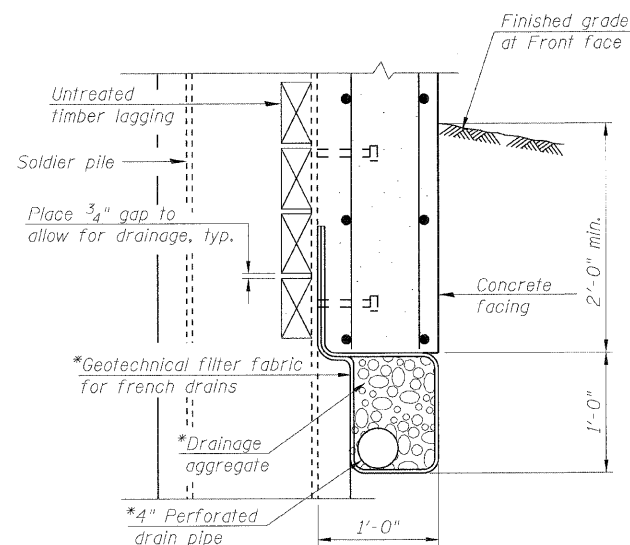
Note: The contractor is responsible for the design and performance of the lagging using no less than 3 in. nominal rough-sawn thickness and timber with a minimum allowable bending stress of 1000 psi.



CONSTRUCTION JOINT

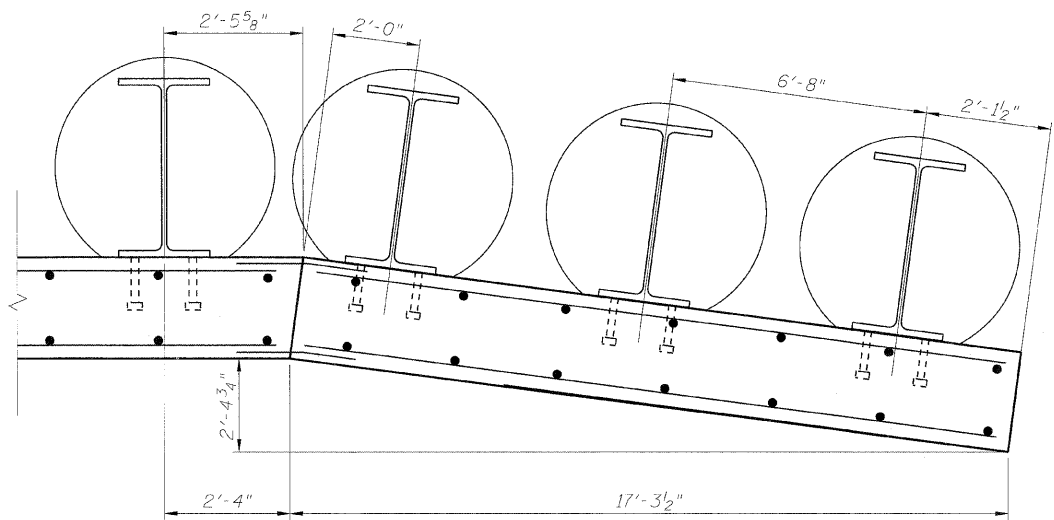


UNDER DRAIN DETAIL BETWEEN SOLDIER PILES

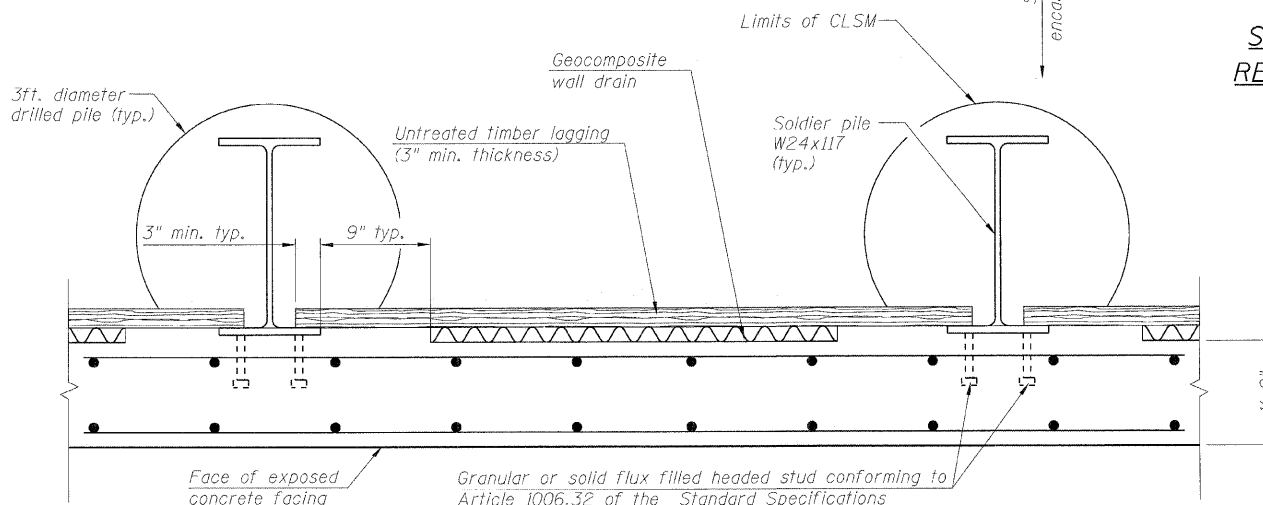


UNDER DRAIN DETAIL AT SOLDIER PILES

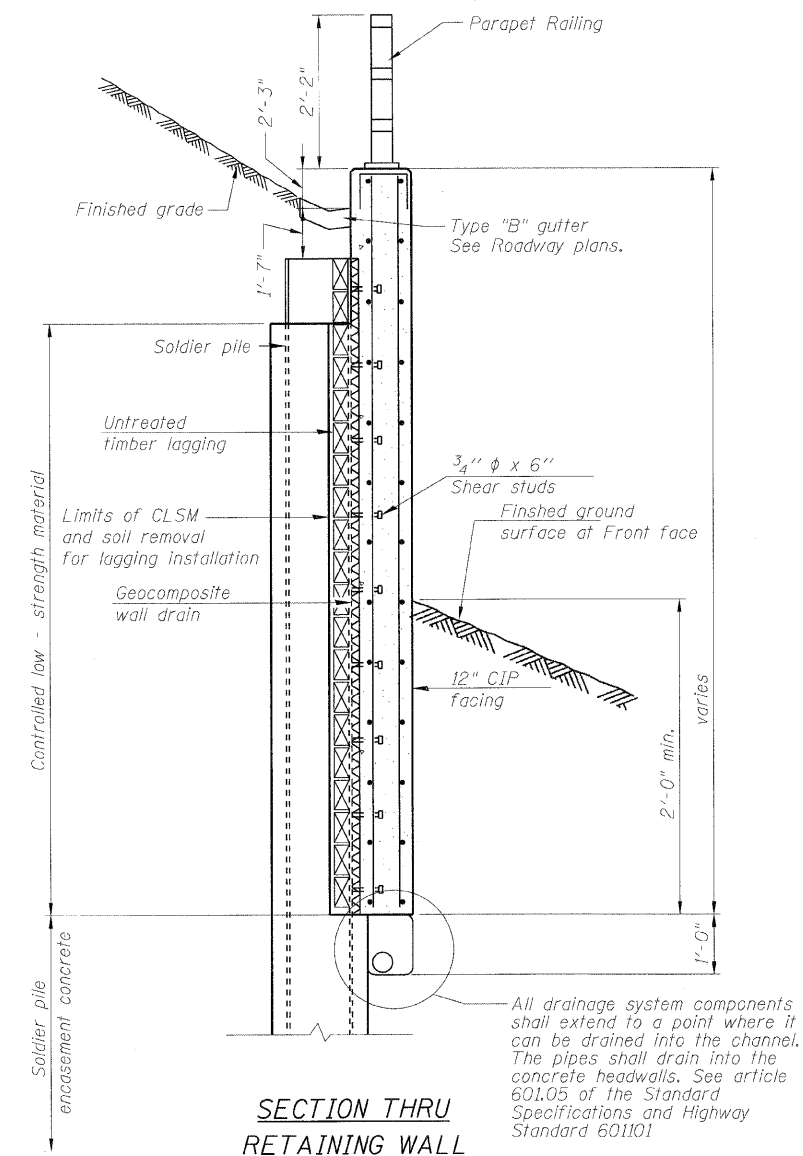
* Included in the cost of Pipe Underdrains for structures.



DETAIL A



TYPICAL PLAN THROUGH WALL



SECTION THRU RETAINING WALL

All drainage system components shall extend to a point where it can be drained into the channel. The pipes shall drain into the concrete headwalls. See article 601.05 of the Standard Specifications and Highway Standard 601101

DESIGNED - KRG
CHECKED - MJK
DRAWN - GSJ
CHECKED - MJK

SOLDIER PILE WALL DETAILS

SHEET NO. 4 7 SHEETS	F.A.P. RTE.	SECTION	COUNTY	TOTAL SHEETS	SHEET NO.
	600	60-(30,31,128)-1	Madison	399	269
RETAINING WALL 2			CONTRACT NO. 76830		
FED. ROAD DIST. NO. ILLINOIS FED. AID PROJECT					

MID-AMERICA ENGINEERING SERVICES