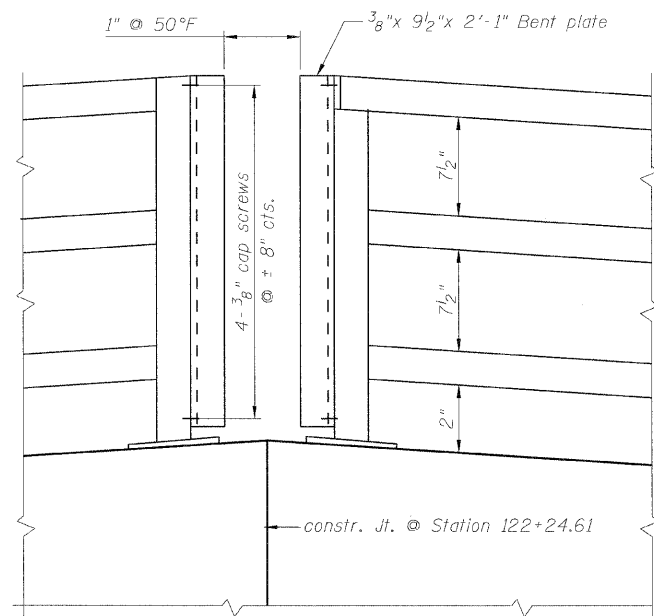
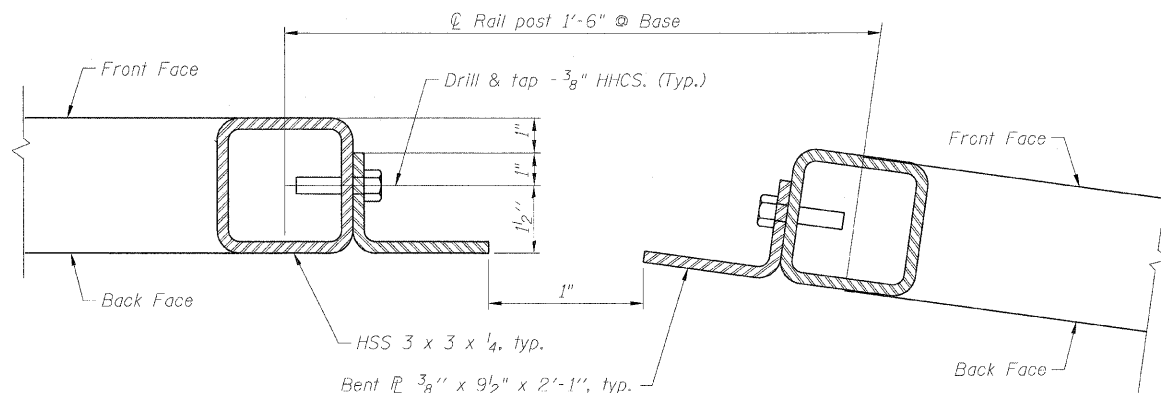


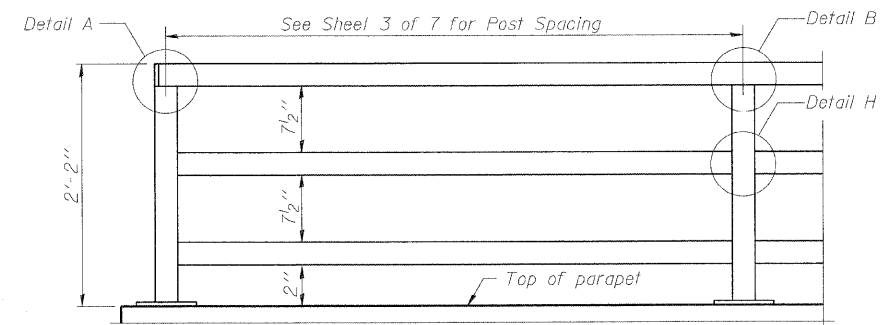
STATE OF ILLINOIS
DEPARTMENT OF TRANSPORTATION



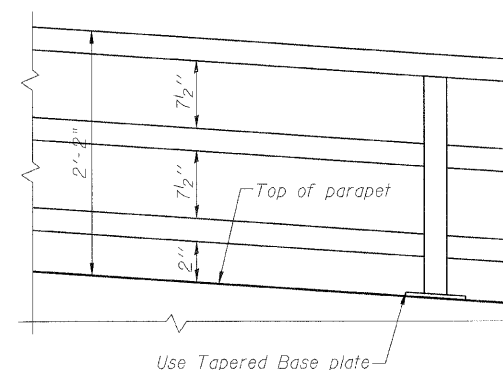
ELEVATION
Station 122+24.61



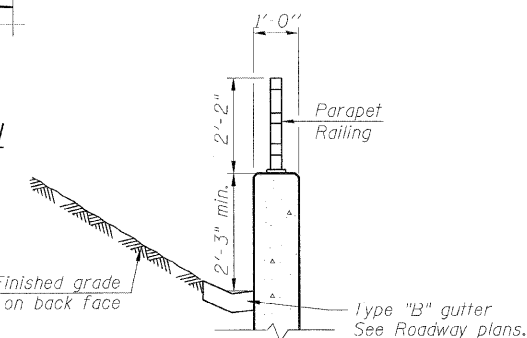
PLAN
Station 122+24.61



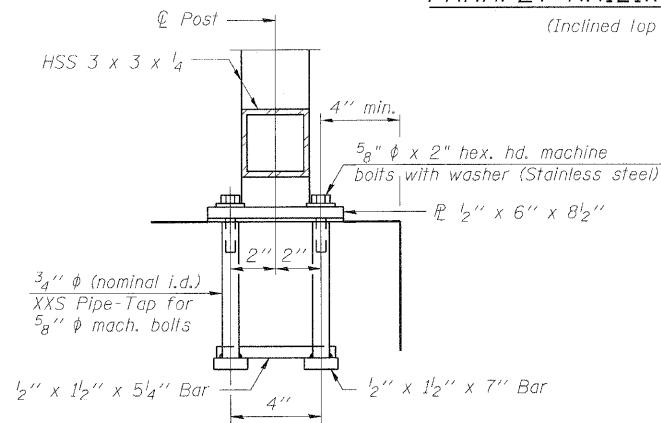
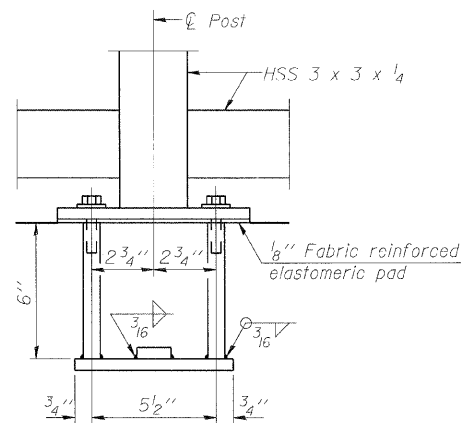
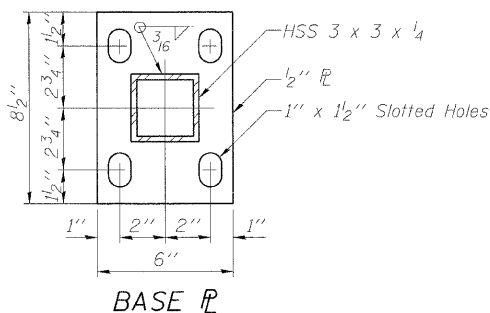
PARAPET RAILING ELEVATION
(Inside Face of Three Element Rail)



PARAPET RAILING ELEVATION
(Inclined top of wall)



SECTION THRU PARAPET

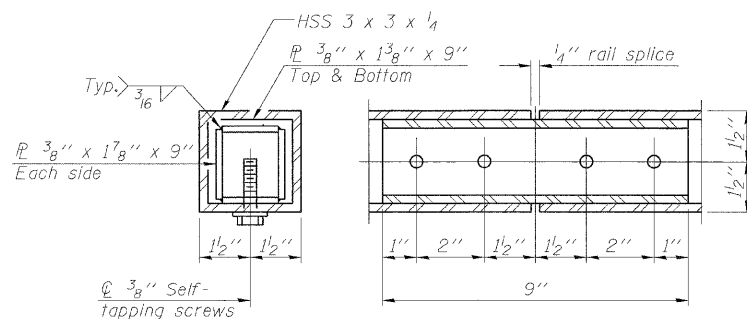


ANCHOR BOLT DETAILS

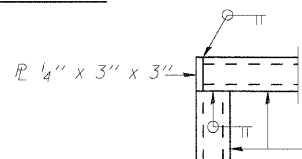
In lieu of the cast-in-place anchor device shown, the Contractor has the option of drilling and setting 5/8" φ anchor rods according to Article 509.06 of the Standard Specifications. Embedment shall be according to the manufacturer's specifications.

NOTE: All steel railing elements shall be galvanized according to article 509.05 of the Standard Specifications.

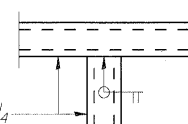
HHCS designates Hexagonal head cap screws
HHS designates hollow structural section.



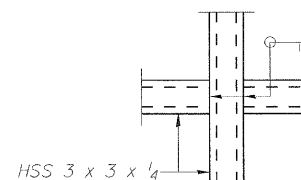
RAIL SPLICE



DETAIL A



DETAIL B



DETAIL H

DESIGNED - KRG
CHECKED - MJK
DRAWN - GSJ
CHECKED - MJK

BILL OF MATERIAL

Item	Unit	Quantity
Parapet Railing	Foot	92

PARAPET RAILING

SHEET NO. 6	F.A.P. RTE.	SECTION	COUNTY	TOTAL SHEETS	SHEET NO.
7 SHEETS	600	60-(30,31,128)-1	Madison	399	271
RETAINING WALL 2			CONTRACT NO. 76830		
FED. ROAD DIST. NO. ILLINOIS FED. AID PROJECT					