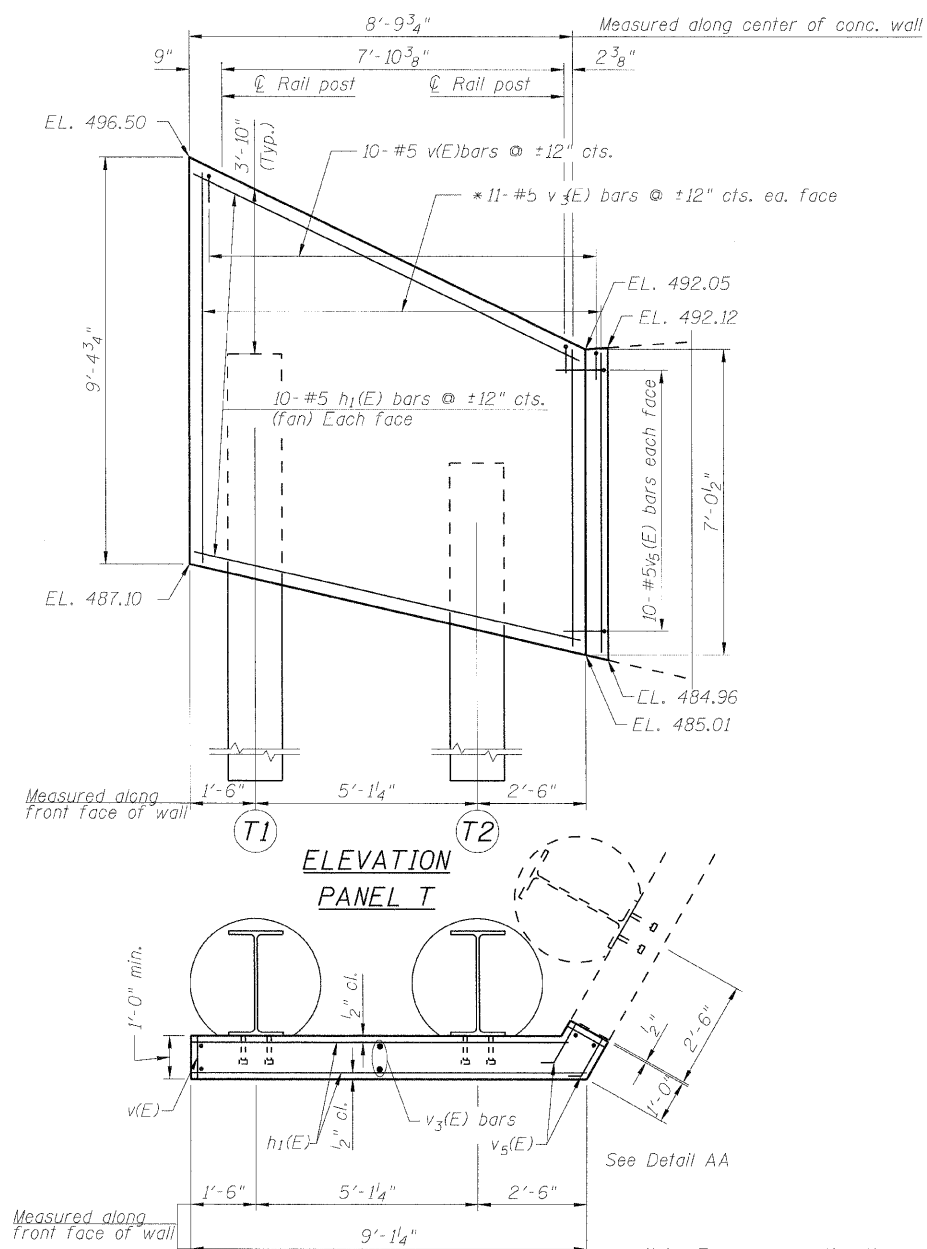


STATE OF ILLINOIS
DEPARTMENT OF TRANSPORTATION

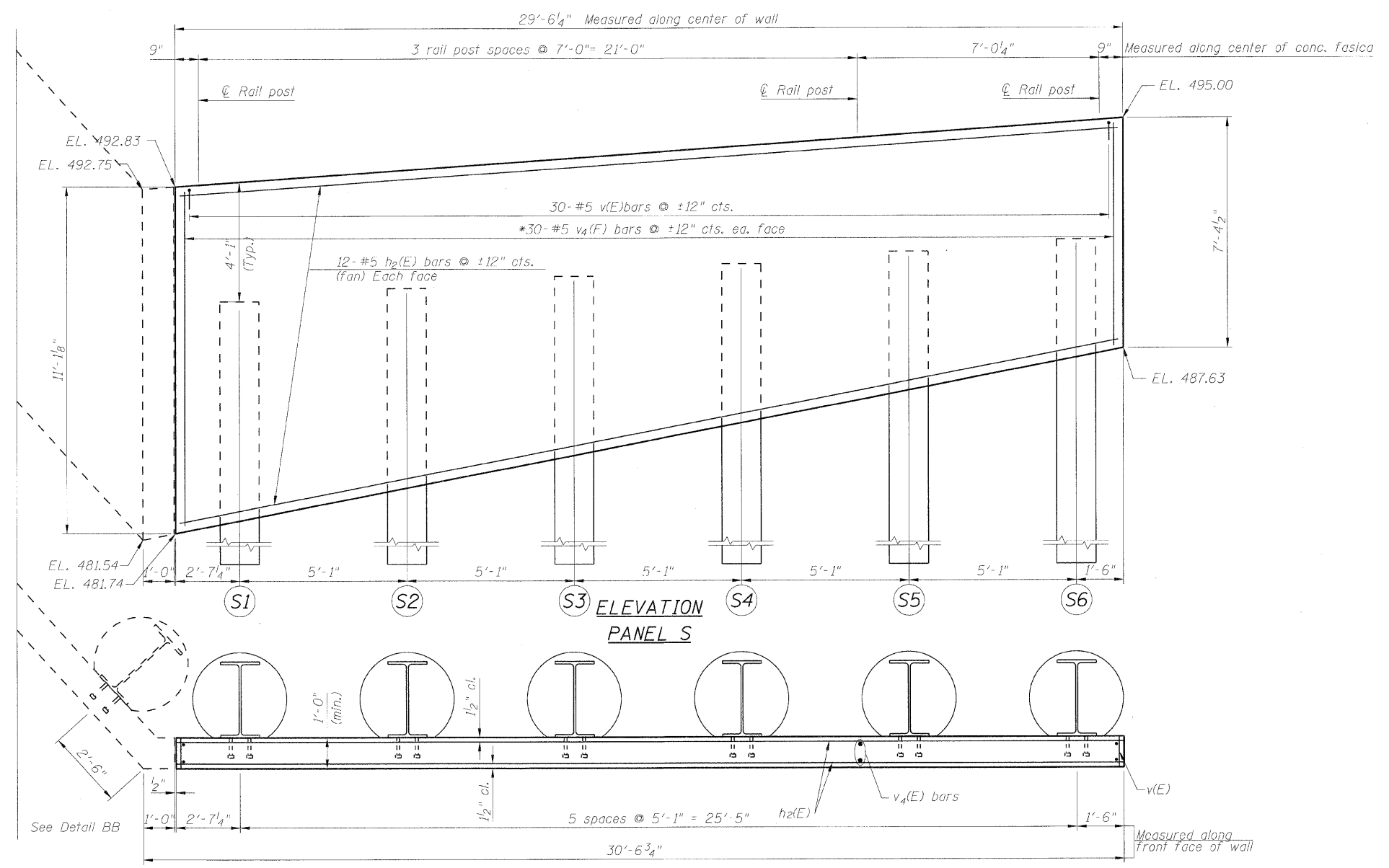


ELEVATION
PANEL T

PLAN
PANEL T

Note: For cross section thru panels, Soldier pile data & Bill of Material See. sht. 5 & 6 of 8. For details AA & BB see sht. 6 of 8.

Bars indicated thus 20 x 3-#5 etc. indicates 20 lines of bars with 3 lengths per line.
* order v3(E) or v4(E) bars full length cut to fit as per Bar cutting diagram shown on sht. 6 of 8. Use remainder of bars on the opposite face of the wall.



ELEVATION
PANEL S

PLAN
PANEL S

DESIGNED - KRG
CHECKED - MJK
DRAWN - GSJ
CHECKED - MJK

Rev. MID-AMERICA ENGINEERING SERVICES

PANELS S & T

SHEET NO. 4 8 SHEETS	F.A.P. RTE.	SECTION	COUNTY	TOTAL SHEETS	SHEET NO.
	600	60-(30,31,128)-1	Madison	399	275A
RETAINING WALL 3			CONTRACT NO. 76830		
FED. ROAD DIST. NO. - ILLINOIS FED. AID PROJECT					