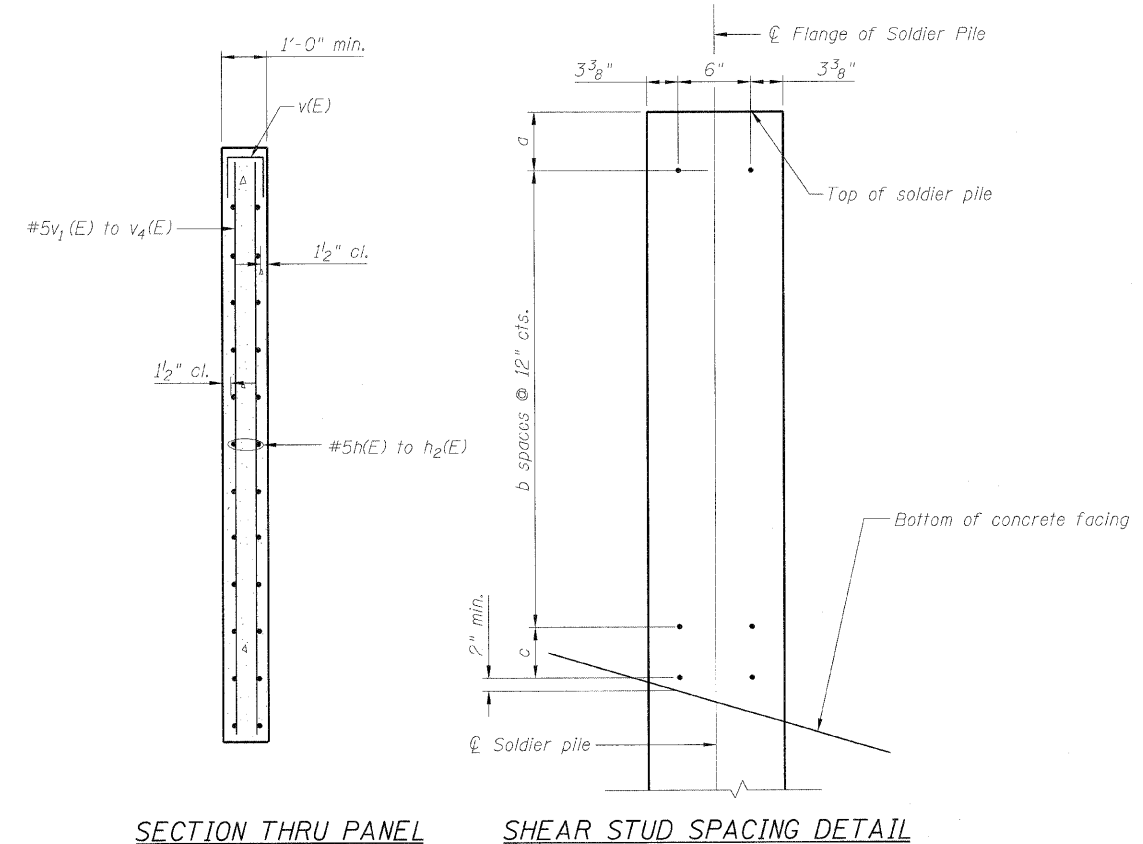


STATE OF ILLINOIS
DEPARTMENT OF TRANSPORTATION

SOLDIER PILE DATA

Panel	Soldier Pile Designations	℄ of Roadway Station	Radial offset to the center of pile	Top of soldier Pile Elevation	Bottom of soldier Pile Elevation	Top of concrete encasement	Top of CLSM	Stud Shearconnectors			
								a	b	c	No. per pile
P	P ₁ W Section	1+70.59	19.25'	488.44	452.00	484.78	487.94	3"	3	0"	8
	P ₂ W Section	1+65.78	19.25'	488.71	452.00	484.58	488.21	3"	3	8"	10
	P ₃ W Section	1+60.97	19.25'	488.98	453.00	484.38	488.48	3"	4	0"	10
	P ₄ W Section	1+56.16	19.25'	489.25	453.00	484.17	488.75	3"	4	7"	12
	P ₅ W Section	1+51.35	19.25'	489.53	453.00	483.97	489.03	3"	5	0"	12
R	R ₁ W Section	1+46.38	19.25'	489.59	453.00	483.55	489.09	3"	5	7"	14
	R ₂ W Section	1+41.30	19.25'	489.44	453.00	483.07	488.94	3"	5	10"	14
	R ₃ W Section	1+36.22	19.25'	489.30	453.00	482.59	488.80	3"	6	0"	14
	R ₄ W Section	1+31.15	19.25'	489.15	453.00	482.12	488.65	3"	6	6"	16
	R ₅ W Section	1+26.07	19.25'	489.00	453.00	481.64	488.50	3"	6	10"	16
S	S ₁ W Section	-	-	489.14	453.00	481.86	488.67	3"	6	8"	16
	S ₂ W Section	-	-	489.52	453.00	482.89	489.02	3"	6	0"	14
	S ₃ W Section	-	-	489.90	454.00	483.92	489.40	3"	5	4"	14
	S ₄ W Section	-	-	490.29	454.00	484.95	489.79	3"	4	9"	12
	S ₅ W Section	-	-	490.67	455.00	485.99	490.17	3"	4	0"	10
	S ₆ W Section	-	-	491.04	455.00	487.02	490.55	3"	3	5"	10
T	T ₁ W Section	-	-	491.94	456.00	486.41	491.44	3"	4	11"	12
	T ₂ W Section	-	-	489.44	454.00	485.24	488.94	3"	3	7"	10



SECTION THRU PANEL

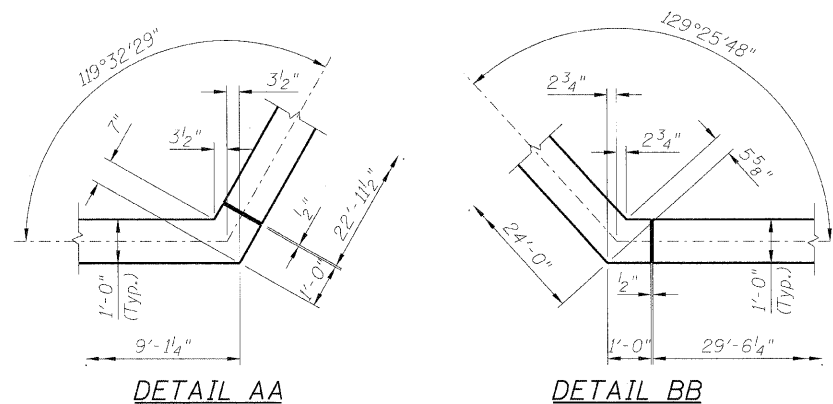
SHEAR STUD SPACING DETAIL

BILL OF MATERIAL

Bar	No.	Size	Length	Shape
h(E)	48	#5	25'-0"	—
h ₁ (E)	20	#5	8'-10"	—
h ₂ (E)	24	#5	29'-2"	—
v(E)	89	#5	2'-2"	⌊
v ₁ (E)	28	#5	15'-10"	—
v ₂ (E)	25	#5	20'-0"	—
v ₃ (E)	11	#5	15'-8"	—
v ₄ (E)	30	#5	17'-10"	—
v ₅ (E)	44	#5	3'-1"	—
Concrete Structures			Cu. Yd.	31.4
Reinforcement Bars (Epoxy coated)			Pound	4230

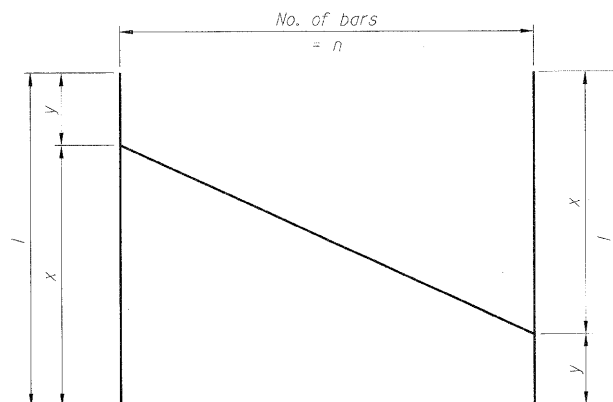
BAR DIMENSIONS

Bar	n	y	x	l
v ₁ (E)	24	6'-8"	9'-2"	15'-10"
v ₂ (E)	25	9'-2"	10'-10"	20'-0"
v ₃ (E)	11	6'-8"	9'-0"	15'-8"
v ₄ (E)	30	7'-0"	10'-10"	17'-10"



DETAIL AA

DETAIL BB



BAR CUTTING DIAGRAM
(v₁(E) to v₄(E) bars)

BARS v(E)

SOLDIER PILE WALL DATA

SHEET NO. 6 8 SHEETS	F.A.P. RTE. 600	SECTION 60-(30,31,128)-1	COUNTY Madison	TOTAL SHEETS 399	SHEET NO. 277
	RETAINING WALL 3			CONTRACT NO. 76830	
FED. ROAD DIST. NO. - ILLINOIS FED. AID PROJECT					

DESIGNED - KRG
CHECKED - MJK
DRAWN - GSJ
CHECKED - MJK

MID-AMERICA ENGINEERING SERVICES