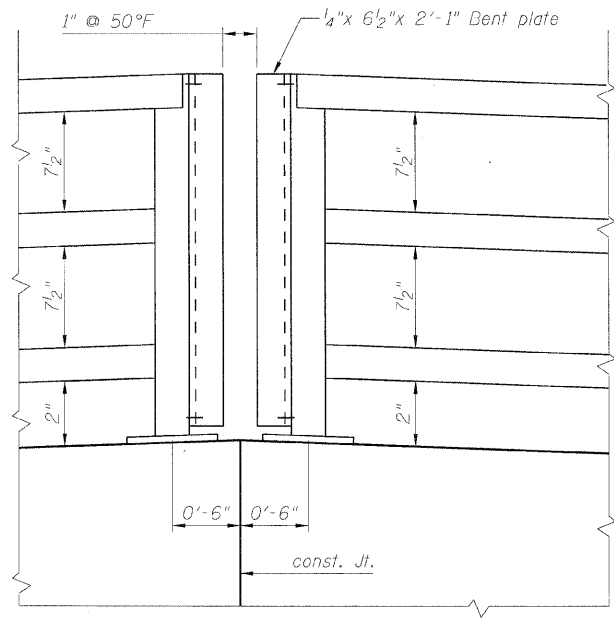
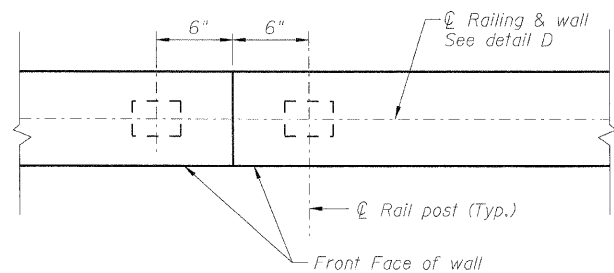


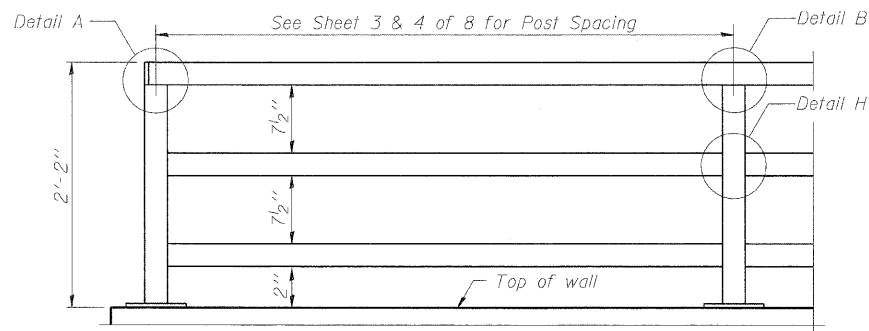
STATE OF ILLINOIS
DEPARTMENT OF TRANSPORTATION



ELEVATION

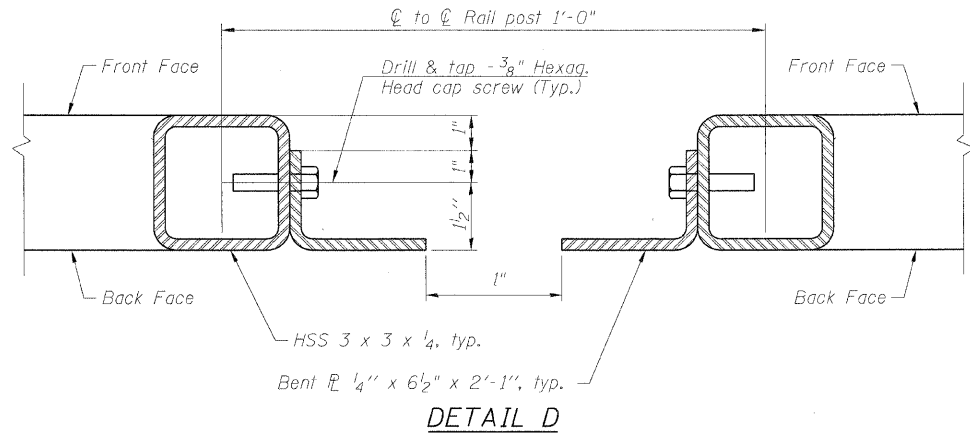


PLAN
DETAIL CC

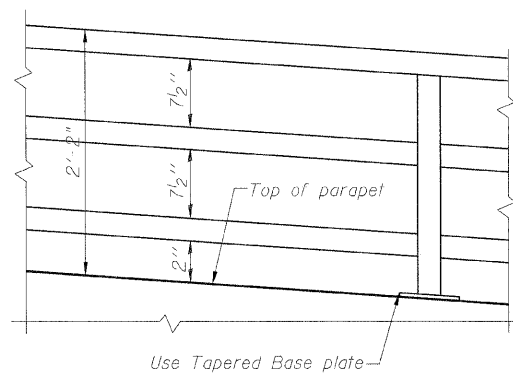


PARAPET RAILING
ELEVATION
(Inside Face of Three Element Rail)

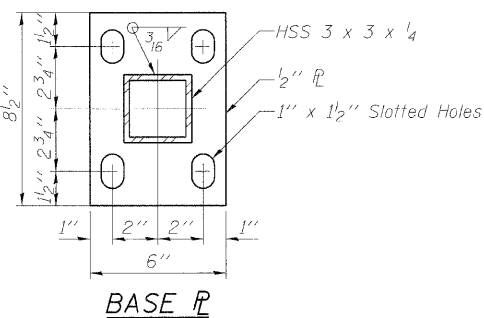
DESIGNED - KRG
CHECKED - MJK
DRAWN - GSJ
CHECKED - MJK



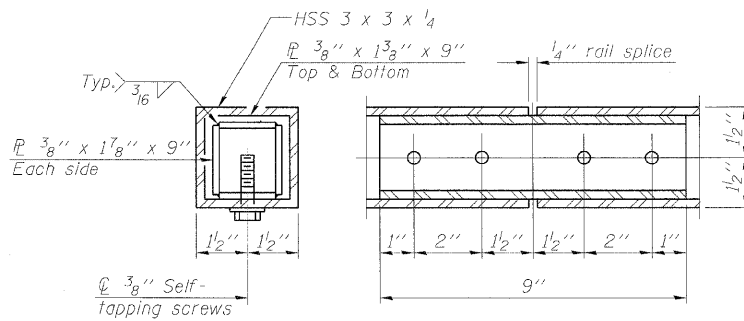
DETAIL D



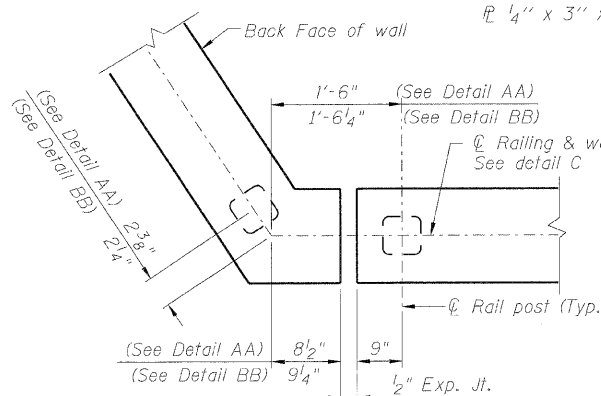
PARAPET RAILING ELEVATION
(Inclined top of wall)



BASE R



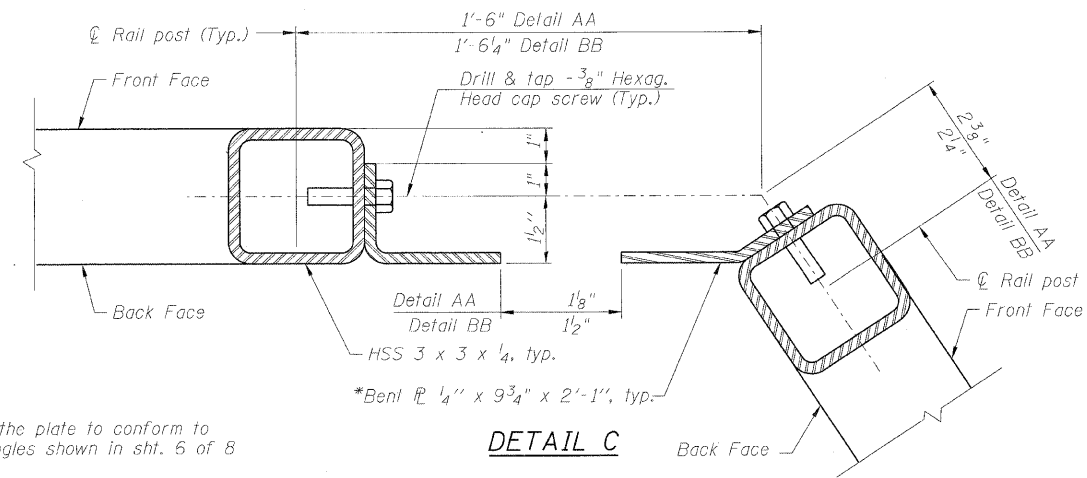
RAIL SPLICE



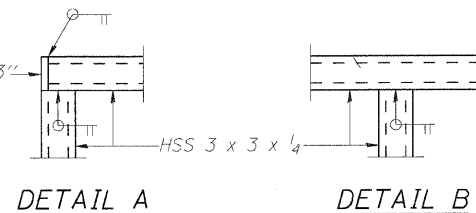
PLAN

Wall corner configuration Details AA & BB

Note: Fabricate Railing on top of wall panels P&R to 282'-4 1/2" Radius

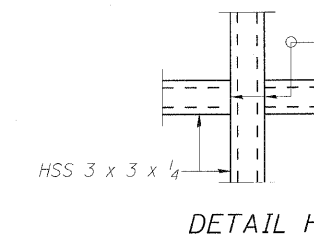


DETAIL C

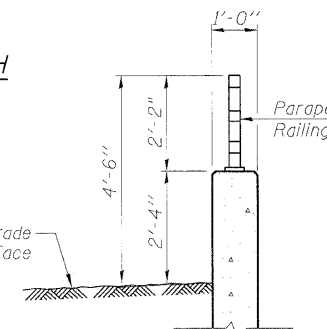


DETAIL A

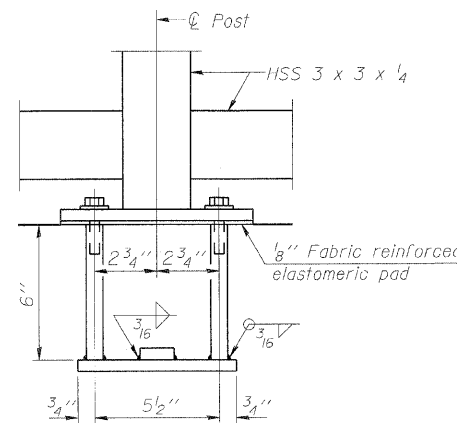
DETAIL B



DETAIL H

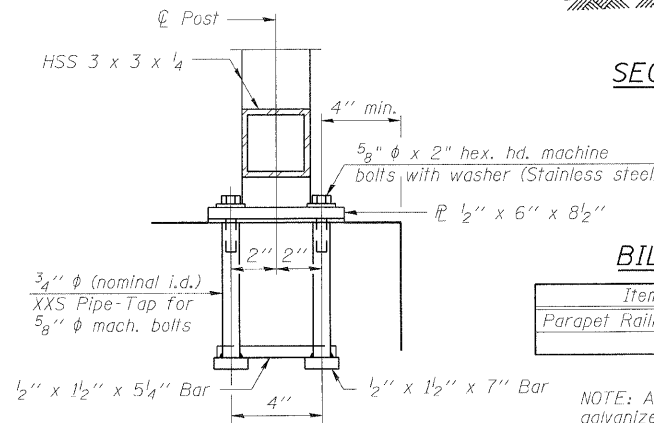


SECTION THRU PARAPET



ANCHOR BOLT DETAILS

In lieu of the cast-in-place anchor device shown, the Contractor has the option of drilling and setting 5/8" diameter anchor rods according to Article 509.06 of the Standard Specifications. Embedment shall be according to the manufacturer's specifications.



BILL OF MATERIAL

Item	Unit	Quantity
Parapet Railing	Foot	86

NOTE: All steel railing elements shall be galvanized according to article 509.05 of the Standard Specifications.

HHCS designates Hexagonal head cap screws
HHS designates hollow structural section.

PARAPET RAILING

SHEET NO. 7 8 SHEETS	F.A.P. RTE.	SECTION	COUNTY	TOTAL SHEETS	SHEET NO.
	600	60-(30,31,128)-1	Madison	399	278
RETAINING WALL 3			CONTRACT NO. 76830		
FED. ROAD DIST. NO. - ILLINOIS FED. AID PROJECT					

MID-AMERICA ENGINEERING SERVICES