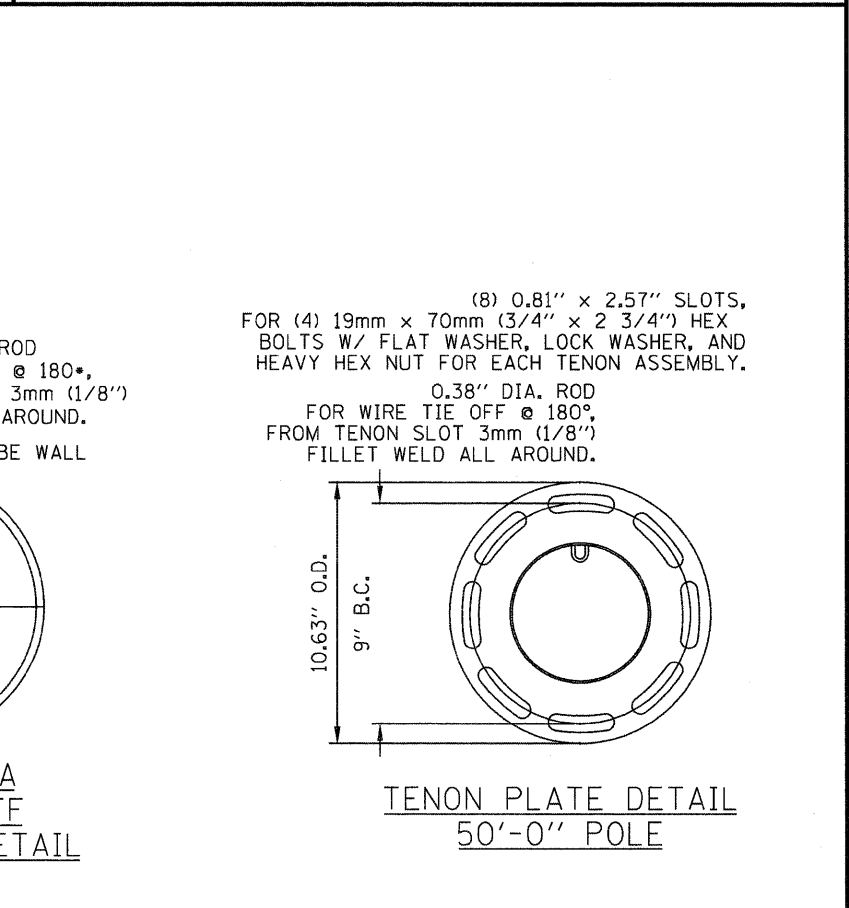
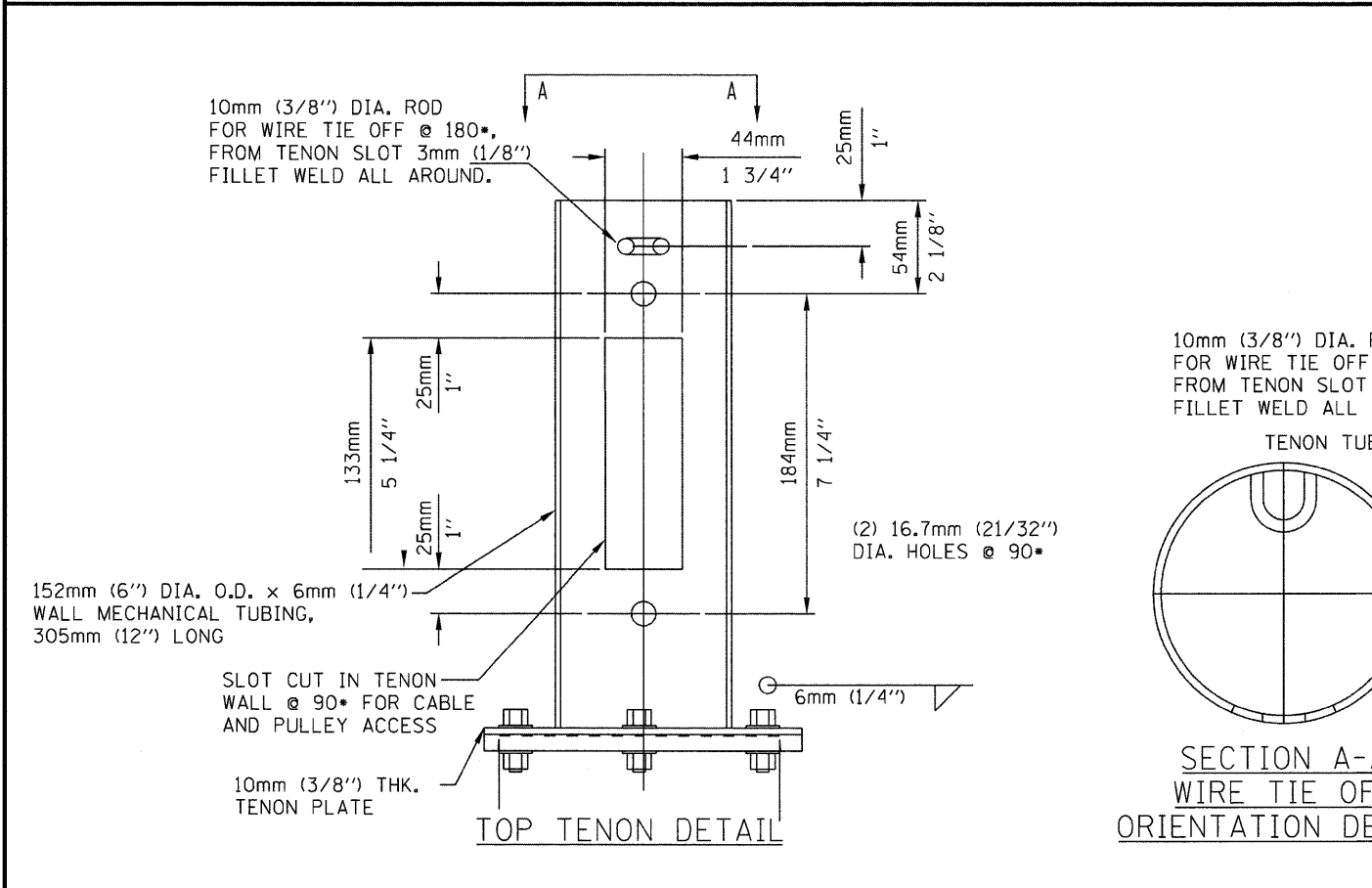
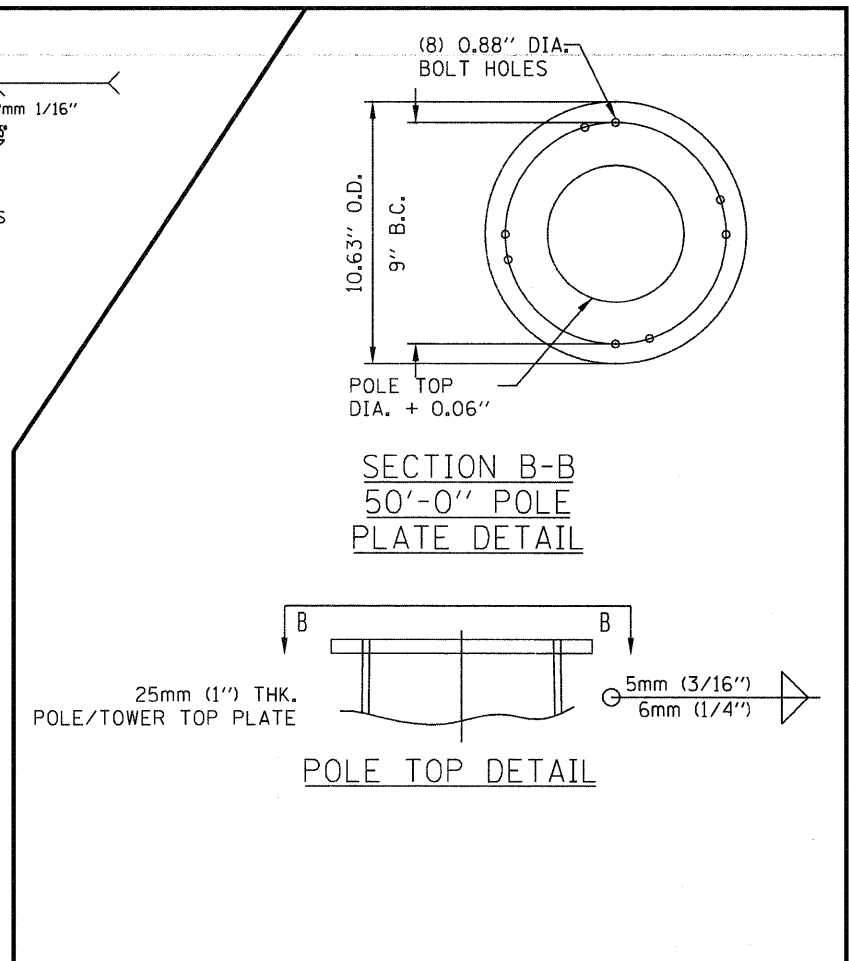
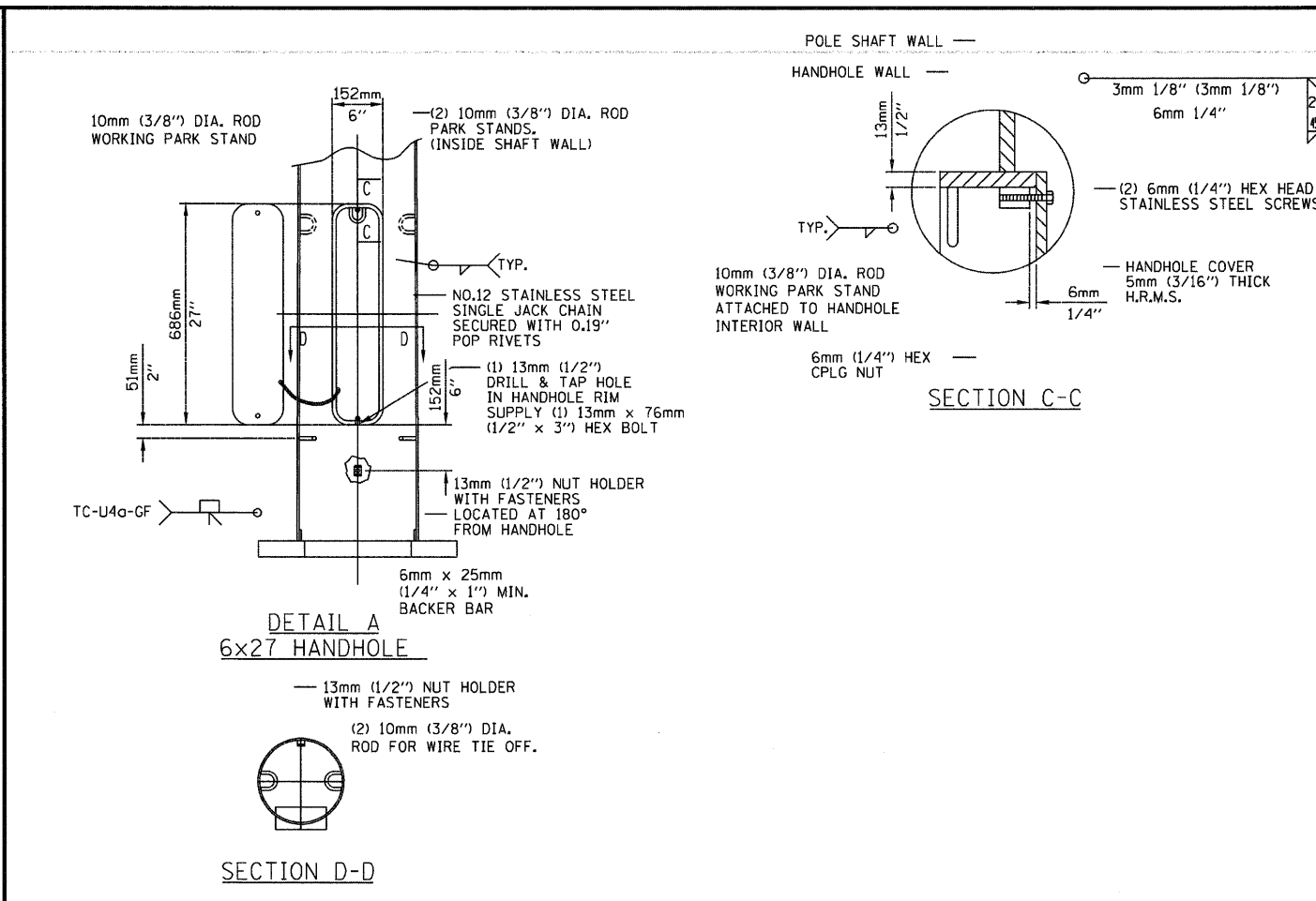


NOTES

1. 50' POLE MATERIALS SHALL BE ACCORDING TO THE APPLICABLE PORTIONS OF SECTION 830 OF THE STANDARD SPECIFICATIONS.
2. MAXIMUM POLE TOP DEFLECTION FOR 30 MPH WIND W/ NO GUSTS SHALL BE 1".



FILE NAME =	USER NAME = prestonne	DESIGNED -	REVISED -	<b>STATE OF ILLINOIS DEPARTMENT OF TRANSPORTATION</b>	<b>POLE MOUNTED CCTV DETAIL WITH CAMERA LOWERING DEVICE</b>	F.A.I. RTE.	SECTION	COUNTY	TOTAL SHEETS	SHEET NO.
ct:\pw_work\period\prestonne\dms67883\d876c36-ahc-1\tsplon.dgn	DRAWN -	REVISED -	64			DIST 8 ITS 2010-1	ST. CLAIR	34	11	
PLOT SCALE = 100.0000 / IN.	CHECKED -	REVISED -	CONTRACT NO. 76C36							
PLOT DATE = 3/14/2010	DATE -	REVISED -	FED. ROAD DIST. NO. [ILLINOIS] FED. AID PROJECT							
SCALE: _____ SHEET NO. ___ OF ___ SHEETS STA. _____ TO STA. _____										