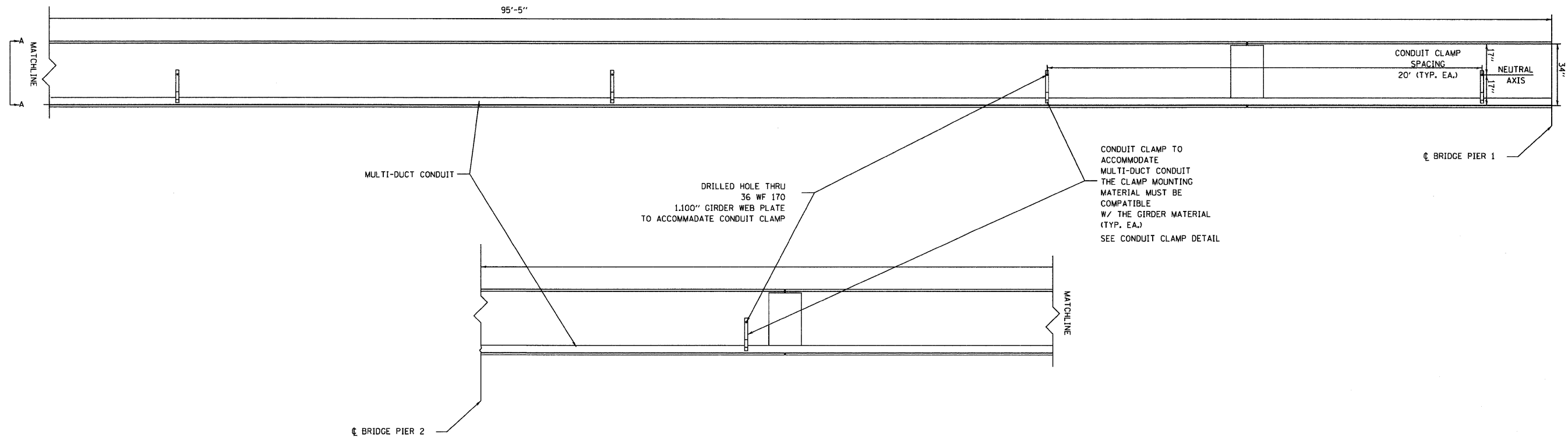
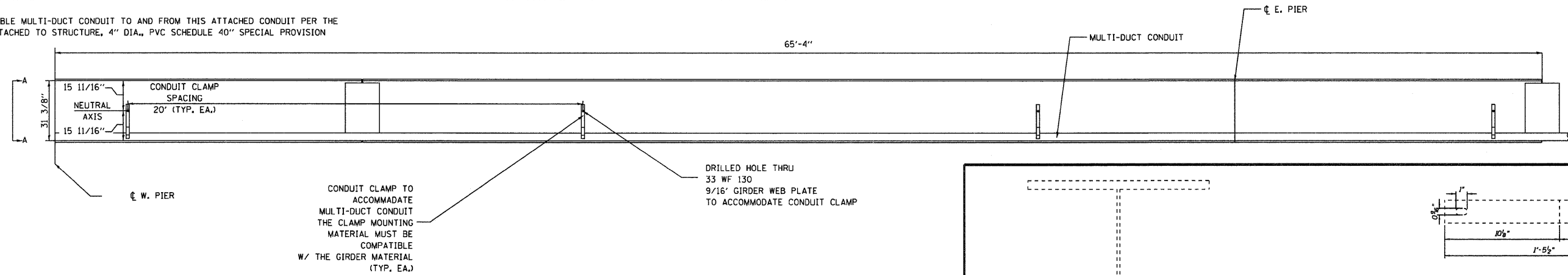


NOTE: ATTACH FLEXIBLE MULTI-DUCT CONDUIT TO AND FROM THIS ATTACHED CONDUIT PER THE "CONDUIT ATTACHED TO STRUCTURE, 4" DIA., PVC SCHEDULE 40" SPECIAL PROVISION

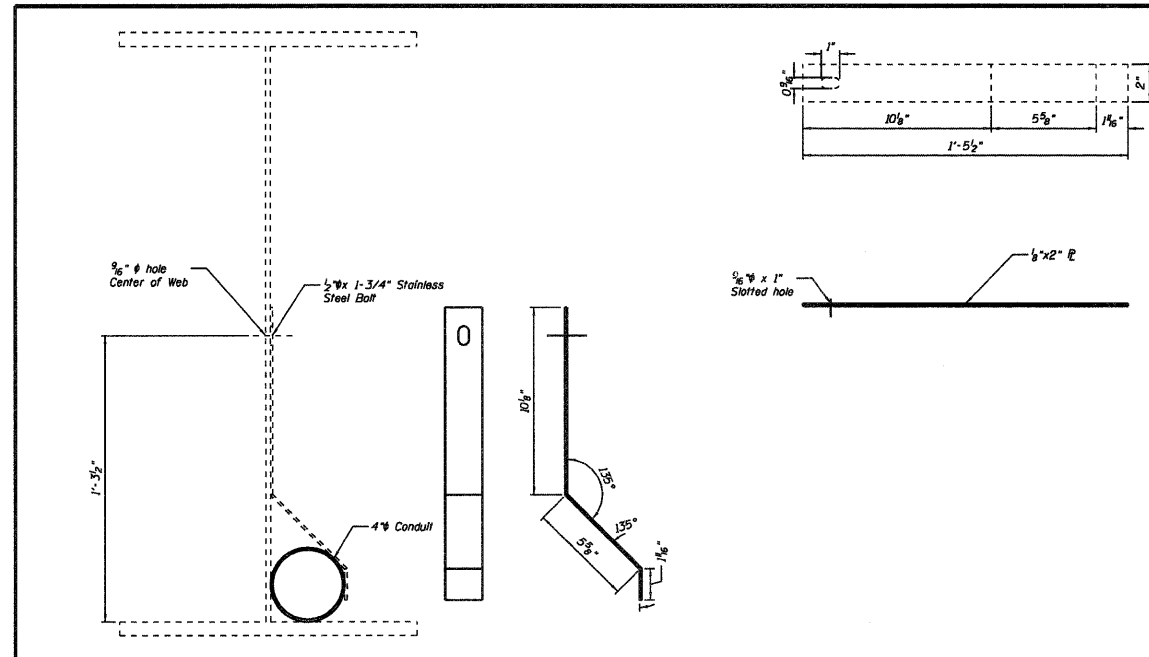


CONDUIT ATTACHED TO STRUCTURE  
OVER RAILROAD AT STA. 98+77.79 (SECTION 82-1VB)  
BETWEEN PIER 1 AND PIER 2

NOTE: ATTACH FLEXIBLE MULTI-DUCT CONDUIT TO AND FROM THIS ATTACHED CONDUIT PER THE "CONDUIT ATTACHED TO STRUCTURE, 4" DIA., PVC SCHEDULE 40" SPECIAL PROVISION



CONDUIT ATTACHED TO STRUCTURE  
OVER RAILROAD AT STA. 105+90.21 (SECTION 82-1VB-1)  
BETWEEN W. PIER AND E. PIER



|  |                             |            |          |
|--|-----------------------------|------------|----------|
| FILE NAME =  | USER NAME = prestone        | DESIGNED - | REVISD - |
| ct:\pw_work\predit\prestone\dms67883\d876c36-sh-t:itspln.dgn |                             | DRAWN -    | REVISD - |
|  | PLOT SCALE = 100.0000 / IN. | CHECKED -  | REVISD - |
|  | PLOT DATE = 3/14/2010       | DATE -     | REVISD - |

STATE OF ILLINOIS  
DEPARTMENT OF TRANSPORTATION

MULTI-DUCT CONDUIT INSTALLATION  
OVER RAILROAD TRACKS

|   |                               |                          |                    |                           |                  |                 |              |
|---|-------------------------------|--------------------------|--------------------|---------------------------|------------------|-----------------|--------------|
| SCALE: _____  | SHEET NO. ____ OF ____ SHEETS | STA. _____ TO STA. _____ | F.A.I. RTE. 64     | SECTION DIST 8 ITS 2010-1 | COUNTY ST. CLAIR | TOTAL SHEETS 34 | SHEET NO. 13 |
|   |                               |                          | CONTRACT NO. 76C36 |                           |                  |                 |              |
| FED. ROAD DIST. NO. _____ ILLINOIS FED. AID PROJECT |                               |                          |                    |                           |                  |                 |              |