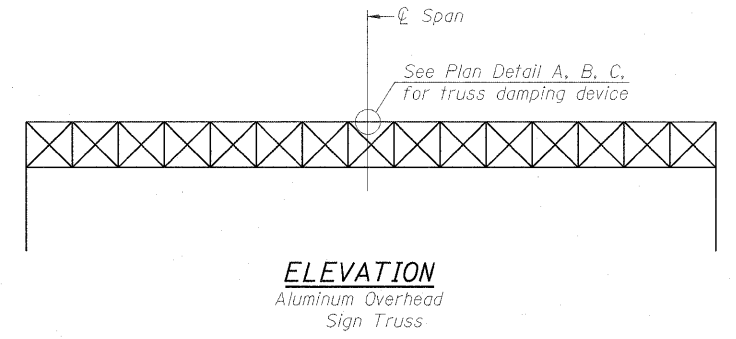
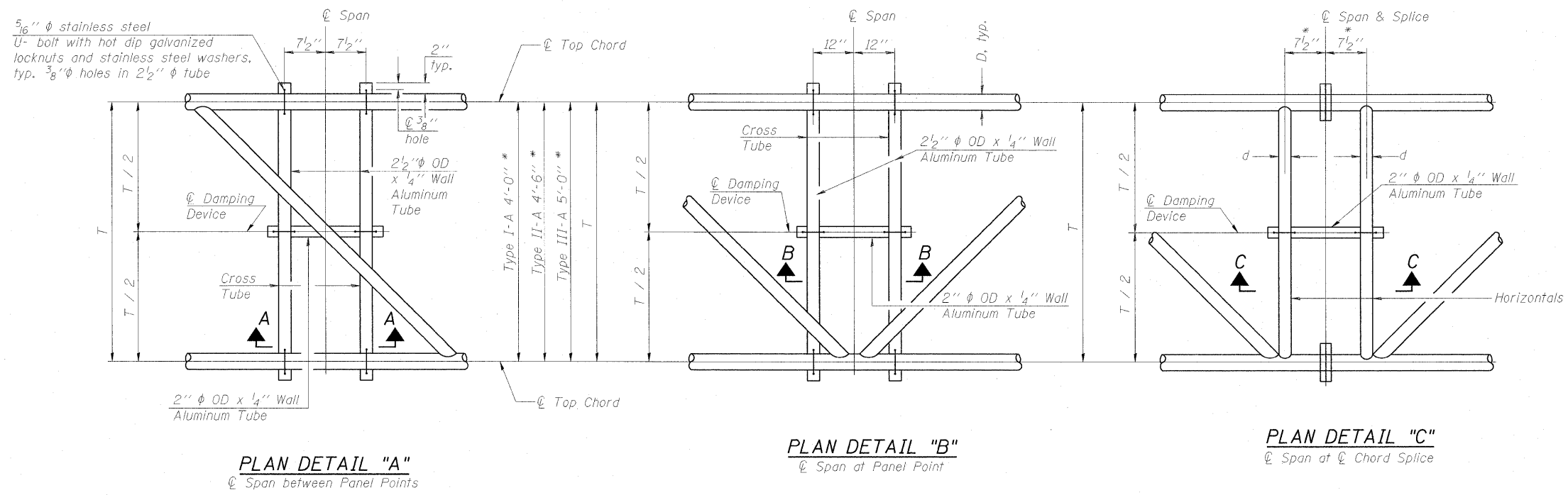


STATE OF ILLINOIS
DEPARTMENT OF TRANSPORTATION

* Center of horizontal to center of splice dimension may vary. Verify before drilling holes in mounting tube.

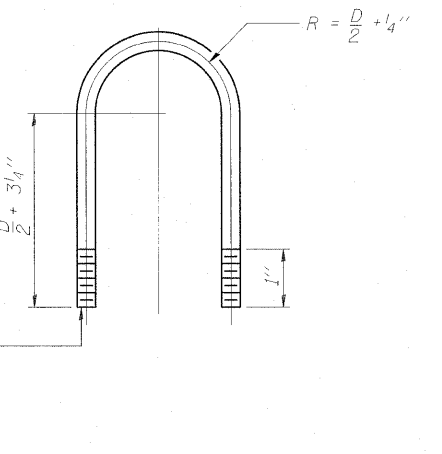
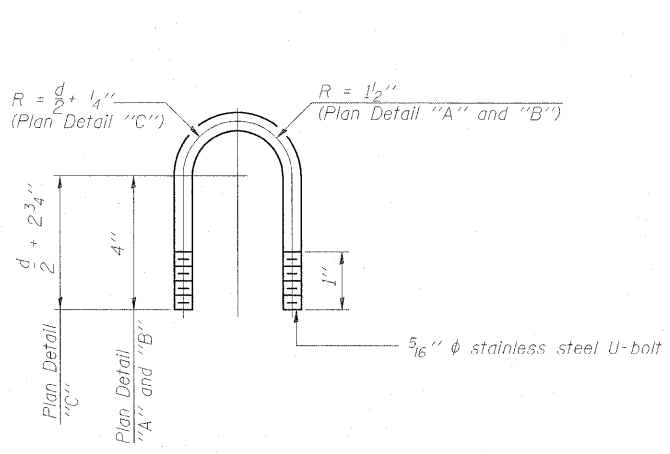
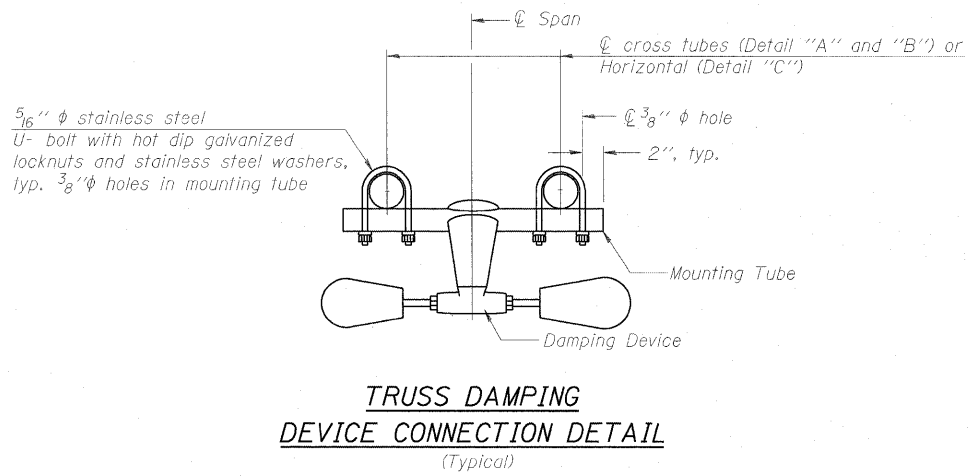
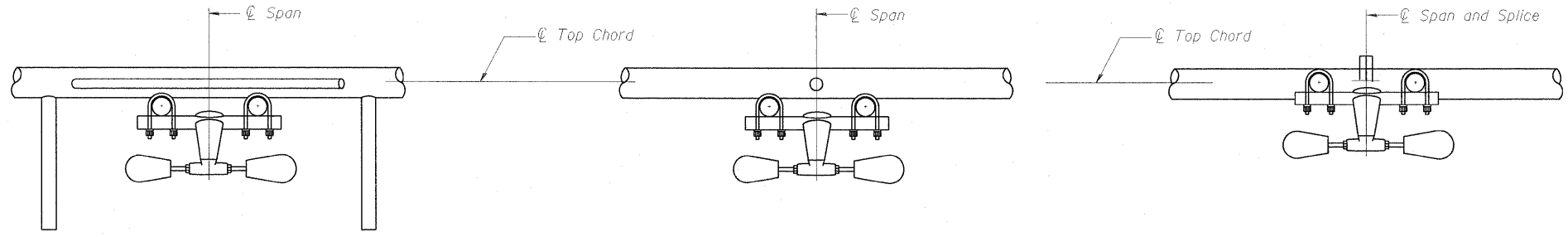


ELEVATION
Aluminum Overhead Sign Truss

NOTES

Damper: One damper per truss. (31 lbs. minimum Stockbridge-Type Aluminum - 29" minimum between ends of weights) Cost included in Overhead Sign Structure...

Materials: Materials: Aluminum tubes shall be ASTM B221 alloy 6061 temper T6. Cost included in Overhead Sign Structure...



DESIGNED TGF	200
CHECKED MPW	EXAMINED
DRAWN TGF	PASSED
CHECKED MPW	ENGINEER OF BRIDGE DESIGN
	ENGINEER OF BRIDGES AND STRUCTURES

OS-A-D 12-1-08

OVERHEAD SIGN STRUCTURE
DAMPING DEVICE

SHEET NO. SHEETS	F.A. RTE.	SECTION	COUNTY	TOTAL SHEETS	SHEET NO.
	64	82-1-2HB	ST. CLAIR	345	158
			CONTRACT NO. 76C49		
FED ROAD DIST. NO.		ILLINOIS		FED. AID PROJECT	