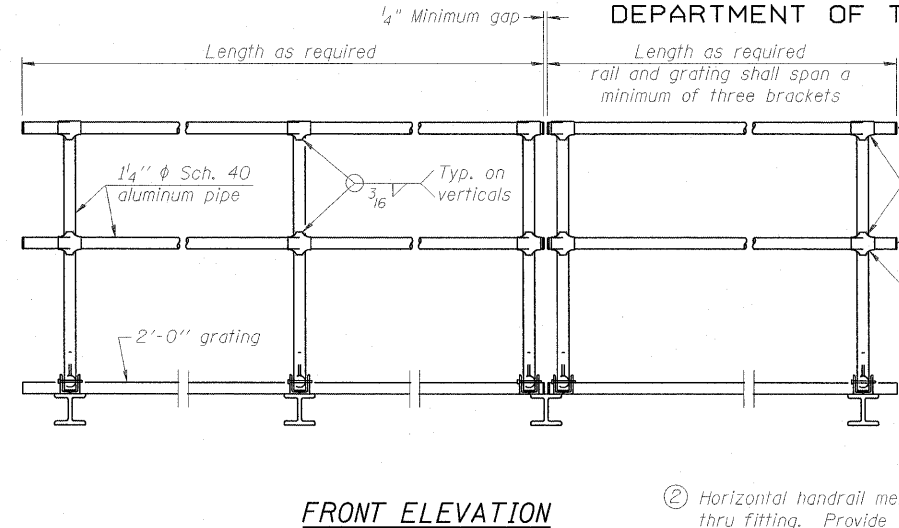
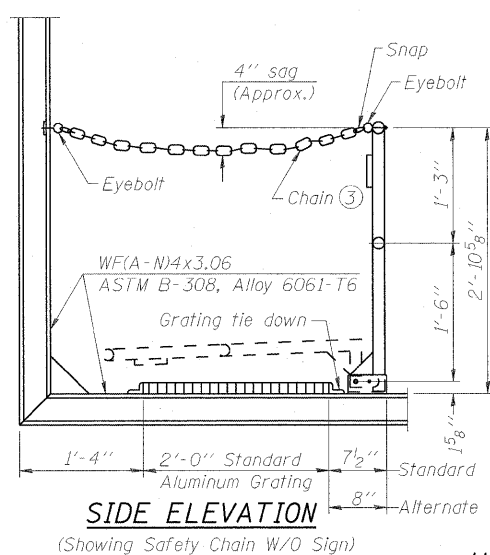


STATE OF ILLINOIS
DEPARTMENT OF TRANSPORTATION



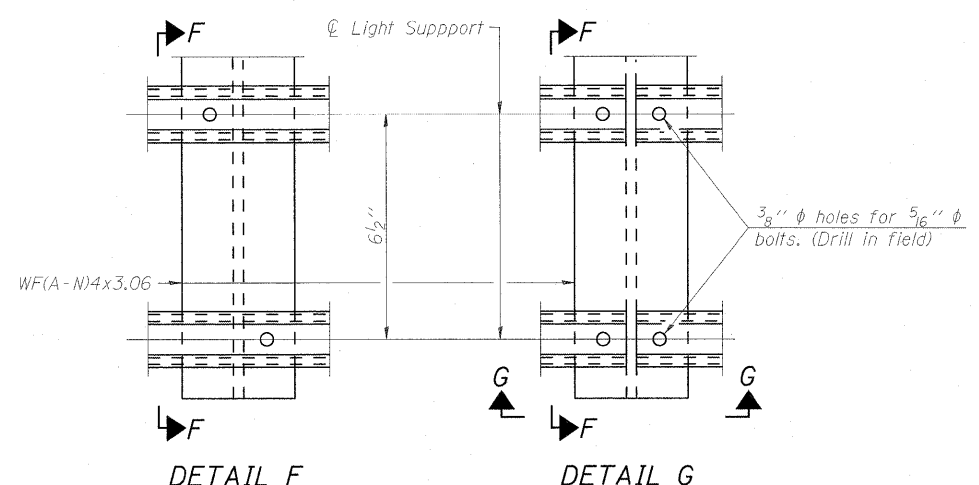
① Install standard force-fit end caps or weld 1/8" end plates with 1/8" c.f.w. and grind smooth. (All rail ends)

Fittings-ASTM B26. Alloy 356-T7 or 1 1/2" aluminum pipe

② Horizontal handrail member shall be continuous thru fitting. Provide 7/16" hole in fitting for 3/8" bolt. Field drill 1/16" hole in horizontal rail member. Provide locknut and two stainless steel washers for bolt. (Use 5/16" eyebolts in 7/16" holes on top rail at ends only.)

HANDRAIL DETAILS

Handrail pipe shall be ASTM B241 or B429, Alloy 6063-T6 or Alloy 6061-T6.

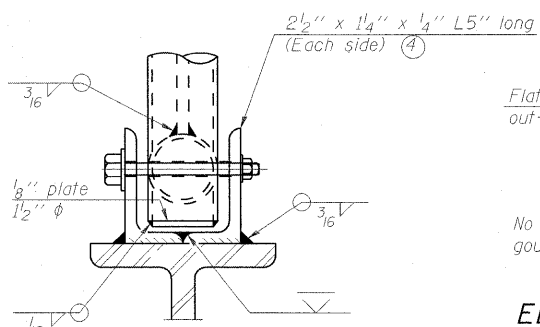
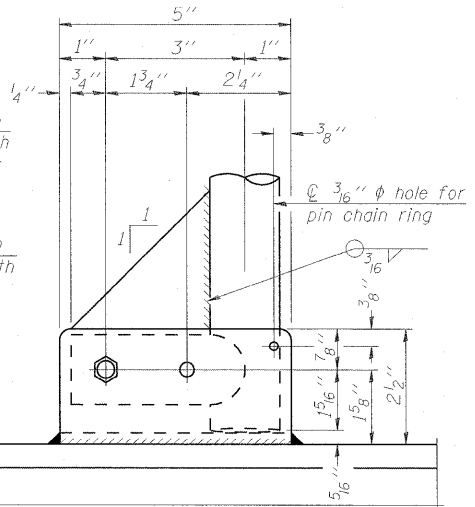
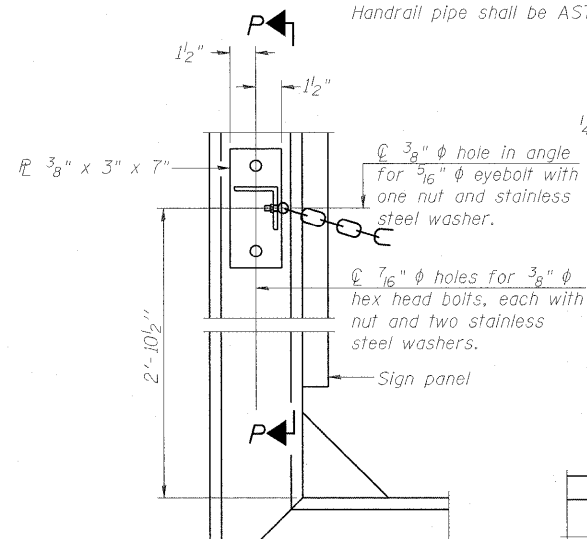


SECTION F-F

SECTION G-G

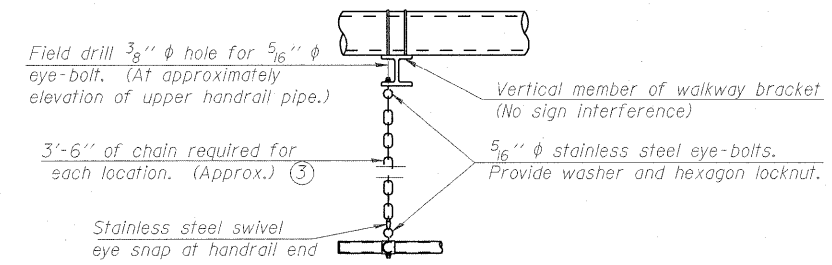
LIGHTING FIXTURE MOUNTS (IF REQUIRED)

⑤ Field cut ends of light support channels shall be free of burrs or hazardous projections and coated with zinc-rich primer or equivalent.



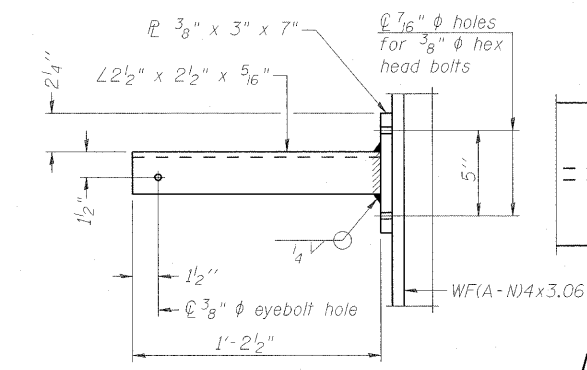
ELEVATION AT HANDRAIL JOINT ④

Details not shown same as "FRONT ELEVATION"

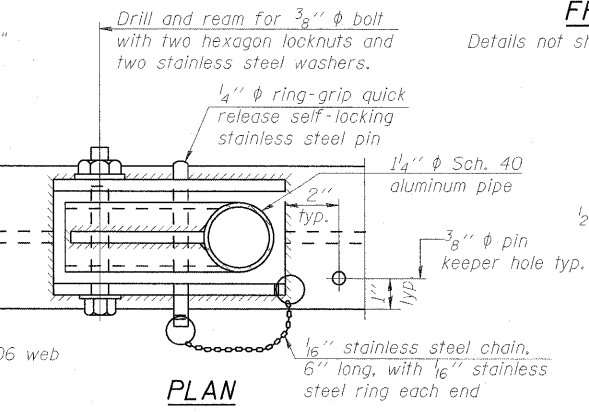


ALTERNATE SAFETY CHAIN ATTACHMENT

(With Sign Present)
Items not shown same as "Side Elevation" of "Handrail Details"

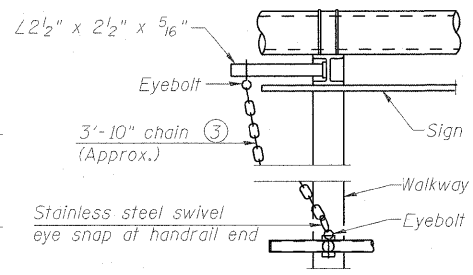


SIDE ELEVATION



FRONT ELEVATION

Details not shown same as "ELEVATION" at right.



ALTERNATE SAFETY CHAIN ATTACHMENT

Details not shown similar to "Safety Chain" Details (Walkway omitted for clarity)

③ 3/16" Type 304L stainless steel chain, approximately 12 links per foot.

④ Extrusions may be used in lieu of the details shown, with approval of the Engineer.

PLAN AT HANDRAIL JOINT

Details not shown same as "PLAN"

**CANTILEVER SIGN STRUCTURES
HANDRAIL DETAILS
ALUMINUM TRUSS & STEEL POST**

DESIGNED TGF	200
CHECKED MPW	EXAMINED
DRAWN TGF	PASSED
CHECKED MPW	ENGINEER OF BRIDGES AND STRUCTURES

NUMBER	REVISION	DATE

OSC-A-8 12-1-08

SHEET NO. 64	SECTION	COUNTY	TOTAL SHEETS	SHEET NO.
	82-1-2HB	ST. CLAIR	345	175
CONTRACT NO. 76C49				
FED ROAD DIST. NO. ILLINOIS FED. AID PROJECT				