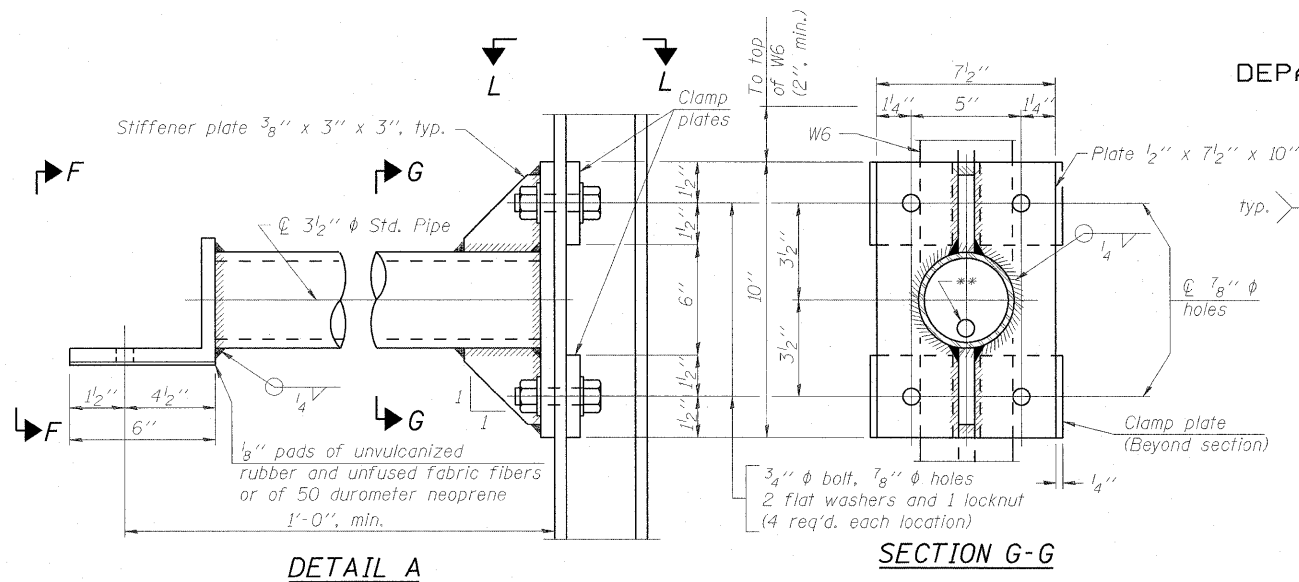
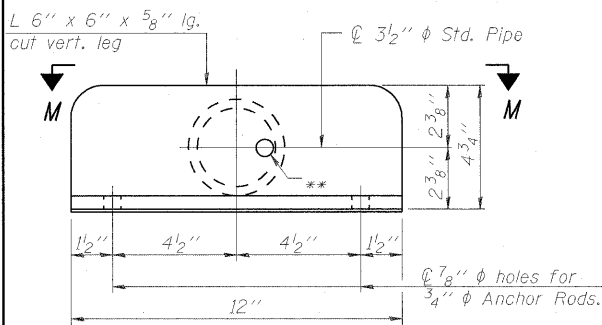


STATE OF ILLINOIS  
DEPARTMENT OF TRANSPORTATION

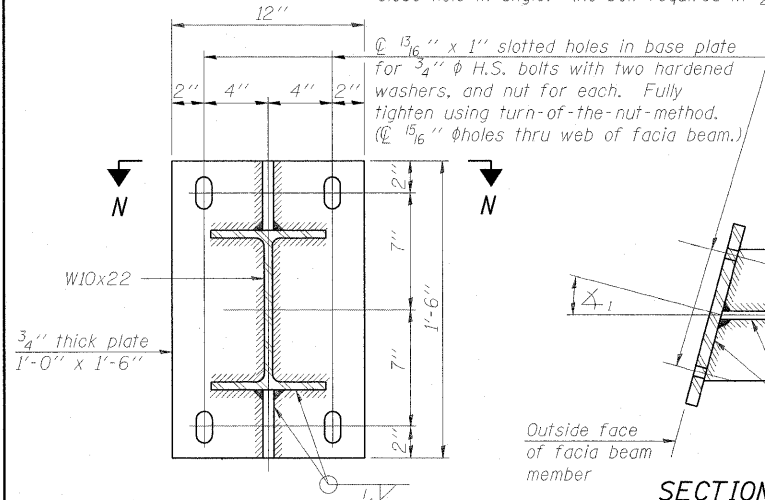


DETAIL A



VIEW F-F

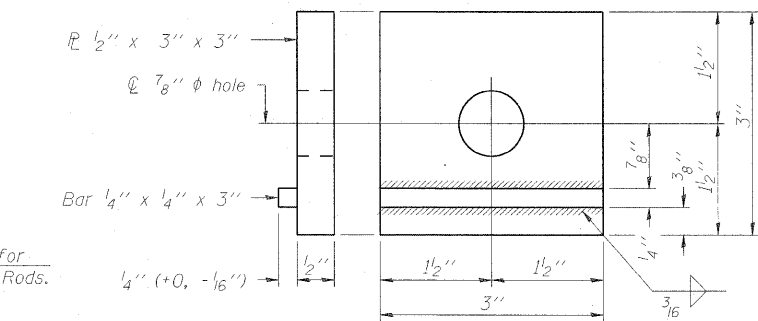
\*\* 13/16" phi holes for galvanizing. After galvanizing, install 7/8" phi A307 hot-dip galvanized bolt to close hole in angle. (No bolt required in 1/2" plate.)



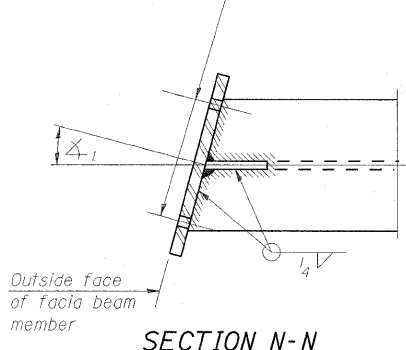
SECTION C-C

Steel beam or girder connection plate details

Note: For constant slab overhang at fascia beam,  $\Delta_1 = \Delta_2 =$  sign angle. For flared beams or other special cases where  $\Delta_1 \neq \Delta_2$ ,  $\Delta_1 =$  sign angle.

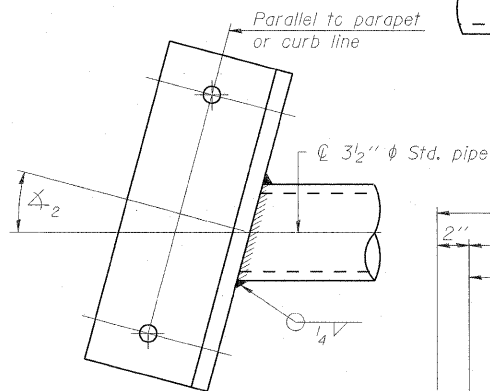


CLAMP PLATE DETAILS



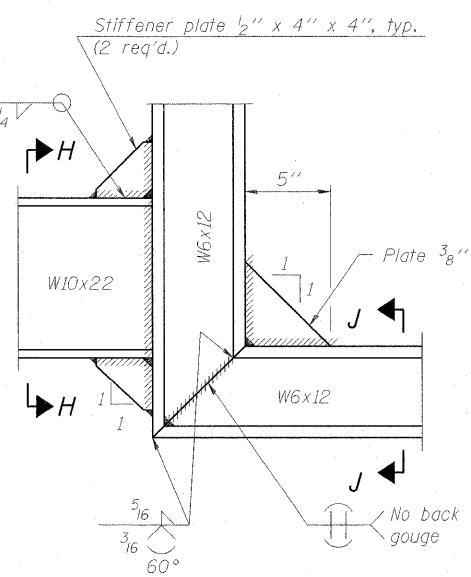
SECTION N-N

Skewed connection detail for W10x22 to fascia beam.

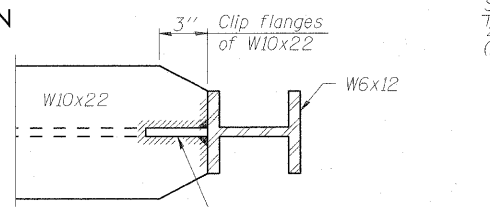


SECTION M-M

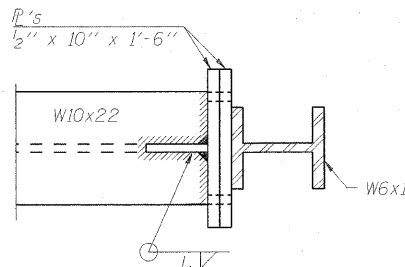
Skewed connection detail for 3/2" phi pipe to parapet.



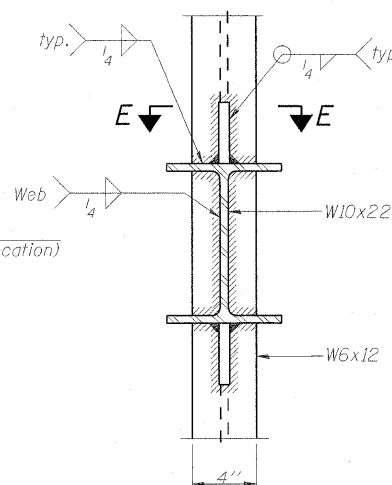
DETAIL B - WELDED W10x22 TO W6x12 CONNECTION



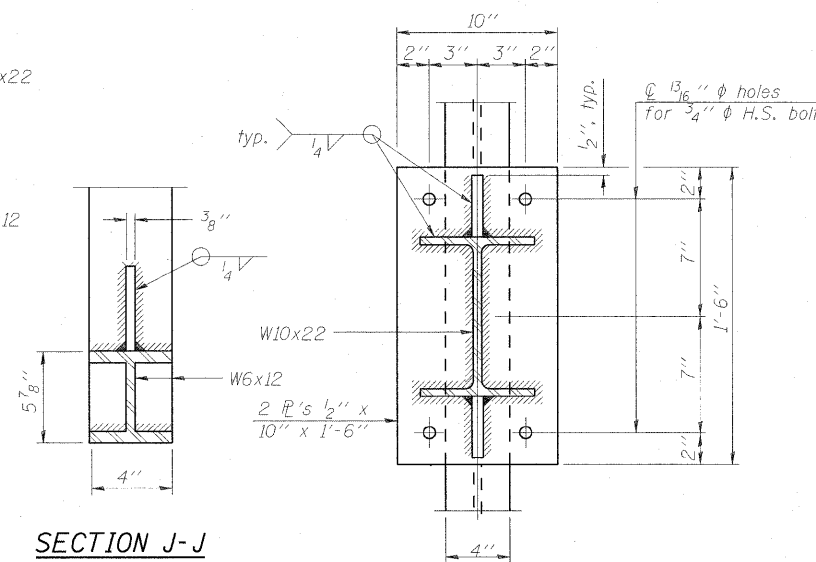
SECTION E-E



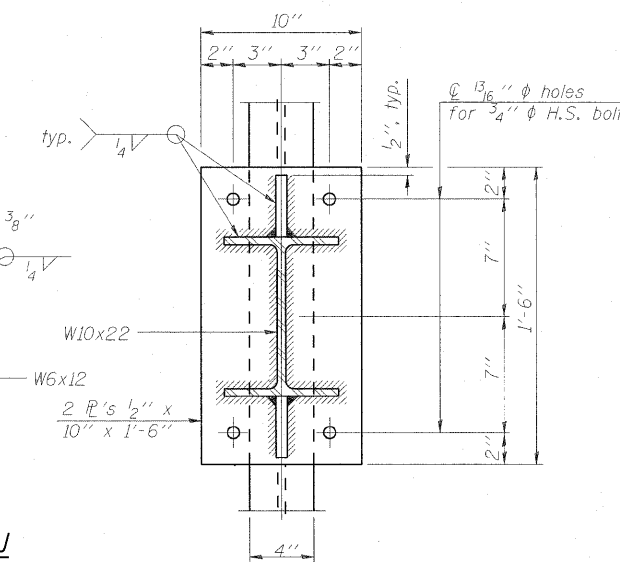
SECTION K-K



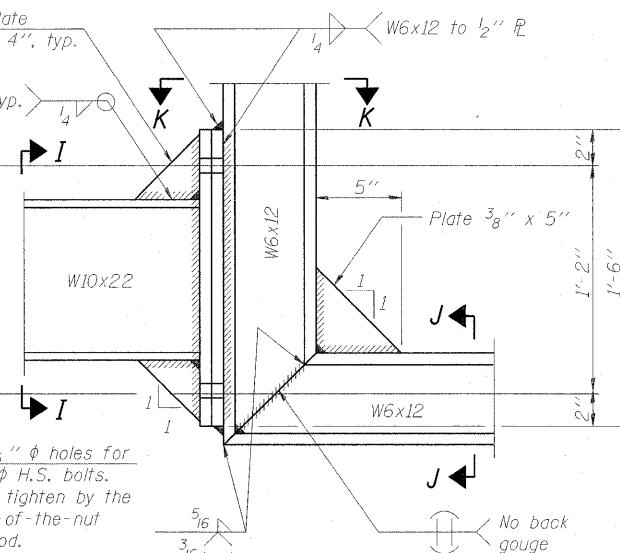
SECTION H-H



SECTION J-J

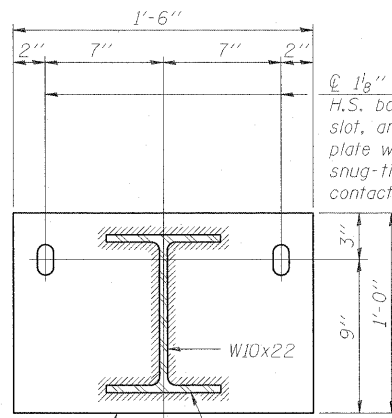


SECTION I-I



DETAIL B - ALTERNATE BOLTED W10x22 TO W6x12 CONNECTION

Alternate may be substituted by contractor to facilitate construction or galvanizing, especially on long struts for skewed bridges.



SECTION D-D

Concrete beam or girder connection plate details.

BRIDGE MOUNT SIGN STRUCTURES  
CONNECTION DETAILS

DESIGNED TGF	200
CHECKED MPW	EXAMINED
DRAWN TGF	PASSED
CHECKED MPW	ENGINEER OF BRIDGES AND STRUCTURES

DESIGNED TGF	200
CHECKED MPW	EXAMINED
DRAWN TGF	PASSED
CHECKED MPW	ENGINEER OF BRIDGES AND STRUCTURES

NUMBER	REVISION	DATE

SHEET NO.	F.A. RTE.	SECTION	COUNTY	TOTAL SHEETS	SHEET NO.
64	82-1-2HB	ST. CLAIR	345	179	CONTRACT NO. 76C49
FED ROAD DIST. NO. ILLINOIS FED. AID PROJECT					