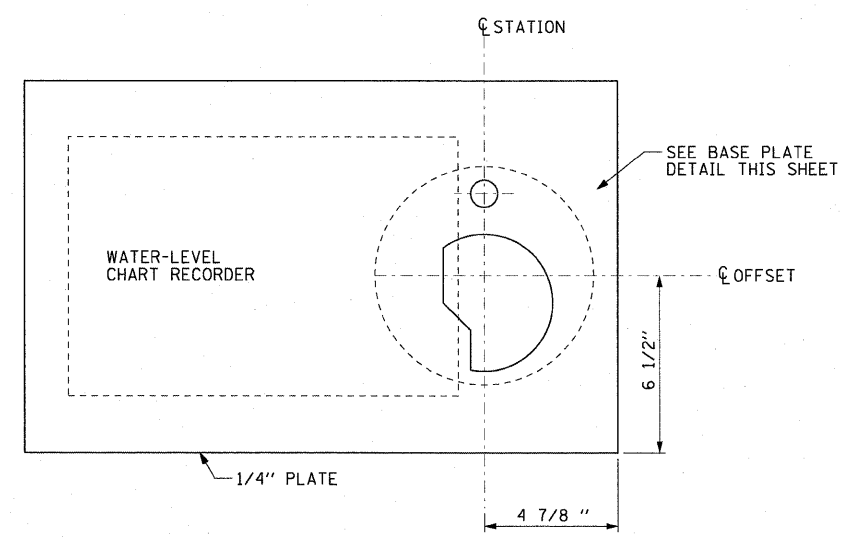
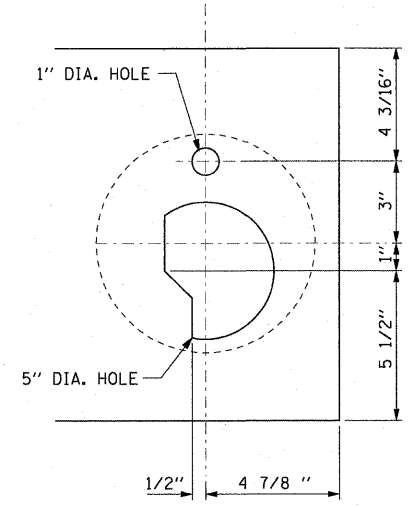


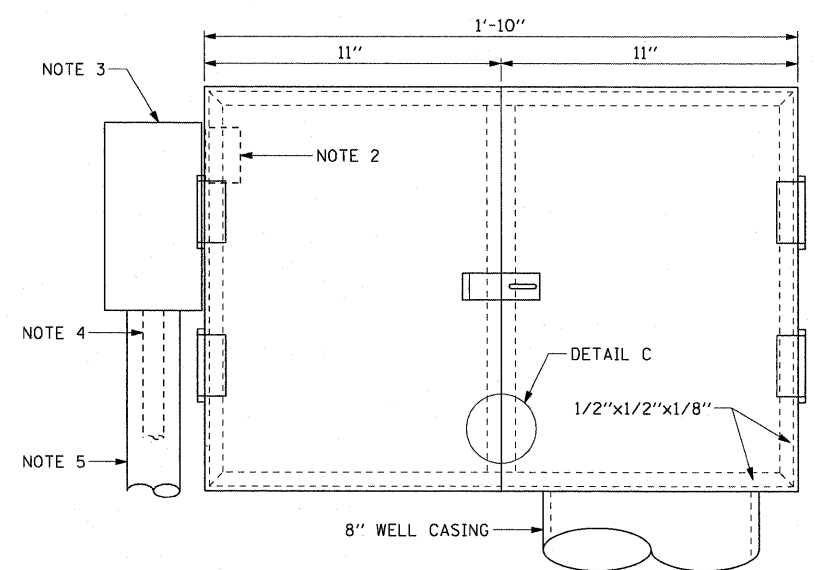
RECORDER WELL NO. 3
(NOT TO SCALE)



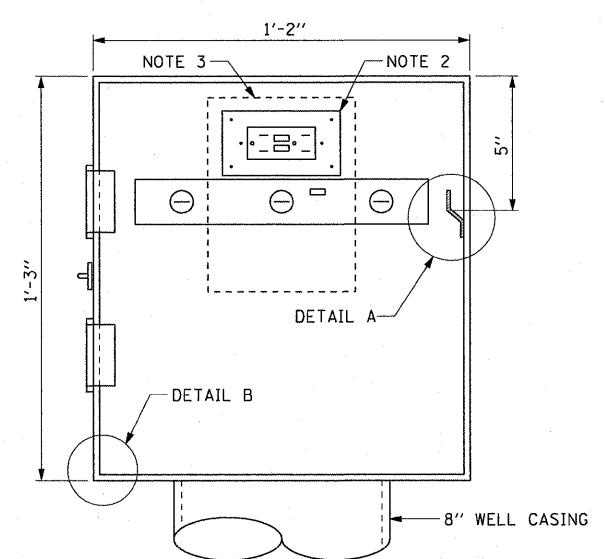
BASE PLATE PLAN
(NOT TO SCALE)



BASE PLATE DETAIL
(NOT TO SCALE)



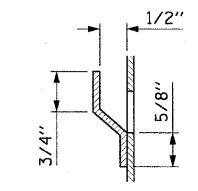
ENCLOSURE ELEVATION
(NOT TO SCALE)



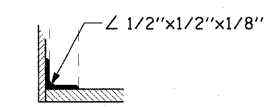
ENCLOSURE SIDE VIEW
(NOT TO SCALE)

- NOTES:
1. CONSTRUCT THE PROPOSED RECORDER WELLS AT THE LOCATIONS INDICATED ON THIS DRAWING. REFER TO SPECIAL PROVISIONS FOR INSTALLATION PROCEDURES.
 2. CAST ALUMINUM OUTDOOR "BELL" BOX WITH 15 AMPERE GROUND FAULT CIRCUIT INTERRUPTER DUPLEX RECEPTACLE OUTLET AND GASKETED CAST COVER PLATE.
 3. STAINLESS STEEL NEMA 4X JUNCTION BOX 6 INCHES WIDE BY 8 INCHES HIGH BY 4 INCHES DEEP. SPLICE POWER FEEDER CONDUCTORS TO NO. 10 AWG CONDUCTORS TO RECEPTACLE OUTLET AND TO NO. 6 AWG GROUNDING ELECTRODE CONDUCTOR. BOND GROUNDING CONDUCTORS TO PULL BOX.
 4. 3/4 INCH DIAMETER RIGID GALVANIZED CONDUIT WITH NO. 6 AWG GROUNDING ELECTRODE CONDUCTOR TO GROUND ROD.
 5. 2 INCH DIAMETER RIGID GALVANIZED CONDUIT FOR POWER FEEDER.
 6. ADAPTER COUPLING AND REDUCER FITTING TO CONNECT UNIT DUCT TO RIGID GALVANIZED CONDUIT.

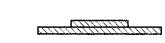
RECORDER WELL NUMBER	STATION	OFFSET
RW NO. 3	1370+00 RAMP A BL	20.0' RT
-	-	-



DETAIL A



DETAIL B



DETAIL C

FILE NAME =	USER NAME = stermrb	DESIGNED JSF	REVISED - 4/15/2010	STATE OF ILLINOIS DEPARTMENT OF TRANSPORTATION	DEEP WELL DETAILS PROPOSED RECORDER WELL	F.A.I. RTE.	SECTION	COUNTY	TOTAL SHEETS	SHEET NO.	
#FILE#	PLOT SCALE = 1/8" = 1' IN.	DRAWN JSF	REVISED -			64	82-1-2HB	ST. CLAIR	345	207	
	PLOT DATE = 4/14/2010	CHECKED JPC	REVISED -			SCALE: NONE		SHEET NO. 1 OF 1 SHEETS		STA. N/A TO STA. N/A	
		DATE 03/19/10	REVISED -			CONTRACT NO. 76C49					