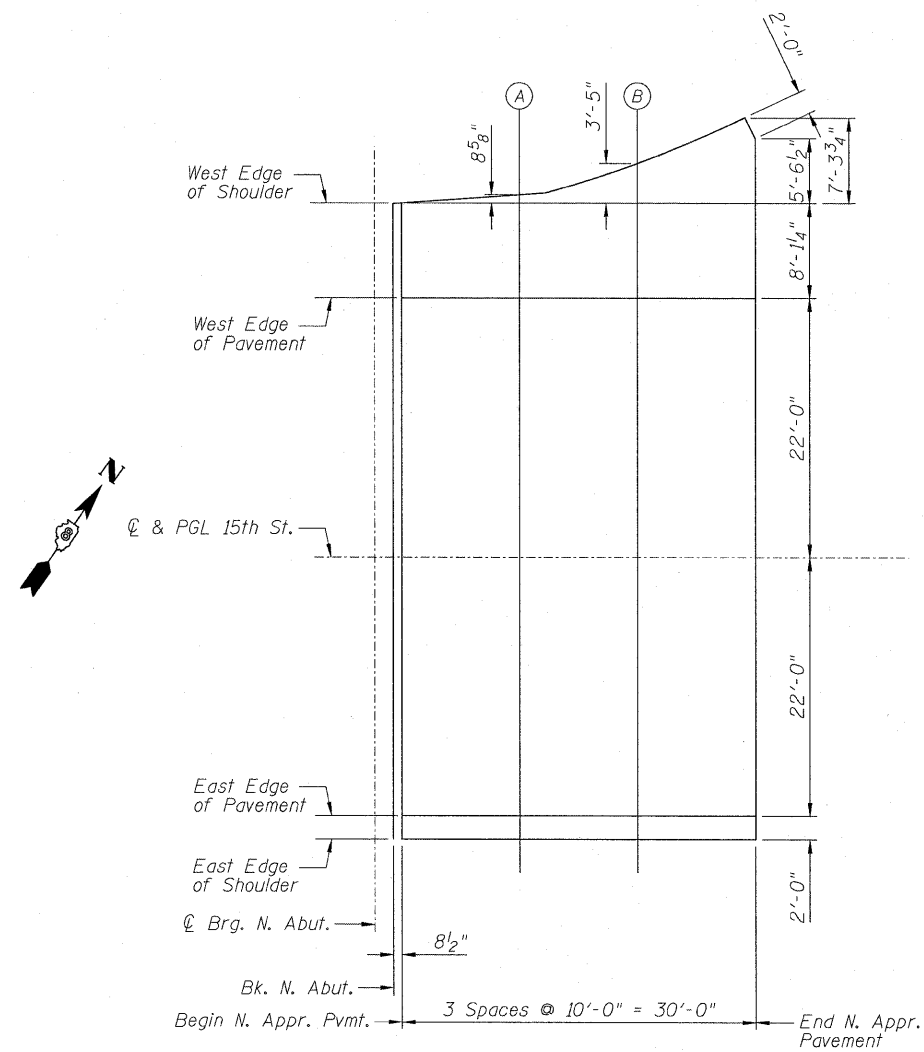


STATE OF ILLINOIS
DEPARTMENT OF TRANSPORTATION



PLAN FOR TOP OF SLAB ELEVATIONS

WEST EDGE OF SHOULDER

Location	Station	Offset	Theoretical Grade Elevations
Begin N. Appr. Pvmt.	8+94.42	-30.10	418.36
A	9+04.42	-30.82	417.96
B	9+14.42	-33.51	417.52
End N. Appr. Pvmt.	9+23.56	-37.45	417.06

WEST EDGE OF PAVEMENT

Location	Station	Offset	Theoretical Grade Elevations
Begin N. Appr. Pvmt.	8+94.42	-22.00	418.53
A	9+04.42	-22.00	418.15
B	9+14.42	-22.00	417.76
End N. Appr. Pvmt.	9+24.42	-22.00	417.38

C 15th STREET & PGL

Location	Station	Offset	Theoretical Grade Elevations
Begin N. Appr. Pvmt.	8+94.42	0.00	418.99
A	9+04.42	0.00	418.60
B	9+14.42	0.00	418.22
End N. Appr. Pvmt.	9+24.42	0.00	417.84

EAST EDGE OF PAVEMENT

Location	Station	Offset	Theoretical Grade Elevations
Begin N. Appr. Pvmt.	8+94.42	22.00	418.53
A	9+04.42	22.00	418.15
B	9+14.42	22.00	417.76
End N. Appr. Pvmt.	9+24.42	22.00	417.38

EAST EDGE OF SHOULDER

Location	Station	Offset	Theoretical Grade Elevations
Begin N. Appr. Pvmt.	8+94.42	24.00	418.49
A	9+04.42	24.00	418.10
B	9+14.42	24.00	417.72
End N. Appr. Pvmt.	9+24.42	24.00	417.34

NORTH APPROACH TOP OF SLAB ELEVATIONS
STRUCTURE NO. 082-0377

ZROKA engineering
Zroka Engineering, P.C.
4216 North Hermitage
Chicago, IL 60613

DESIGNED	LAS
CHECKED	JLA
DRAWN	SAW
CHECKED	LAS

3-31-2010

SHEET NO. 8 44 SHEETS	F.A.I. RTE.	SECTION	COUNTY	TOTAL SHEETS	SHEET NO.
	64	82-1-2HB	ST. CLAIR	345	215
CONTRACT NO. 76C49					
ILLINOIS FED. AID PROJECT					

Revised 4/15/2010