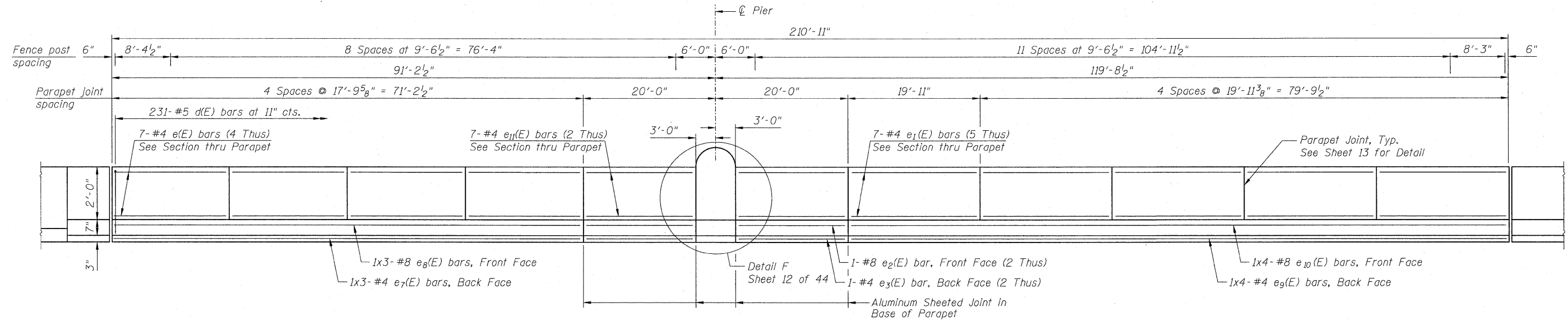
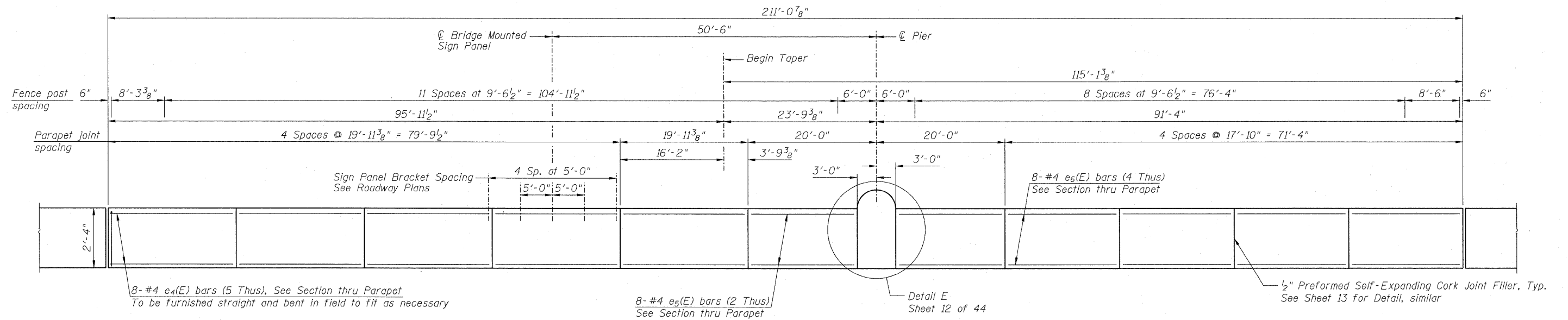


STATE OF ILLINOIS
DEPARTMENT OF TRANSPORTATION



ROADWAY PARAPET INSIDE ELEVATION



SIDEWALK PARAPET INSIDE ELEVATION

Note:
Bars indicated thus 1x3-#8 etc. indicates
1 line of bars with 3 lengths per line.

MIN. BAR LAPS

#4 bar = 1'-4"
#8 bar = 3'-5"

Note: Vertical scale exaggerated for clarity.

ZROKA engineering
Zroka Engineering, P.C.
4216 North Hermitage
Chicago, IL 60613

DESIGNED	LAS
CHECKED	JLA
DRAWN	SAW
CHECKED	LAS

3-31-2010

SUPERSTRUCTURE DETAILS 2
STRUCTURE NO. 082-0377

SHEET NO. 11 44 SHEETS	F.A.I. RTE.	SECTION	COUNTY	TOTAL SHEETS	SHEET NO.
	64	82-1-2HB	ST. CLAIR	345	218
			CONTRACT NO. 76C49		
ILLINOIS FED. AID PROJECT					

Revised 4/15/2010