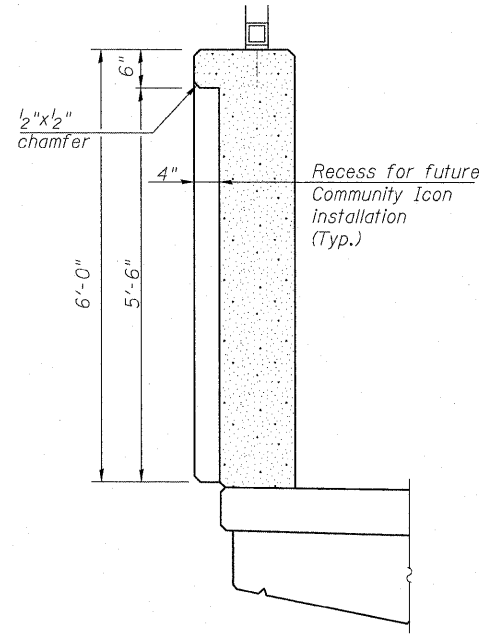
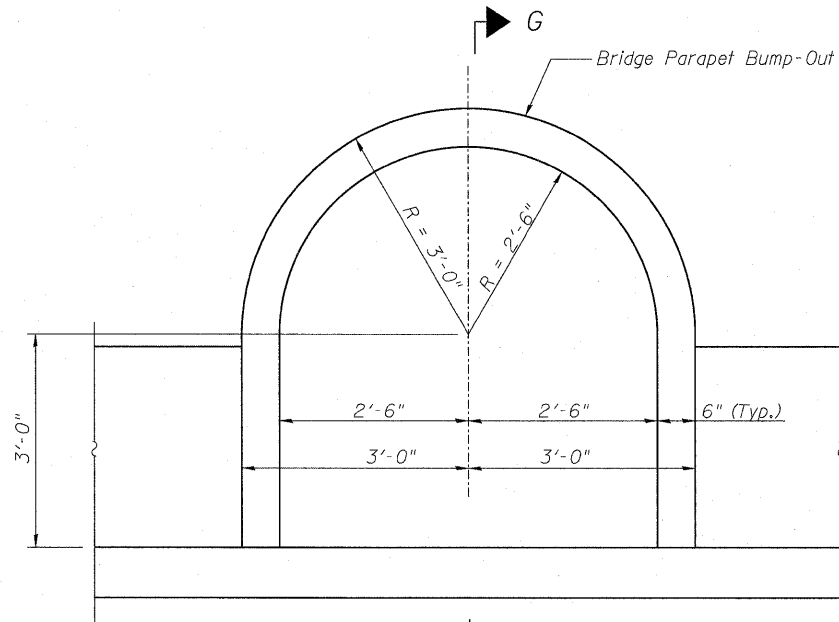


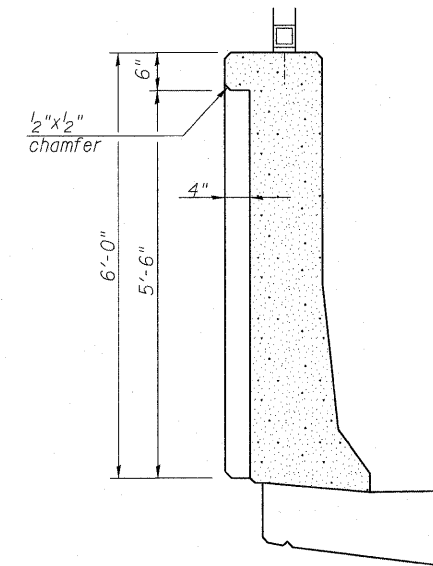
STATE OF ILLINOIS  
DEPARTMENT OF TRANSPORTATION



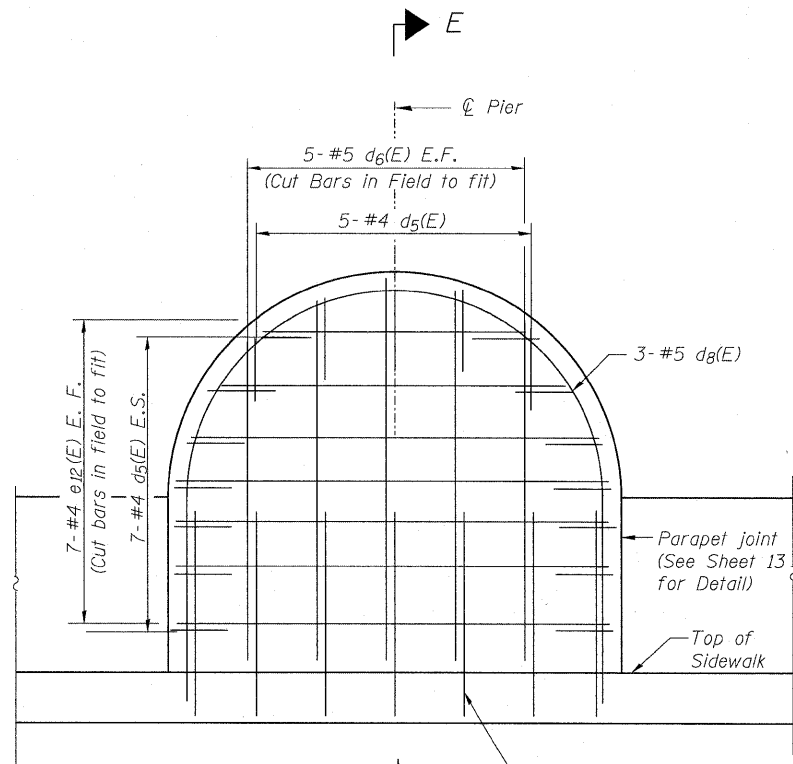
SECTION G-G  
(North Parapet)



COMMUNITY ICON PARAPET ELEVATION

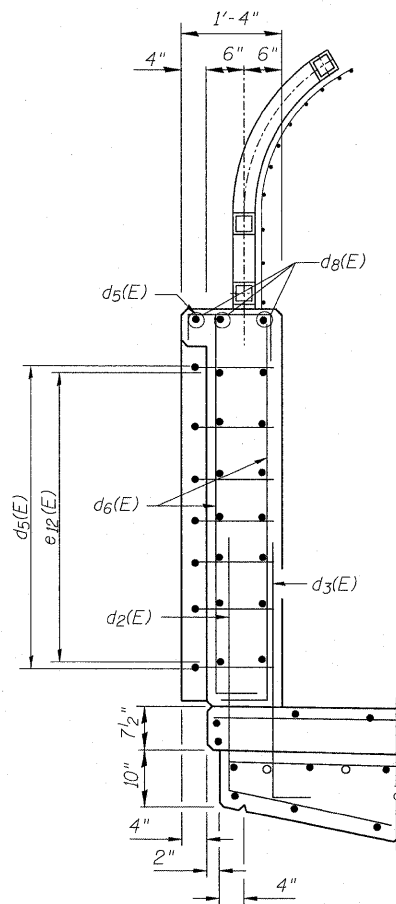


SECTION G-G  
(South Parapet)

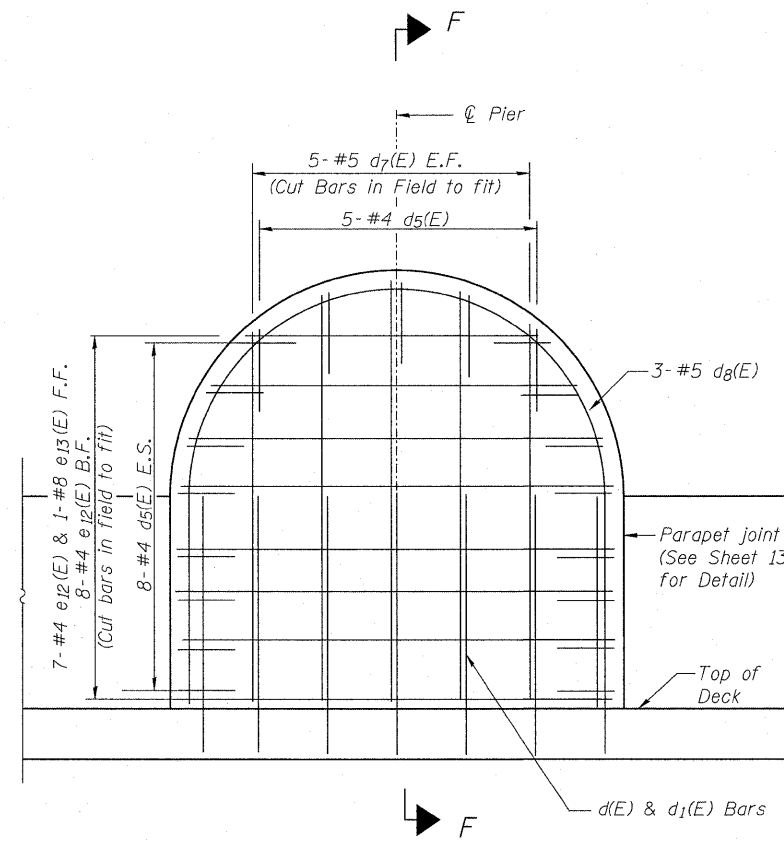


DETAIL E

(See Community Icon Parapet Elevation for dimensions)

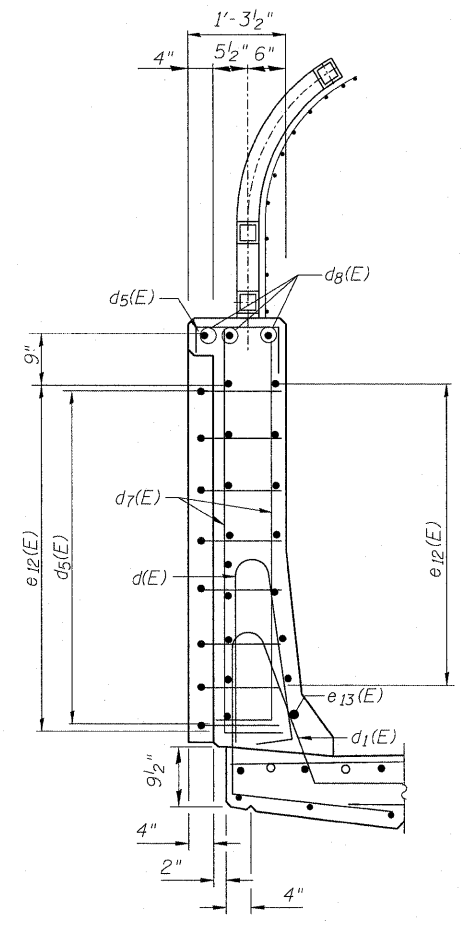


SECTION E-E



DETAIL F

(See Community Icon Parapet Elevation for dimensions)



SECTION F-F

SUPERSTRUCTURE DETAILS 3  
STRUCTURE NO. 082-0377

**ZROKA** engineering  
Zroka Engineering, P.C.  
4216 North Hermitage  
Chicago, IL 60613

DESIGNED	LAS
CHECKED	JLA
DRAWN	SAW
CHECKED	LAS

3-31-2010

SHEET NO. 12 44 SHEETS	F.A.I. RTE.	SECTION	COUNTY	TOTAL SHEETS	SHEET NO.
	64	82-1-2HB	ST. CLAIR	345	219
			CONTRACT NO. 76C49		
ILLINOIS FED. AID PROJECT					

REVISED 4/15/2010