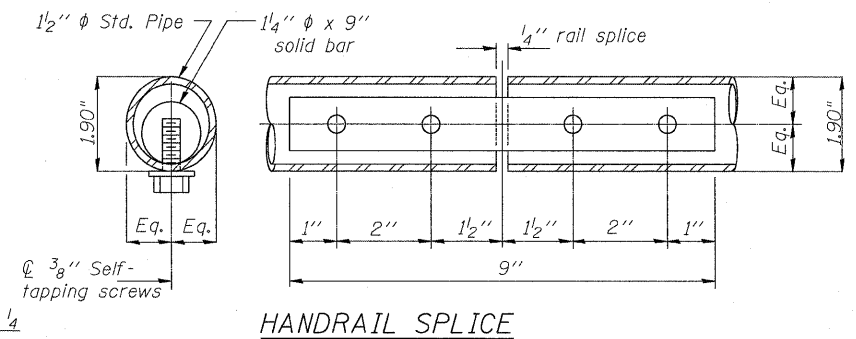
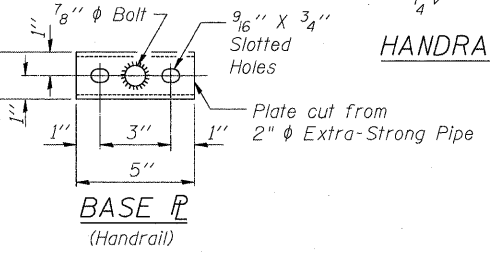
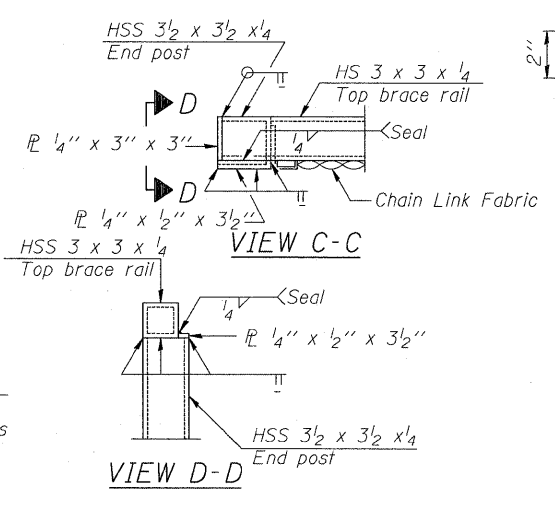
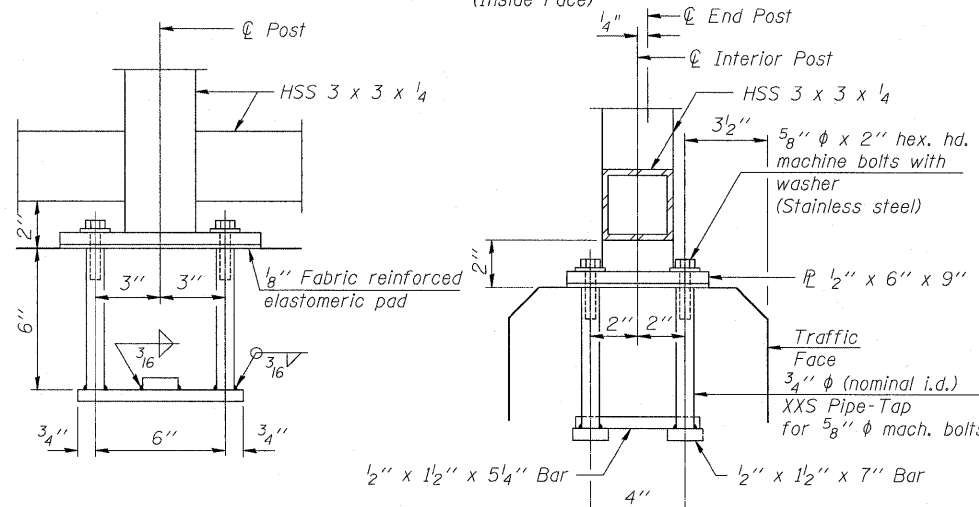
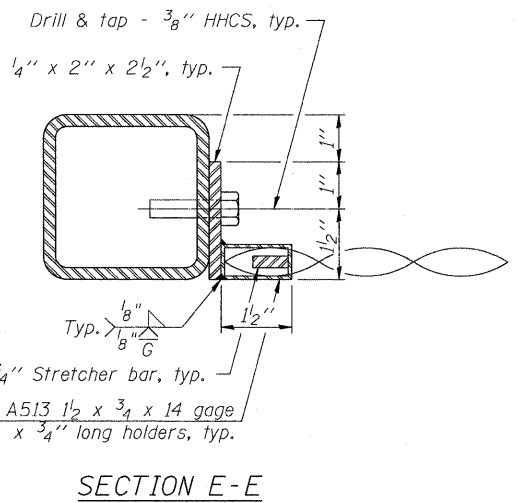
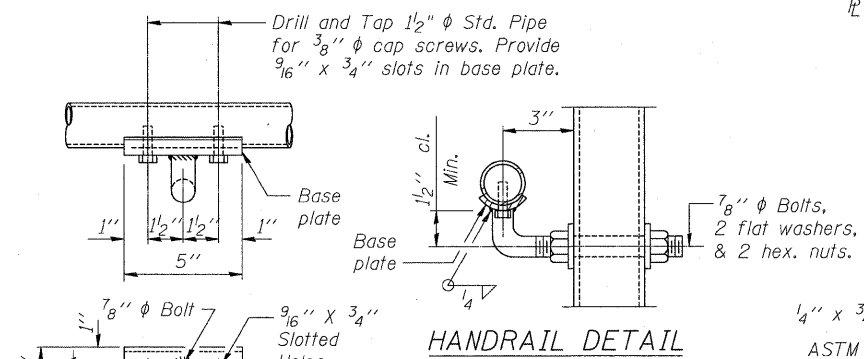
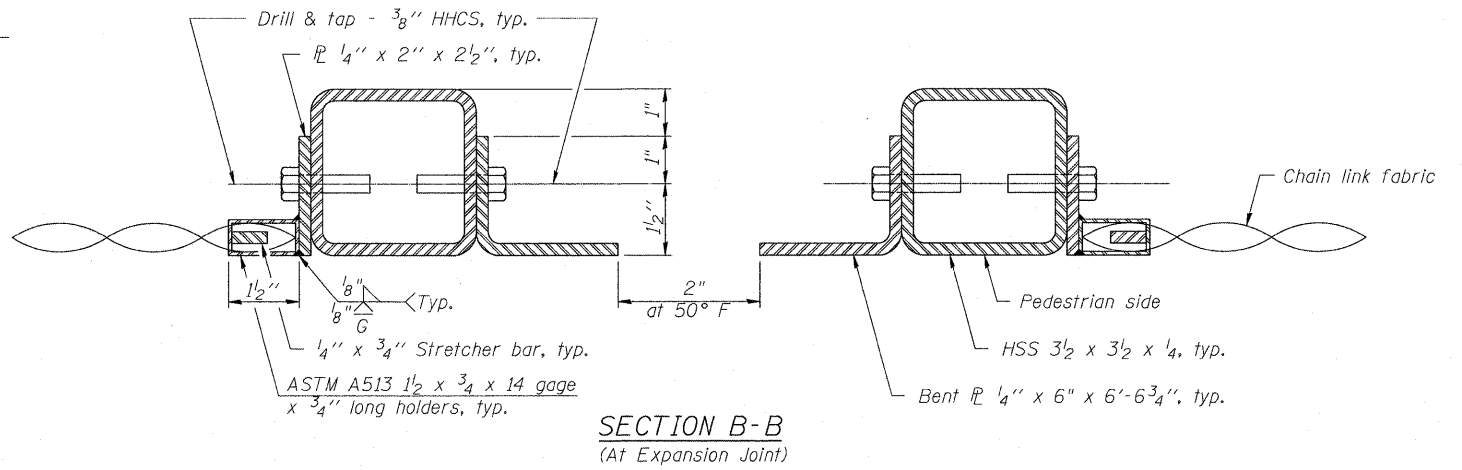
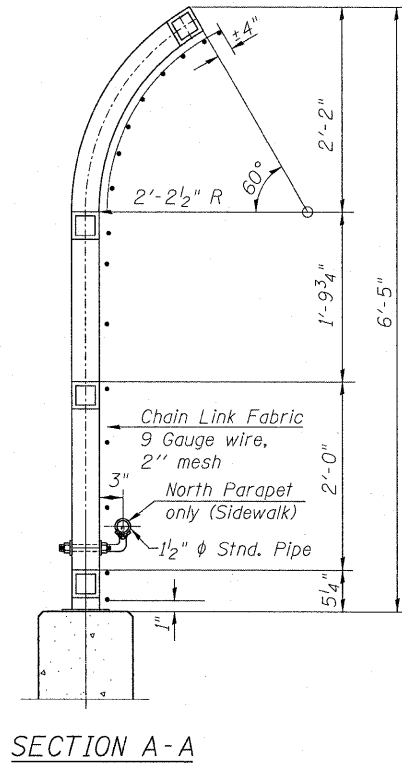
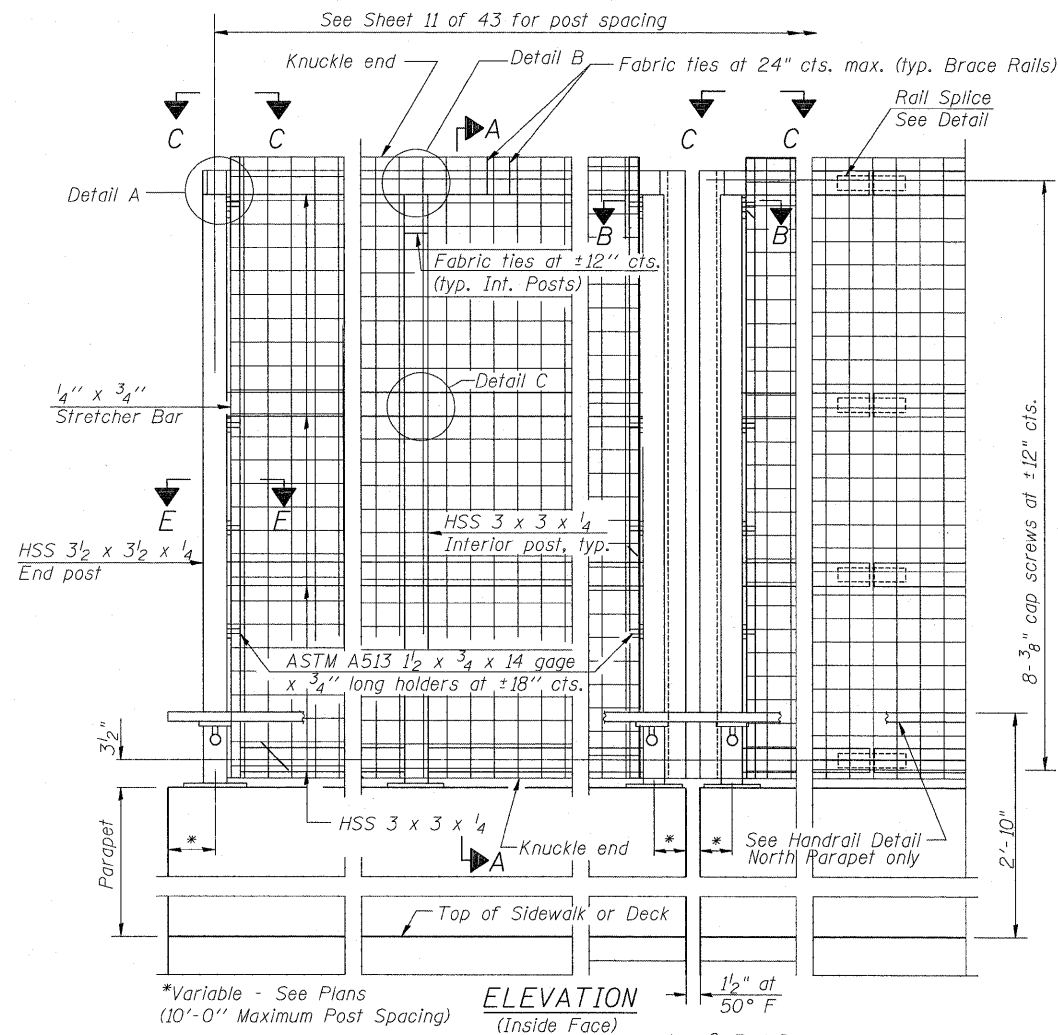
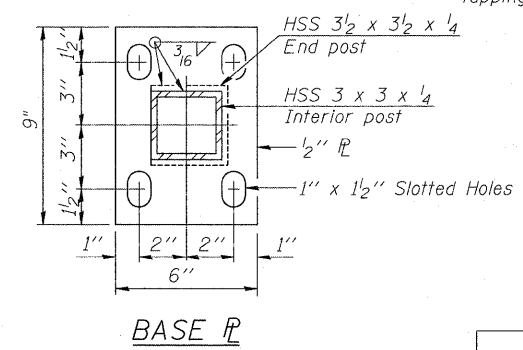
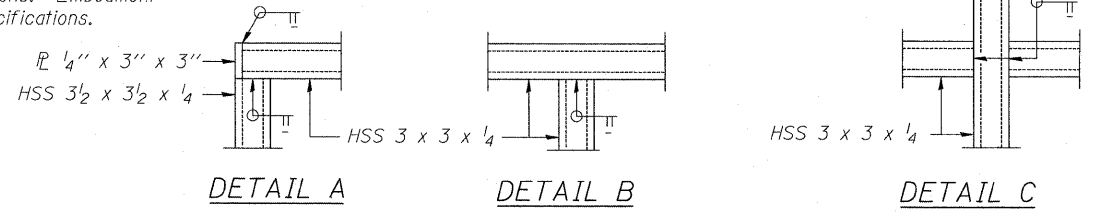


STATE OF ILLINOIS
DEPARTMENT OF TRANSPORTATION

Notes:
All post, railing, splices, anchor devices and plates shall be painted using the DuPont Imron 2.1 HG High Gloss Polyurethane (Includes Mix Quality "VF") or approved equal. The color of the final finish coat shall be Black.



ANCHOR BOLT DETAILS
In lieu of the cast-in-place anchor device shown, the Contractor has the option of drilling and setting 5/8" ϕ anchor rods according to Article 509.06 of the Standard Specifications. Embedment shall be according to the manufacturer's specifications.



BILL OF MATERIAL

Item	Unit	Quantity
Bridge Fence Railing	Foot	286
Bridge Fence Railing (Sidewalk)	Foot	287

BRIDGE FENCE RAILING DETAILS 1
STRUCTURE NO. 082-0377

SHEET NO. 18	F.A.I. RTE.	SECTION	COUNTY	TOTAL SHEETS	SHEET NO.
44 SHEETS	64	82-1-2HB	ST. CLAIR	345	225
CONTRACT NO. 76C49					
ILLINOIS FED. AID PROJECT					
Revised 4/15/2010					

ZROKA Engineering
Zroka Engineering, P.C.
4216 North Hermitage
Chicago, IL 60613

DESIGNED	LAS
CHECKED	JLA
DRAWN	SAW
CHECKED	LAS

3-31-2010