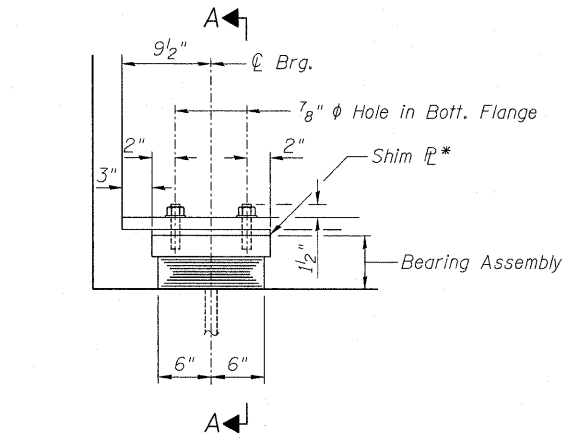
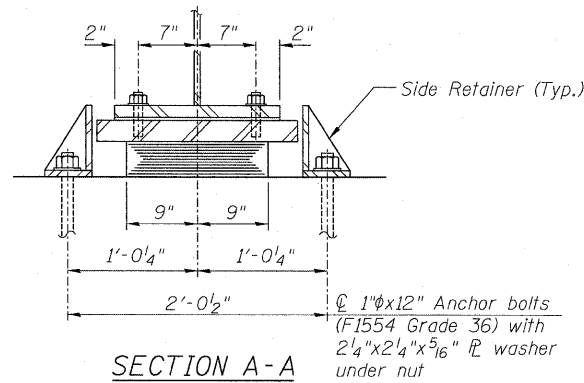


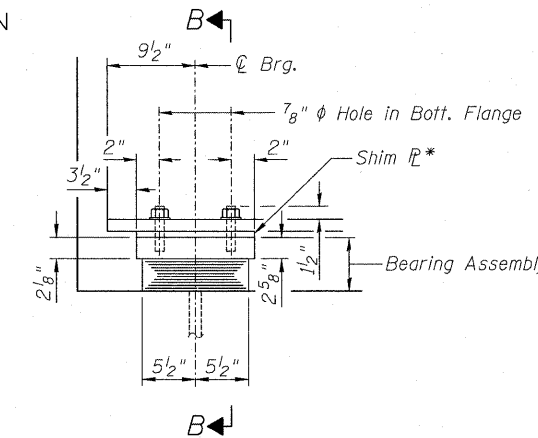
STATE OF ILLINOIS  
DEPARTMENT OF TRANSPORTATION



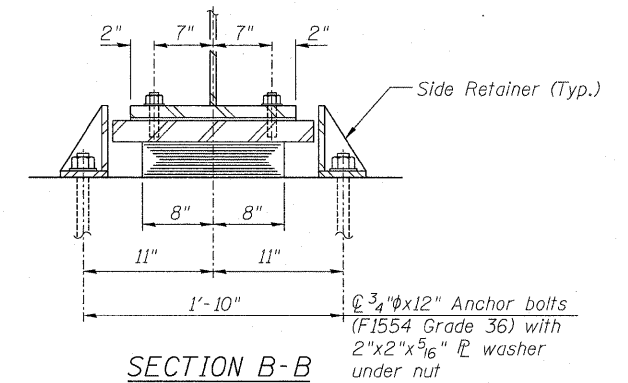
ELEVATION AT SOUTH ABUT.



SECTION A-A



ELEVATION AT NORTH ABUT.

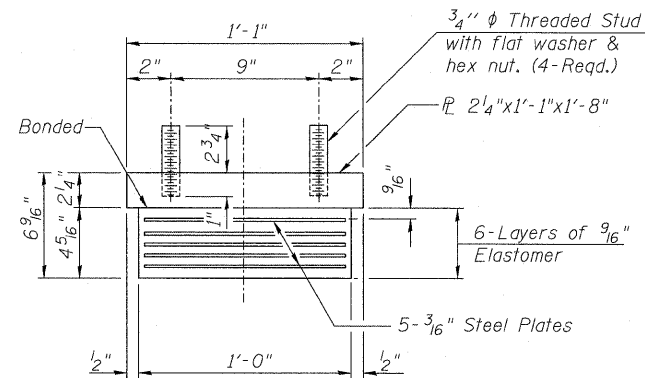


SECTION B-B

TYPE I ELASTOMERIC EXP. BRG.

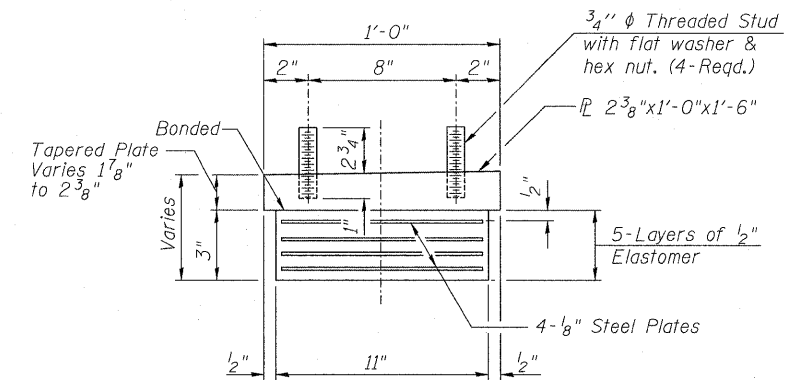
Notes:  
Anchor bolts shall be ASTM F1554 all-thread (or an Engineer-approved alternate material) of the grade(s) and diameter(s) specified. ASTM A307 Grade C anchor bolts may be used in lieu of ASTM F1554 Grade 36 (Fy=36ksi). The corresponding specified grade of AASHTO M314 anchor bolts may be used in lieu of ASTM F1554.  
Anchor bolts at fixed bearings may be either cast in place or installed in holes drilled after the supported member is in place.  
Anchor bolts for side retainers may be cast in place or installed in holes drilled before or after members are in place.  
Drilled and set anchor bolts shall be installed according to Article 521.06 of the Standard Specifications.  
Side retainers and other steel members required for the bearing assembly shall be included in the cost of Elastomeric Bearing Assembly, Type I.  
Two 1/8" adjusting shims shall be provided for each bearing in addition to all other plates or shims and placed as shown on bearing details.

\*Provide one 3/8" thick shim plate under Girder 4.

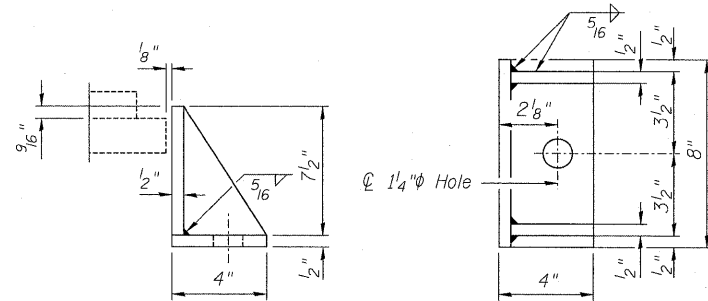


BEARING ASSEMBLY SOUTH ABUT.

Note:  
Shim plates shall not be placed under Elastomeric Bearing Assembly, Type I.

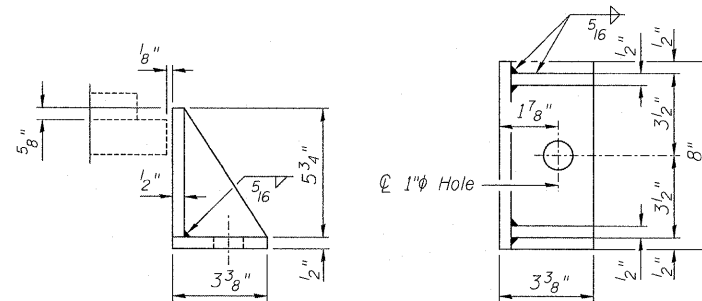


BEARING ASSEMBLY NORTH ABUT.



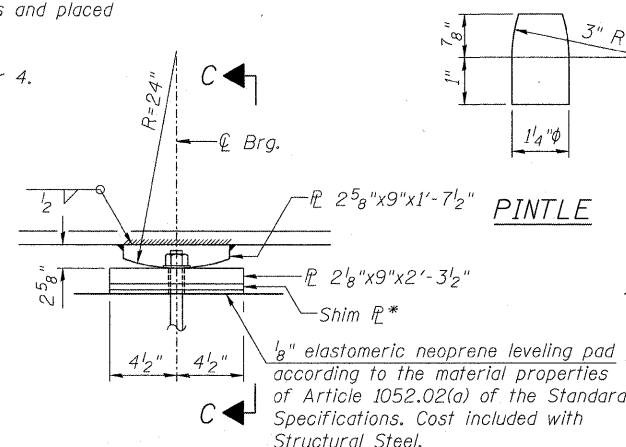
SIDE RETAINER - SOUTH ABUT.

Equivalent rolled angle with stiffeners will be allowed in lieu of welded plates.



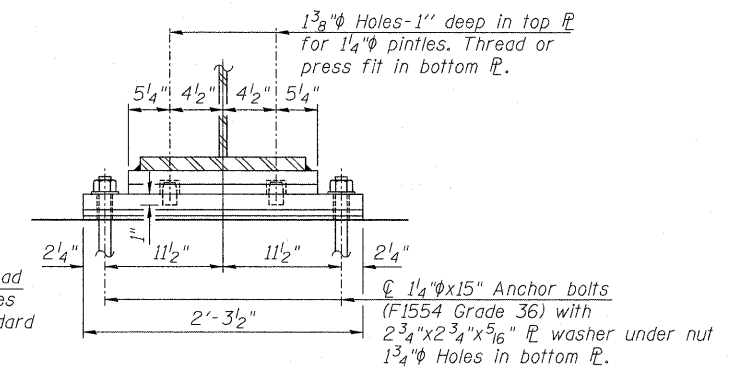
SIDE RETAINER - NORTH ABUT.

Equivalent rolled angle with stiffeners will be allowed in lieu of welded plates.



ELEVATION AT PIER

FIXED BEARING



SECTION C-C

BILL OF MATERIAL

Item	Unit	Total
Elastomeric Bearing Assembly Type I	Each	15
Anchor Bolts, 3/4"	Each	16
Anchor Bolts, 1"	Each	14
Anchor Bolts, 1 1/4"	Each	16

BEARING DETAILS  
STRUCTURE NO. 082-0377

SHEET NO. 25 44 SHEETS	F.A.I. RTE.	SECTION	COUNTY	TOTAL SHEETS	SHEET NO.
	64	82-1-2HB	ST. CLAIR	345	232
			CONTRACT NO. 76C49		
ILLINOIS FED. AID PROJECT					

REVISION 4/11/2010

ZROKA engineering  
Zroka Engineering, P.C.  
4216 North Hermitage  
Chicago, IL 60613

DESIGNED	LAS
CHECKED	JLA
DRAWN	SAW
CHECKED	LAS

3-31-2010