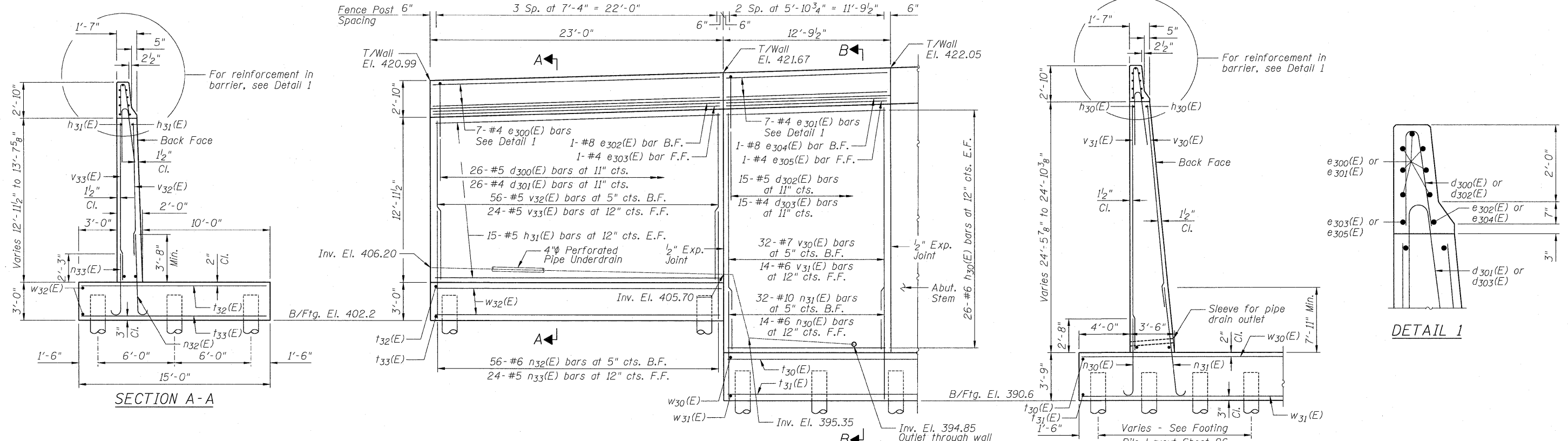
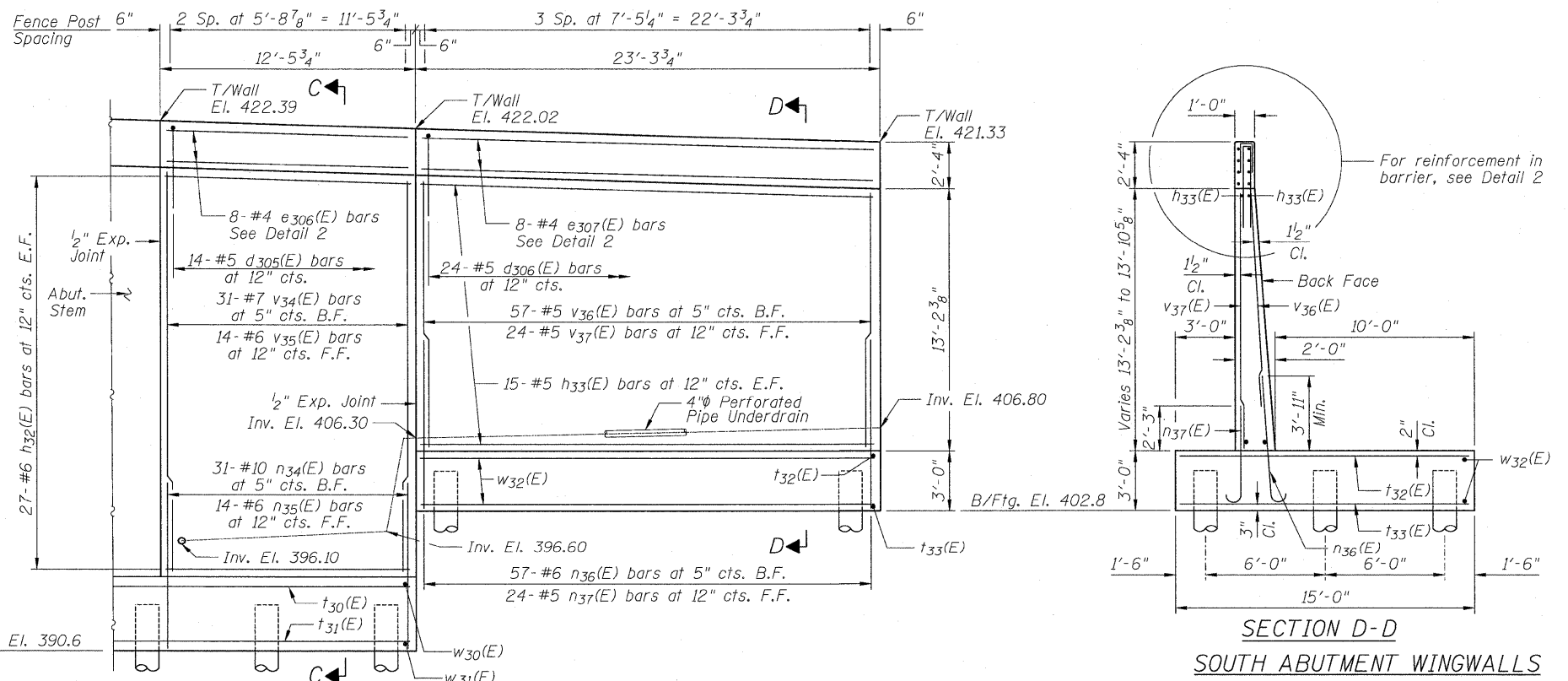


STATE OF ILLINOIS
DEPARTMENT OF TRANSPORTATION



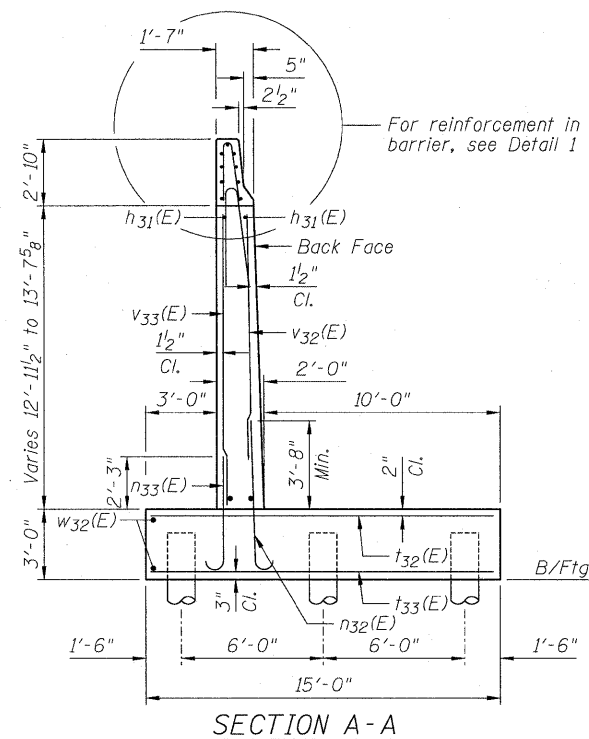
EAST WINGWALL ELEVATION

SECTION B-B

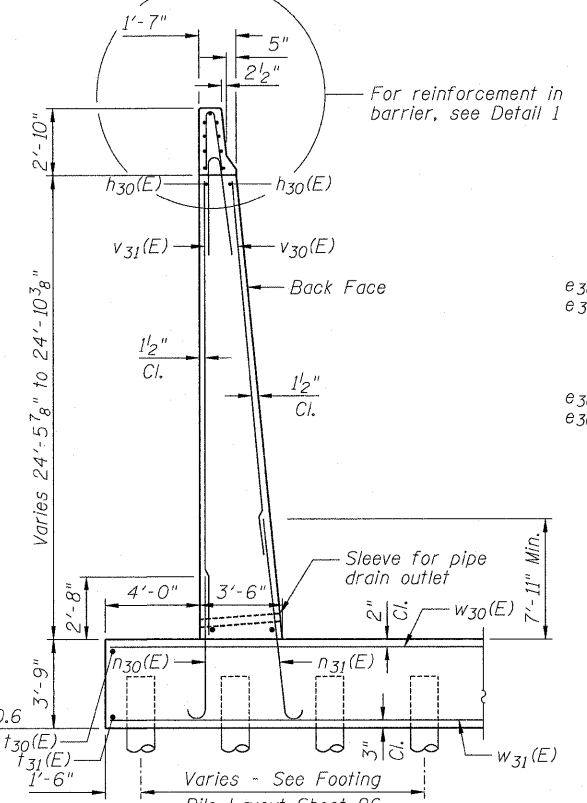


WEST WINGWALL ELEVATION

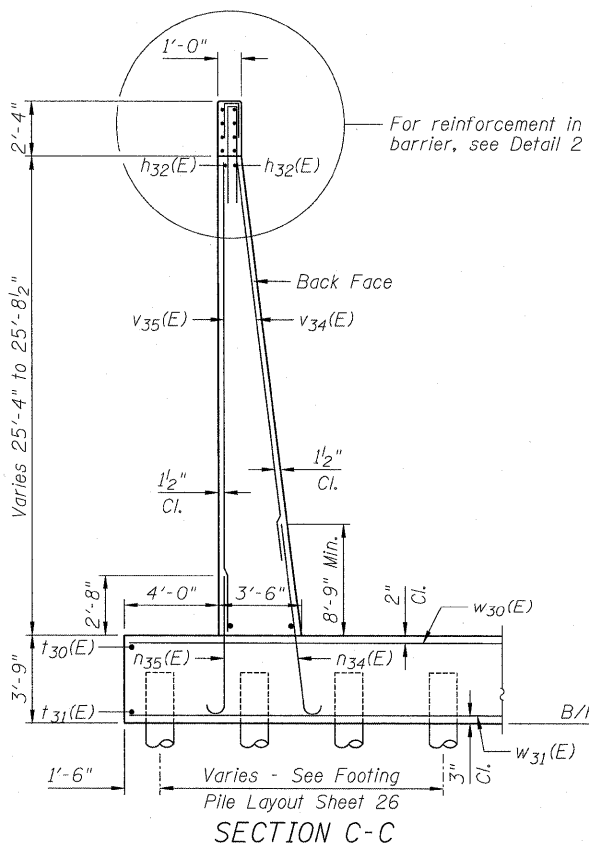
SECTION D-D
SOUTH ABUTMENT WINGWALLS
STRUCTURE NO. 082-0377



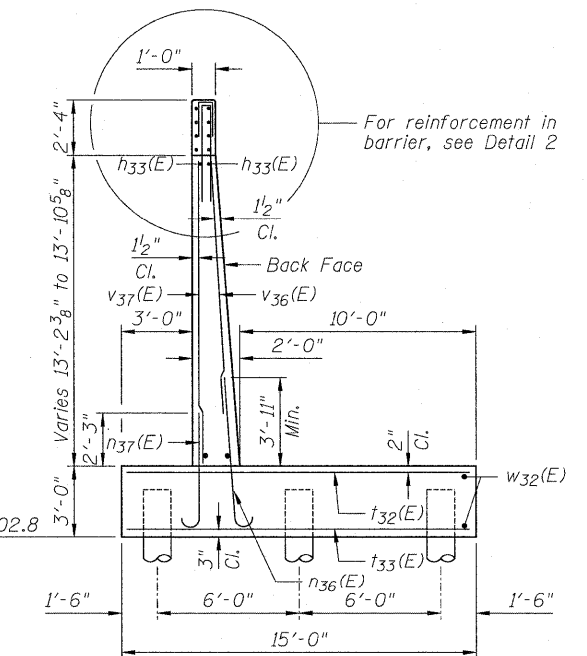
SECTION A-A



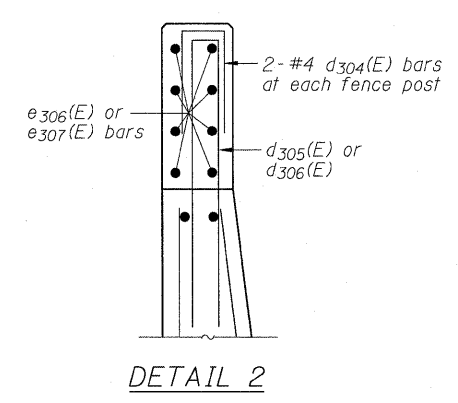
SECTION B-B



SECTION C-C



SECTION D-D
SOUTH ABUTMENT WINGWALLS
STRUCTURE NO. 082-0377



DETAIL 2

MIN. BAR LAPS

- #5 bar = 2'-2"
- #6 bar = 2'-7"
- #7 bar = 3'-5"
- #10 bar = 7'-3"

ZROKA engineering
Zroka Engineering, P.C.
4216 North Hermitage
Chicago, IL 60613

DESIGNED	LAS
CHECKED	JLA
DRAWN	SAW
CHECKED	LAS

3-31-2010

SHEET NO. 29	F.A.I. RTE.	SECTION	COUNTY	TOTAL SHEETS	SHEET NO.
	64	82-1-2HB	ST. CLAIR	345	236
44 SHEETS		CONTRACT NO. 76C49			
ILLINOIS FED. AID PROJECT					
REVISED 4/11/2010					