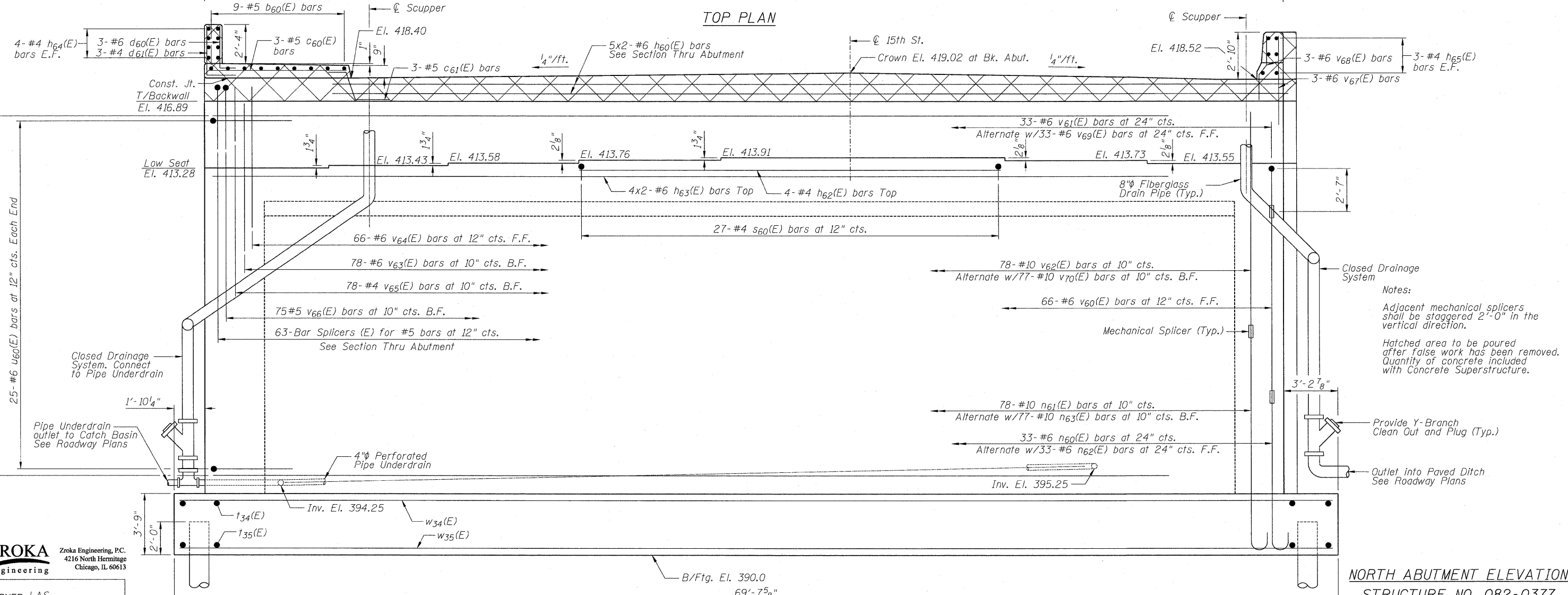
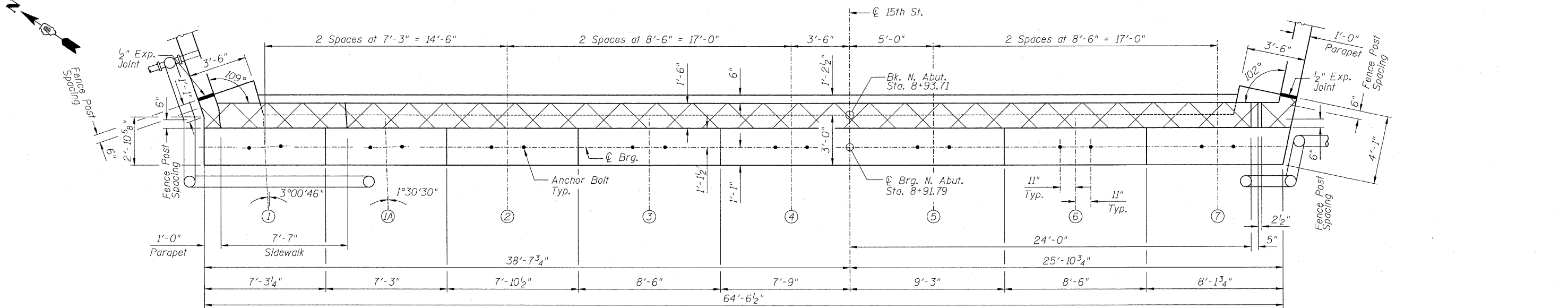


STATE OF ILLINOIS
DEPARTMENT OF TRANSPORTATION



Notes:
Adjacent mechanical splicers shall be staggered 2'-0" in the vertical direction.
Hatched area to be poured after false work has been removed. Quantity of concrete included with Concrete Superstructure.

ZROKA engineering
Zroka Engineering, P.C.
4216 North Hermitage
Chicago, IL 60613

DESIGNED	LAS
CHECKED	JLA
DRAWN	SAW
CHECKED	LAS

3-31-2010

NORTH ABUTMENT ELEVATION
(Looking North)

NORTH ABUTMENT ELEVATION
STRUCTURE NO. 082-0377

SHEET NO. 33 44 SHEETS	F.A.I. RTE.	SECTION	COUNTY	TOTAL SHEETS	SHEET NO.
	64	82-1-2HB	ST. CLAIR	345	240
CONTRACT NO. 76C49					
ILLINOIS FED. AID PROJECT					

Revised 4/15/2010