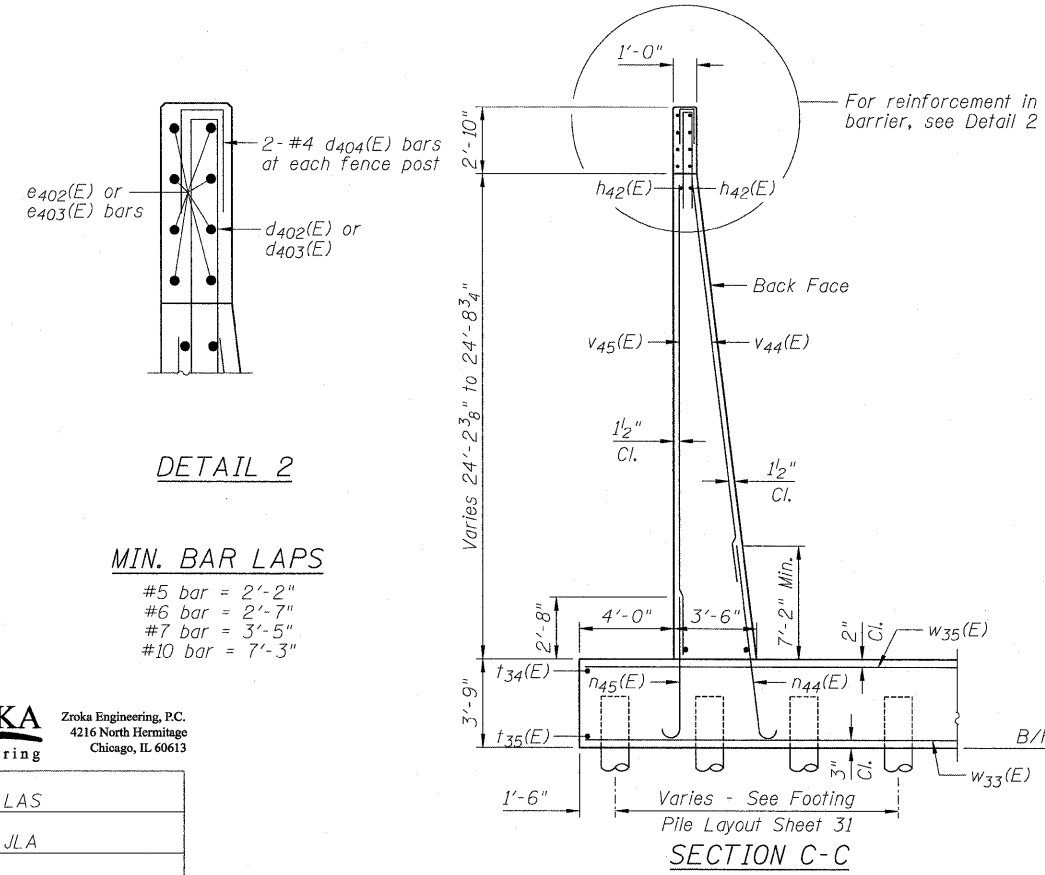
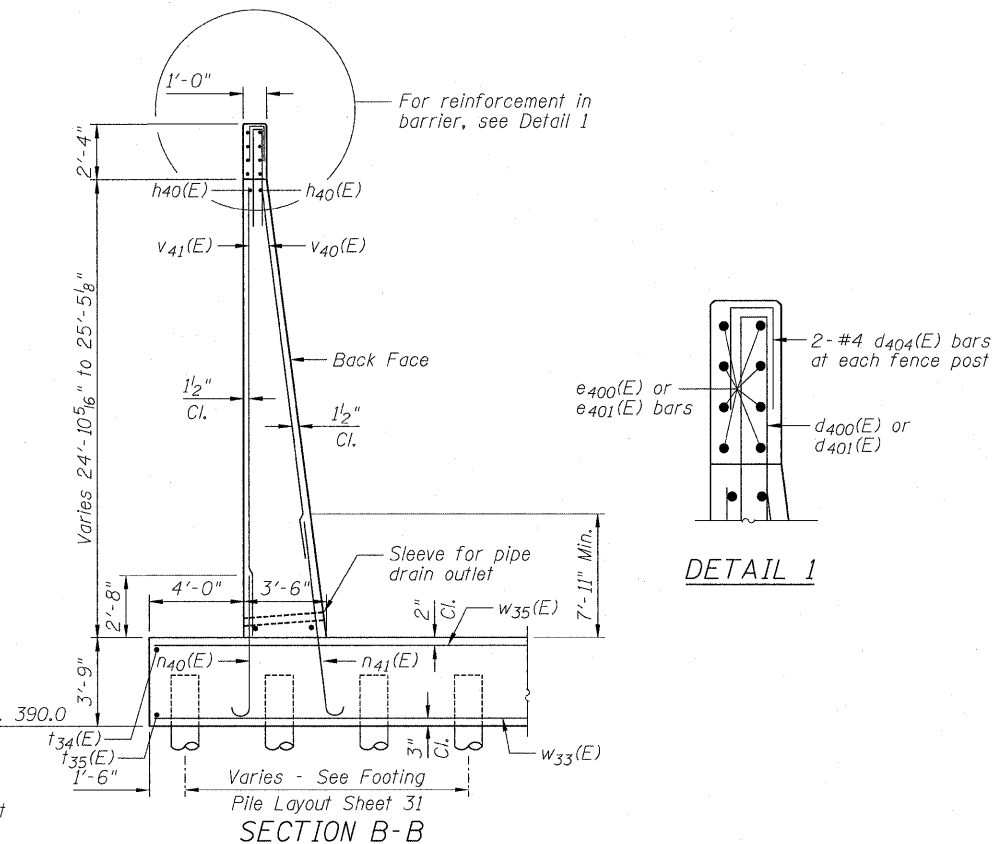
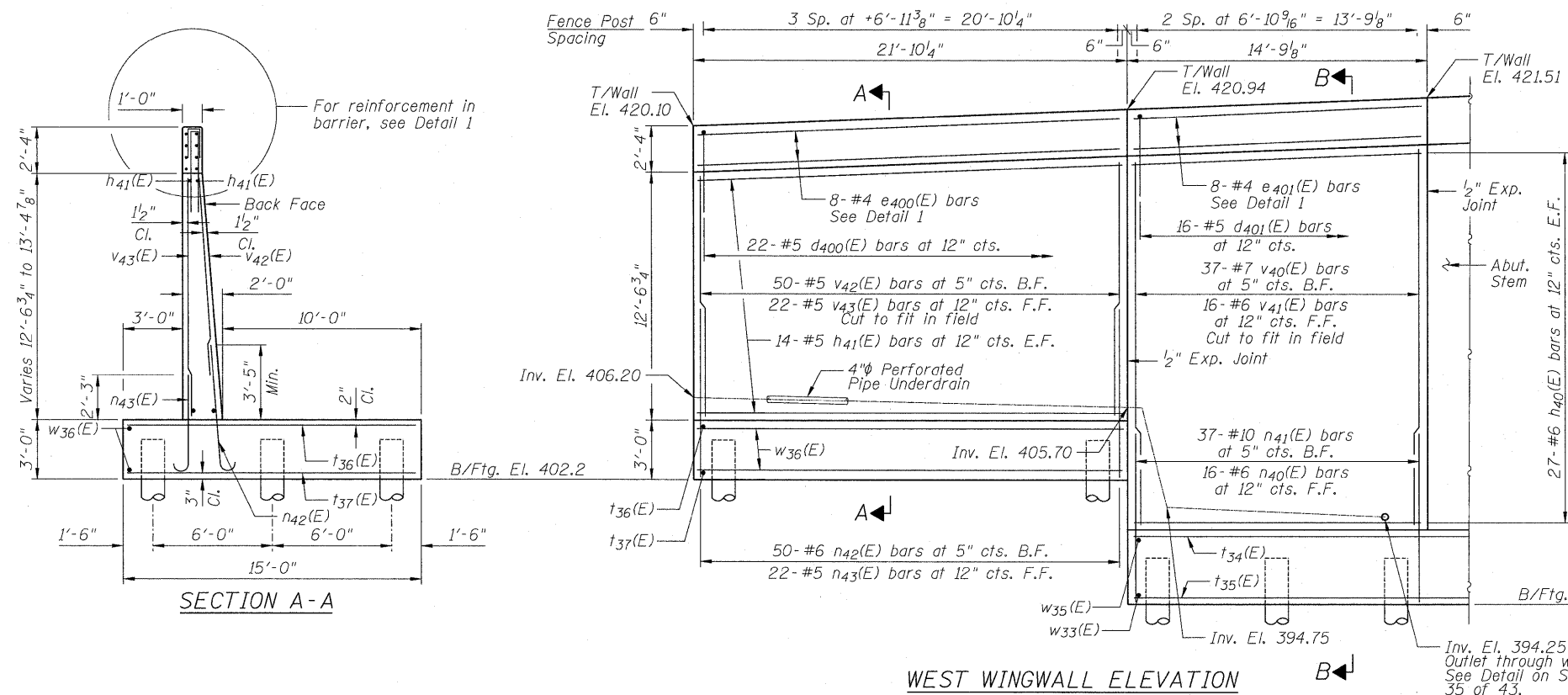
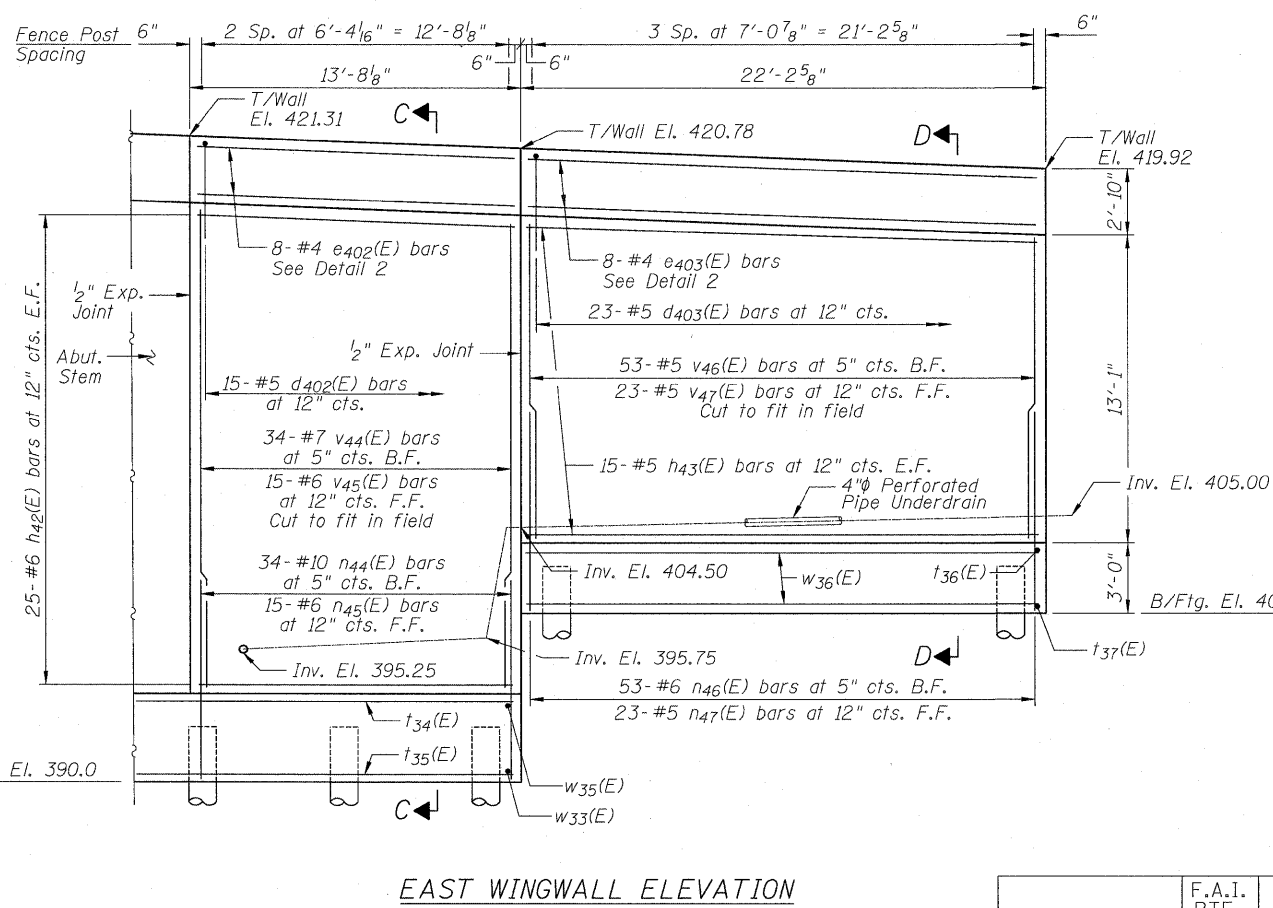


STATE OF ILLINOIS
DEPARTMENT OF TRANSPORTATION



MIN. BAR LAPS

#5 bar = 2'-2"
#6 bar = 2'-7"
#7 bar = 3'-5"
#10 bar = 7'-3"



SECTION D-D
NORTH ABUTMENT WINGWALLS
STRUCTURE NO. 082-0377

ZROKA Engineering, P.C.
4216 North Hermitage
Chicago, IL 60613

DESIGNED	LAS
CHECKED	JLA
DRAWN	SAW
CHECKED	LAS

3-31-2010

SHEET NO. 34	F.A.I. R.T.E.	SECTION	COUNTY	TOTAL SHEETS	SHEET NO.
44 SHEETS	64	82-1-2HB	ST. CLAIR	345	241
			CONTRACT NO. 76C49		
ILLINOIS FED. AID PROJECT					

REVISED 4/15/2010