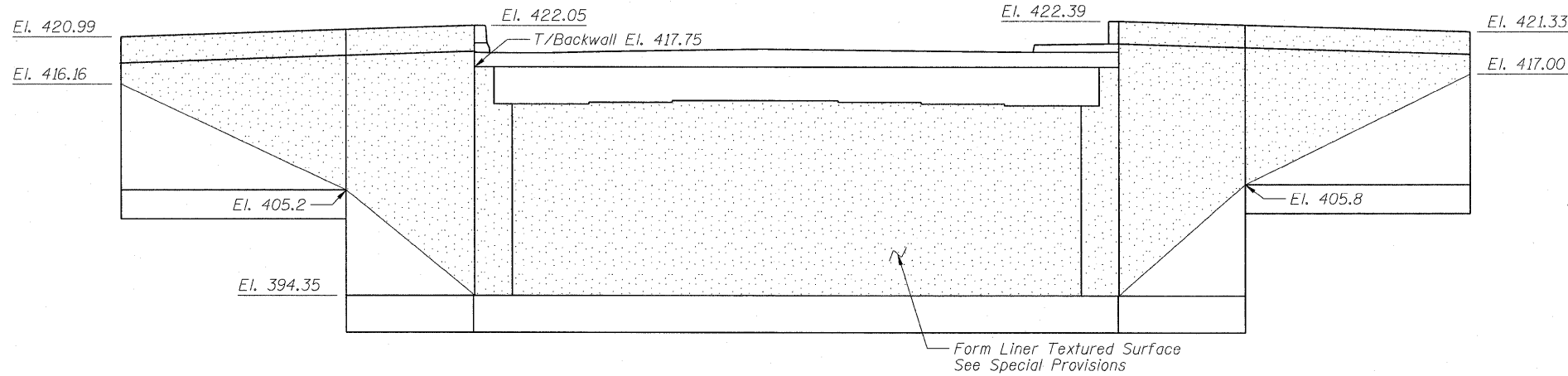
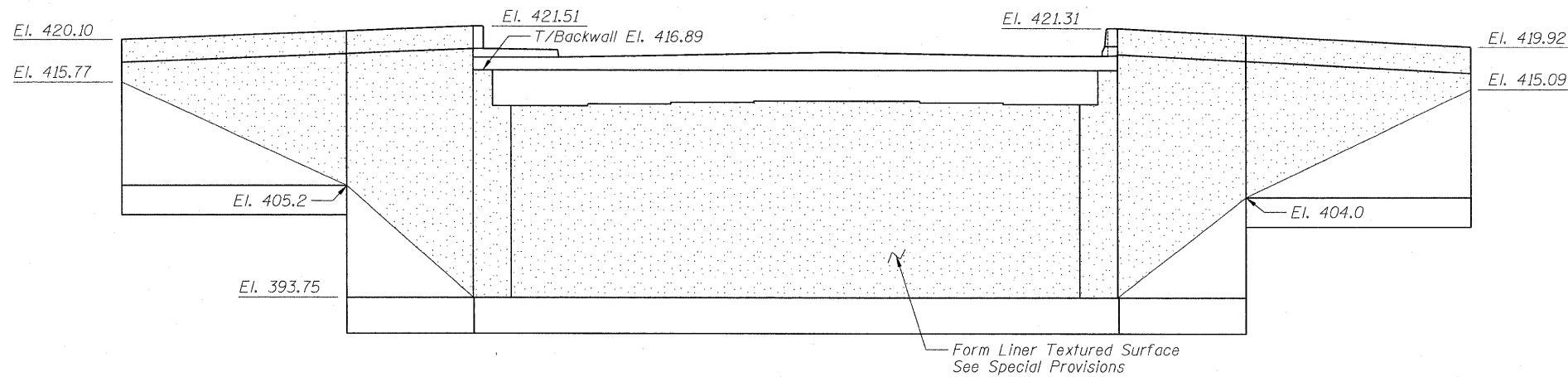


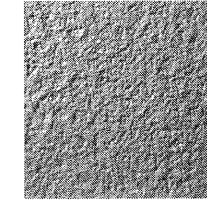
STATE OF ILLINOIS  
DEPARTMENT OF TRANSPORTATION



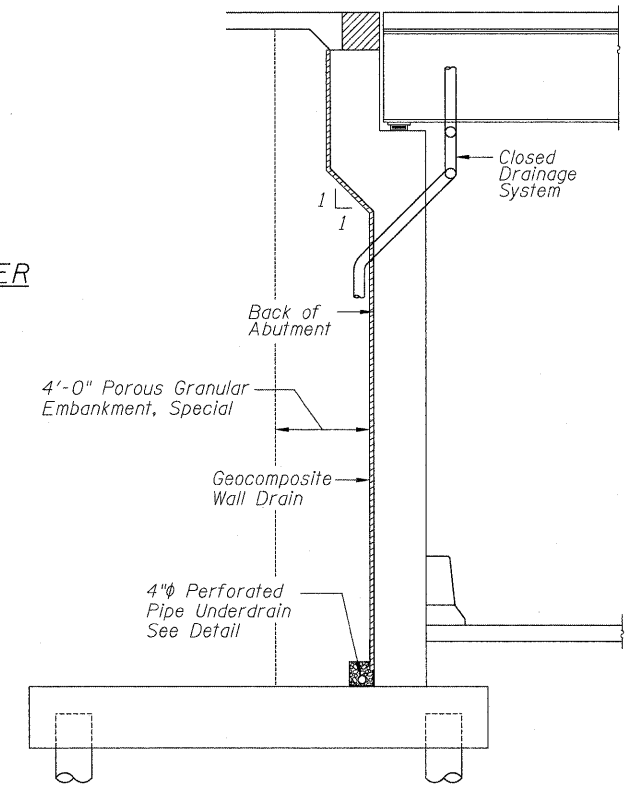
FORM LINER TEXTURED SURFACE  
FOR SOUTH ABUTMENT & WINGWALLS



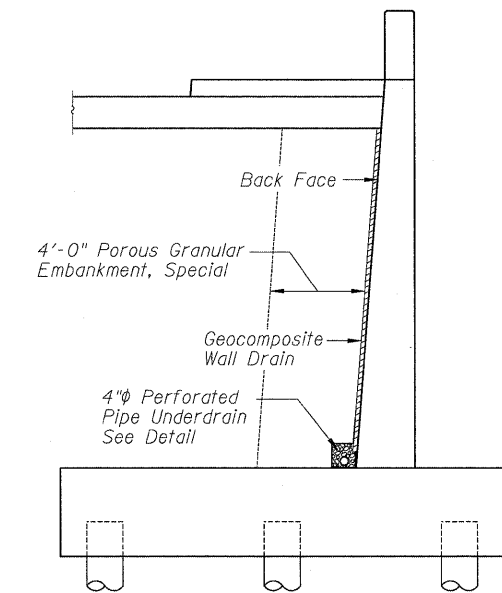
FORM LINER TEXTURED SURFACE  
FOR NORTH ABUTMENT & WINGWALLS



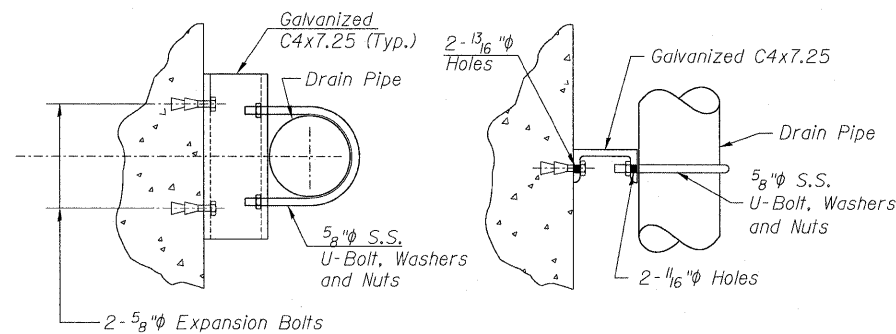
EXAMPLE OF FORM LINER  
TEXTURED SURFACE



SECTION THRU ABUTMENT  
SHOWING DRAINAGE SYSTEM



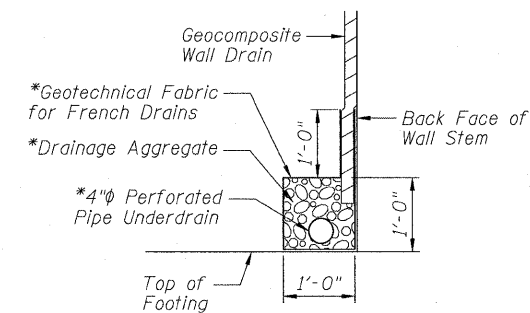
SECTION THRU WINGWALL  
SHOWING DRAINAGE SYSTEM



PLAN

ELEVATION

PIPE SUPPORT DETAIL



\*Included in the cost of  
"Pipe Underdrains for Structures"  
PIPE UNDERDRAIN DETAIL

FORM LINER AND DRAINAGE DETAILS  
STRUCTURE NO. 082-0377

**ZROKA** engineering  
Zroka Engineering, P.C.  
4216 North Hermitage  
Chicago, IL 60613

DESIGNED	LAS
CHECKED	JLA
DRAWN	SAW
CHECKED	LAS

3-31-2010

SHEET NO. 37 44 SHEETS	F.A.I. RTE.	SECTION	COUNTY	TOTAL SHEETS	SHEET NO.
	64	82-1-2HB	ST. CLAIR	345	244
			CONTRACT NO. 76C49		
ILLINOIS FED. AID PROJECT					

Revised 4/17/2010