


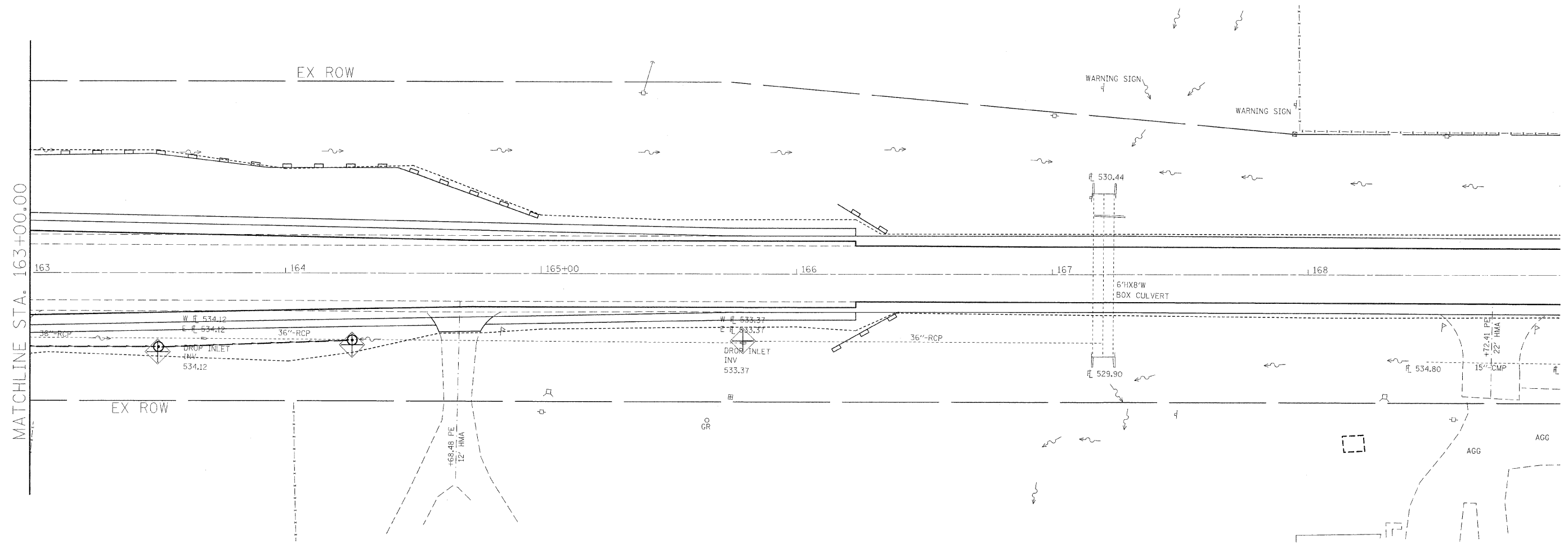


LEGEND

-  TEMPORARY DITCH CHECK
-  PERIMETER EROSION BARRIER
-  INLET AND PIPE PROTECTION



FILE NAME =	USER NAME = dntelmonjn	DESIGNED -	REVISED -	<b>STATE OF ILLINOIS DEPARTMENT OF TRANSPORTATION</b>	<b>EROSION CONTROL (SAFETY AREA 1)</b>	F.A.P. RTE.	SECTION	COUNTY	TOTAL SHEETS	SHEET NO.	
et:\pwork\pksidot\dntelmonjn\c0153338\c076d42-sht-eros.dgn	PLOT SCALE = 28.0000' / IN.	DRAWN -	REVISED -			327	17RS-3	MARION	96	45	
PLOT DATE = 3/15/2018	DATE -	CHECKED -	REVISED -			CONTRACT NO. 76D42					
						FED. ROAD DIST. NO. - ILLINOIS FED. AID PROJECT					
					SCALE: 1"=20'	SHEET NO. ___ OF ___ SHEETS		STA. 163+00.00 TO STA. 166+23.07			