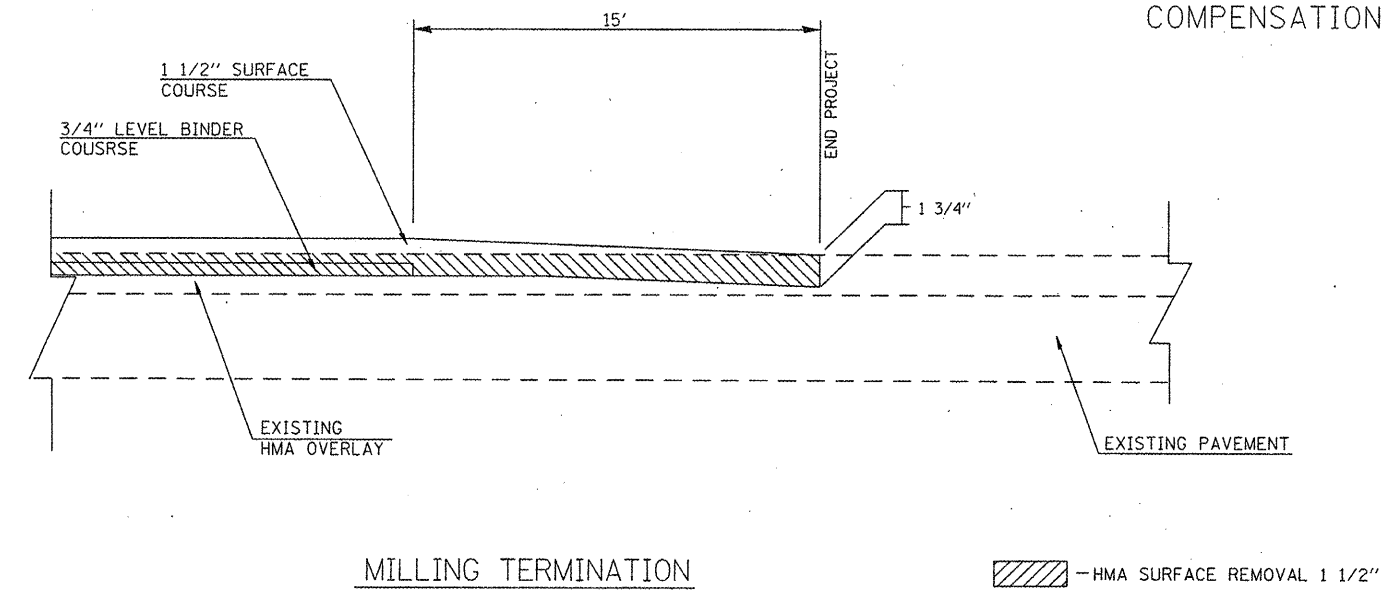


MILLING TERMINATION

NOTE: MILLING TERMINATION WORK TO BE INCLUDED IN HMA SURFACE REMOVAL 1 3/4" PAY ITEM. NO ADDITIONAL COMPENSATION WILL BE ALLOWED.



MILLING TERMINATION

FILE NAME =	USER NAME = #USER#	DESIGNED -	REVISED -
#FILE#		DRAWN -	REVISED -
	PLOT SCALE = #SCALE#	CHECKED -	REVISED -
	PLOT DATE = #DATE#	DATE -	REVISED -

STATE OF ILLINOIS
DEPARTMENT OF TRANSPORTATION

MISCELLANEOUS DETAIL

SCALE: _____ SHEET NO. ___ OF ___ SHEETS STA. _____ TO STA. _____

F.A.I. RTE.	SECTION	COUNTY	TOTAL SHEETS	SHEET NO.
9251	26-IRS-3	ST. CLAIR	37	26
FED. ROAD DIST. NO. - [ILLINOIS] FED. AID PROJECT			CONTRACT NO. 76D44	