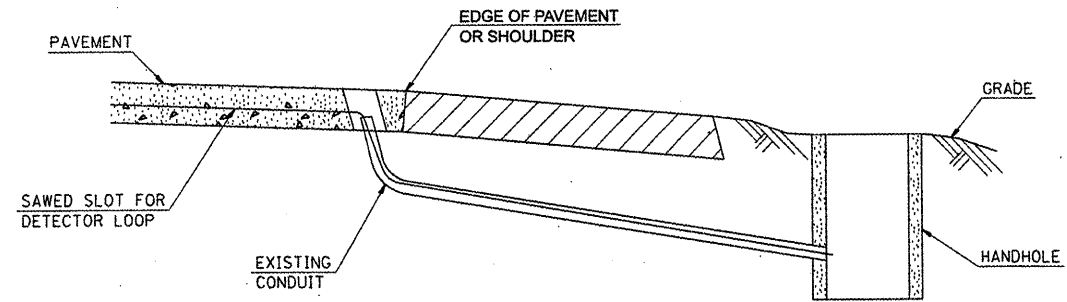


**GENERAL NOTES**

DETECTOR LOOPS SHALL BE PLACED IN THE PAVEMENT AFTER MILLING AND PRIOR TO RESURFACING.

THE EXISTING DETECTOR LOOP CONDUIT FROM PAVEMENT TO HANDHOLE WILL BE RE-USED FOR THE REPLACED DETECTOR LOOPS. THE CONTRACTOR WILL BE RESPONSIBLE FOR PROTECTING THE EXISTING CONDUIT DURING CONSTRUCTION. SHOULD ANY DAMAGE TO THE CONDUIT OCCUR DUE TO THE CONTRACTOR'S OPERATIONS, REPAIRS SHALL BE MADE TO THE SATISFACTION OF THE ENGINEER AND WILL BE DONE AT THE CONTRACTOR'S EXPENSE.

~~STANDARDS~~  
~~886001-01~~  
~~86006-01~~



**DETAIL**  
(NO SCALE)

**RE-USE EXISTING DETECTOR LOOP LEAD-IN CONDUIT**

- 1 DRILL OUT PAVEMENT SEALANT AND CLEAN EXISTING CONDUIT.
- 2 REMOVE EXISTING CABLE TO HANDHOLE.
- 3 INSTALL LOOP LEAD-IN CONDUCTORS IN CONDUIT.
- 4 SPLICE NEW DETECTOR LOOP LEAD-IN CONDUCTORS TO EXISTING LEAD-IN CABLE IN HANDHOLE.
- 5 FILL HOLE WITH APPROVED SEALER. PREVENT SEALER FROM ENTERING INTO CONDUIT.

NOT A PAY ITEM. THE COST OF THIS WORK SHALL BE INCLUDED IN THE PAY ITEM "DETECTOR LOOP REPLACEMENT".

LOCATING UNDERGROUND CABLE WILL BE PAID FOR SEPARATELY

**SCHEDULE OF QUANTITIES**

CODE NO	ITEM	UNIT	TOTAL	IL 158	STATE ST	IL 159
<del>80300100</del>	LOCATE UNDERGROUND CABLE	FOOT	158	<del>72</del>	86	72
<del>88600600</del>	DETECTOR LOOP REPLACEMENT	FOOT	2943	<del>1640</del>	778	2165

NOT TO SCALE

FILE NAME =	USER NAME = kerlesal	DESIGNED -	REVISED -	<b>STATE OF ILLINOIS DEPARTMENT OF TRANSPORTATION</b>	<b>ELECTRICAL GENERAL NOTES AND DETAILS</b>	F.A.W. RTE.	SECTION	COUNTY	TOTAL SHEETS	SHEET NO.
of\p\work\FWIDOT\KARLASAL\0155568\d876d44-shr-TS.dgn	DRAWN -	REVISED -	9251			26-IRS-3	ST. CLAIR	37	37	
PLOT SCALE = 42,9266' / IN.	CHECKED -	REVISED -	CONTRACT NO. 76D44							
PLOT DATE = 3/3/2018	DATE -	REVISED -	ILLINOIS FED. AID PROJECT							
SCALE: _____ SHEET NO. ____ OF ____ SHEETS STA. _____ TO STA. _____										