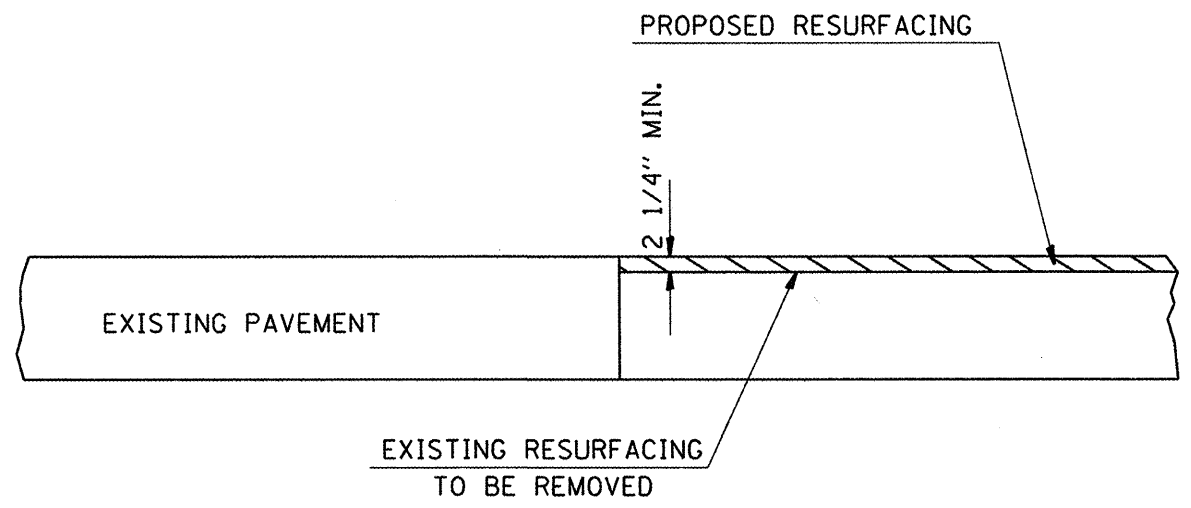
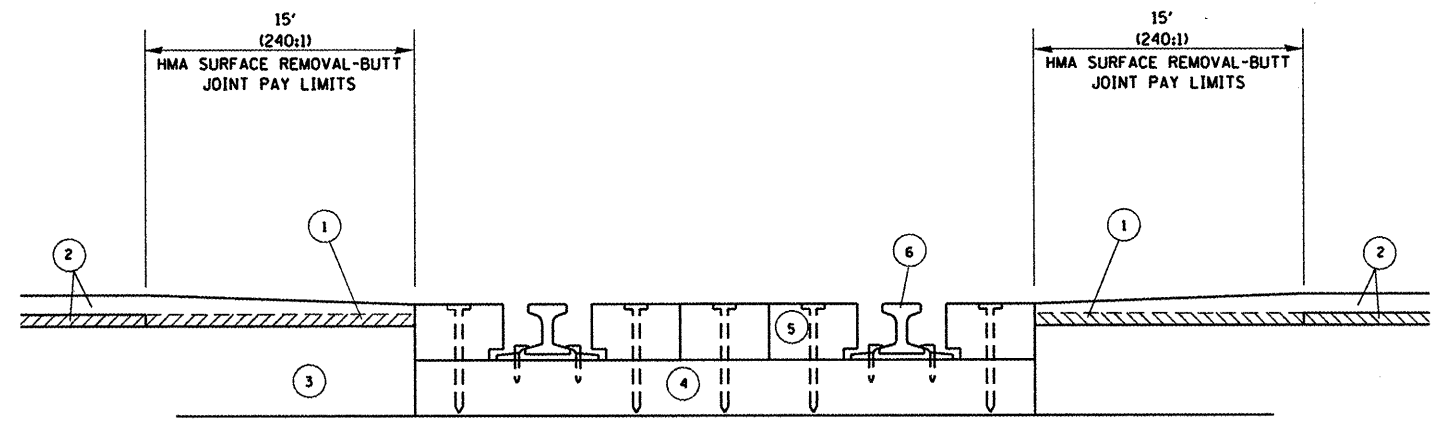


**BRIDGE OMISSION DETAIL**

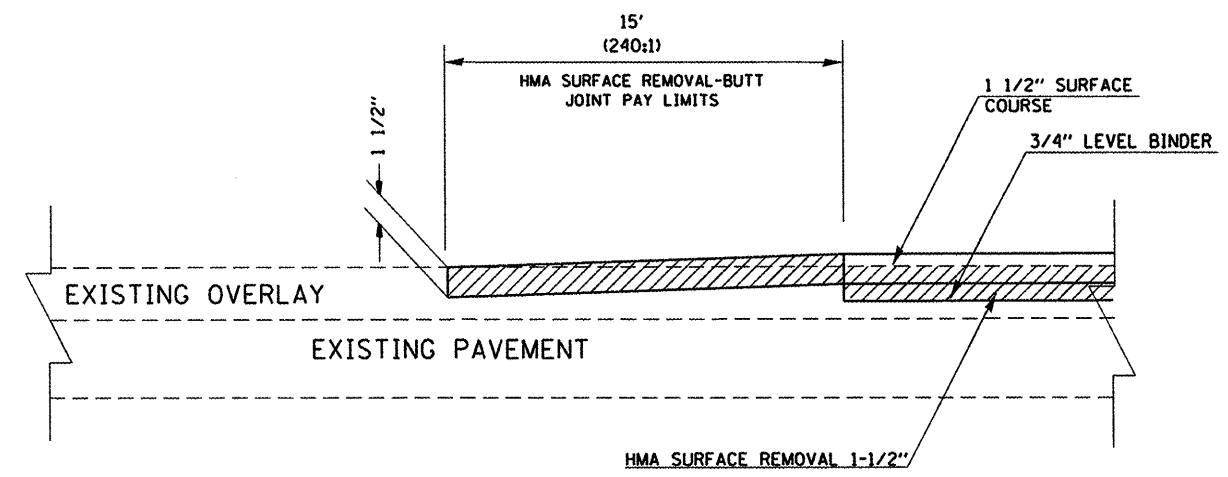


**MAINLINE JOINT DETAIL**  
IL 143/MADISON AVE. & END OF PROJECT



**JOINTS @ RAILROAD**

- ① PROPOSED 1 1/2" MILLING
- ② PROPOSED 2-1/4" RESURFACING
- ③ EXISTING PAVEMENT
- ④ EXISTING RR TIES
- ⑤ EXISTING RR PLANKS
- ⑥ EXISTING RAIL



**MAINLINE BUTT JOINT DETAIL**  
BEGINNING OF PROJECT

FILE NAME =	USER NAME = #USER#	DESIGNED -	REVISED -	<b>STATE OF ILLINOIS DEPARTMENT OF TRANSPORTATION</b>	<b>BUTT JOINT DETAILS</b>		F.A.P. RTE.	SECTION	COUNTY	TOTAL SHEETS	SHEET NO.	
#FILE#		DRAWN -	REVISED -		SCALE:	SHEET NO. 1 OF 2 SHEETS	STA.	582	14,5RS	MADISON	71	61
		CHECKED -	REVISED -				TO STA.					
		DATE -	REVISED -					FED. ROAD DIST. NO.	ILLINOIS FED. AID PROJECT			CONTRACT NO. 76D47