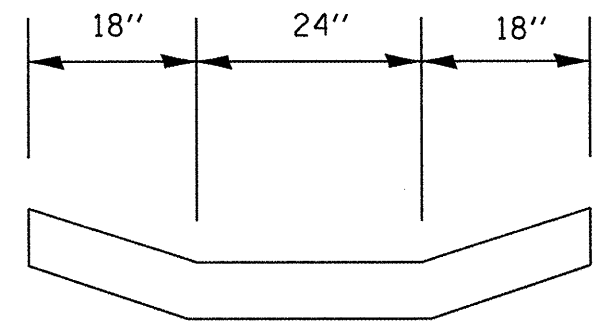
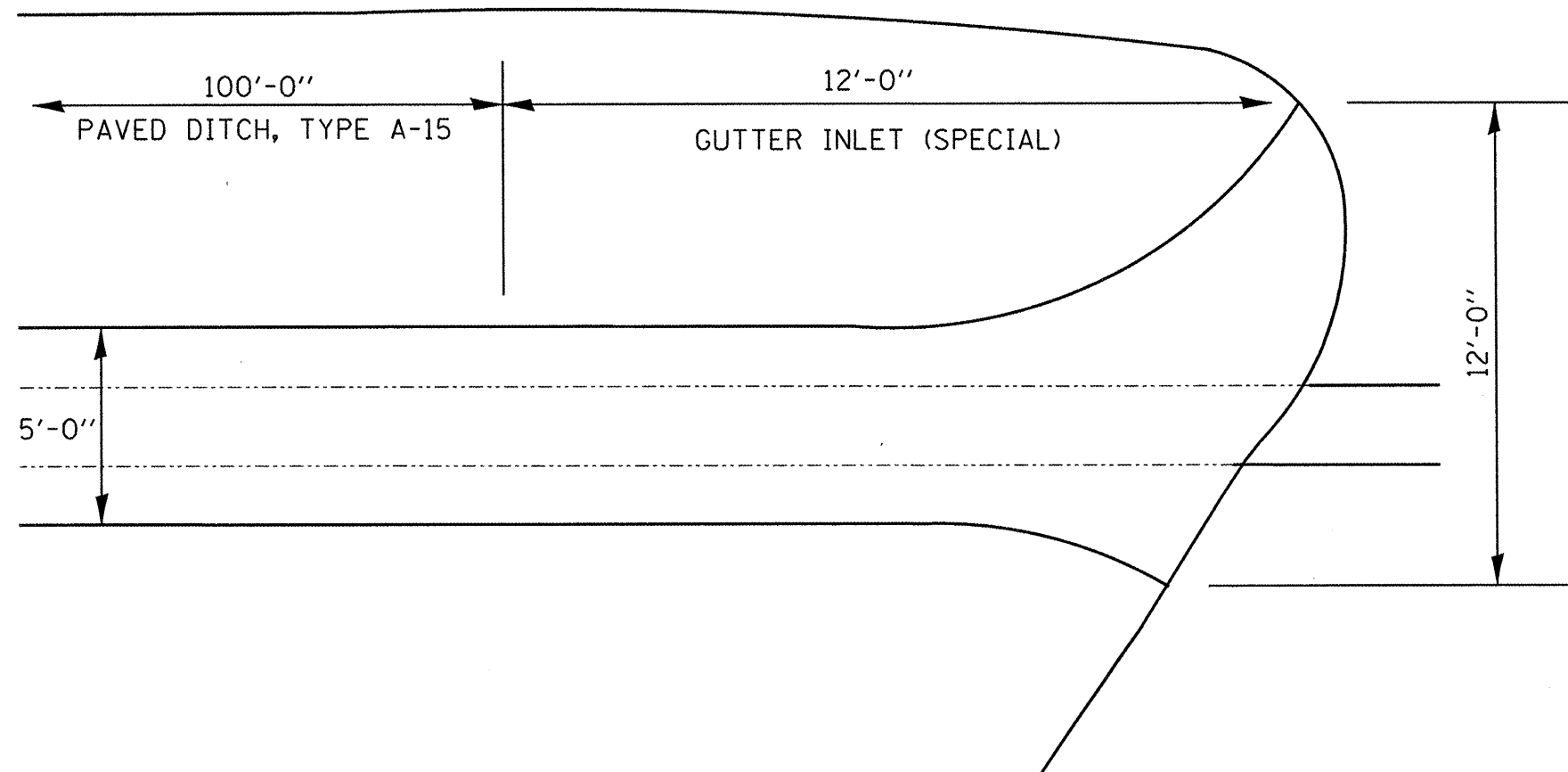
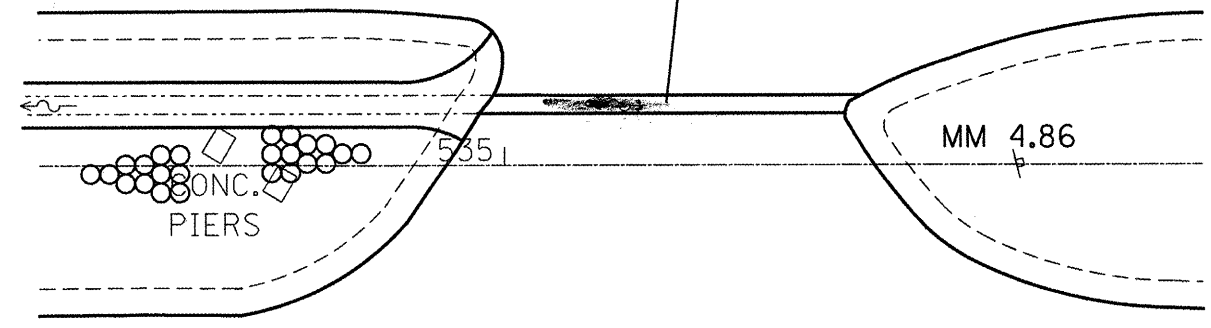


BITUMINOUS SWALE TO BE MADE IN THE CROSSOVER DURING PAVING OPERATIONS. PRICE TO BE INCLUDED IN THE COST OF INCIDENTAL HMA SURFACING.



SEE STD. 606401 FOR PAVED DITCH

FILE NAME =	USER NAME = #USER#	DESIGNED -	REVISED -	STATE OF ILLINOIS DEPARTMENT OF TRANSPORTATION	PAVED DITCH INLET DETAIL @ RAND ROAD			F.A.P. RTE. =	SECTION	COUNTY	TOTAL SHEETS	SHEET NO.	
#FILE#		DRAWN -	REVISED -		SCALE:	SHEET NO. 1 OF 1 SHEETS	STA.	TO STA.	582	(4,5)RS	MADISON	71	63
		CHECKED -	REVISED -										
		DATE -	REVISED -										
								CONTRACT NO. 76D47					
								ILLINOIS FED. AID PROJECT					