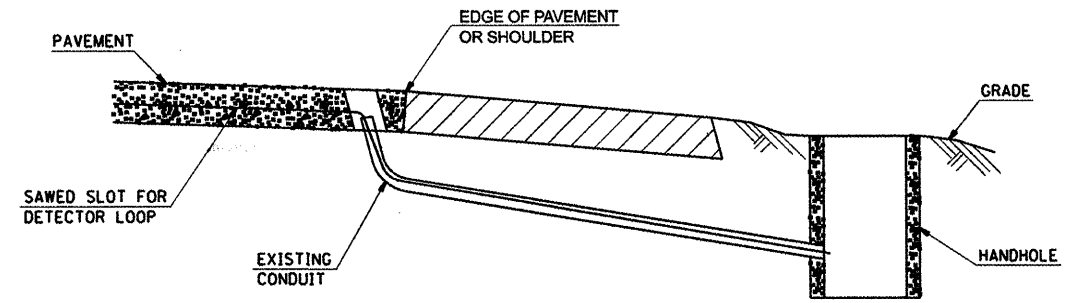


GENERAL NOTES

DETECTOR LOOPS SHALL BE PLACED IN THE PAVEMENT AFTER MILLING AND PRIOR TO RESURFACING.

THE EXISTING DETECTOR LOOP CONDUIT FROM PAVEMENT TO HANDHOLE WILL BE RE-USED FOR THE REPLACED DETECTOR LOOPS. THE CONTRACTOR WILL BE RESPONSIBLE FOR PROTECTING THE EXISTING CONDUIT DURING CONSTRUCTION. SHOULD ANY DAMAGE TO THE CONDUIT OCCUR DUE TO THE CONTRACTOR'S OPERATIONS, REPAIRS SHALL BE MADE TO THE SATISFACTION OF THE ENGINEER AND WILL BE DONE AT THE CONTRACTOR'S EXPENSE.



DETAIL
(NO SCALE)

RE-USE EXISTING DETECTOR LOOP LEAD-IN CONDUIT

- 1 DRILL OUT PAVEMENT SEALANT AND CLEAN EXISTING CONDUIT.
- 2 REMOVE EXISTING CABLE TO HANDHOLE.
- 3 INSTALL LOOP LEAD-IN CONDUCTORS IN CONDUIT.
- 4 SPLICE NEW DETECTOR LOOP LEAD-IN CONDUCTORS TO EXISTING LEAD-IN CABLE IN HANDHOLE.
- 5 FILL HOLE WITH APPROVED SEALER. PREVENT SEALER FROM ENTERING INTO CONDUIT.

NOT A PAY ITEM. THE COST OF THIS WORK SHALL BE INCLUDED IN THE PAY ITEM "DETECTOR LOOP REPLACEMENT".

LOCATING UNDERGROUND CABLE WILL BE PAID FOR SEPARATELY

SCHEDULE OF QUANTITIES

CODE NO	ITEM	UNIT	TOTAL	HAWTHORNE MADISON	NEW POAG RD	EDWARDSVILLE RD	ESTHER AVE	THOMAS ST	TYDEMAN ST
80300100	LOCATE UNDERGROUND CABLE	FOOT	290	180	40	25	15	15	15
88600600	DETECTOR LOOP REPLACEMENT	FOOT	2765	850	1115	350	150	150	150

FILE NAME =	USER NAME = #USER#	DESIGNED -	REVISED -	STATE OF ILLINOIS DEPARTMENT OF TRANSPORTATION	ELECTRICAL GENERAL NOTES AND DETAILS	F.A.P. RTE.	SECTION	COUNTY	TOTAL SHEETS	SHEET NO.	
#FILE#		DRAWN -	REVISED -			582	(4, 5)RS	MADISON	71	64	
	PLOT SCALE = #SCALE#	CHECKED -	REVISED -			76D47					
	PLOT DATE = #DATE#	DATE -	REVISED -			ILLINOIS FED. AID PROJECT					
						STA.	TO STA.				