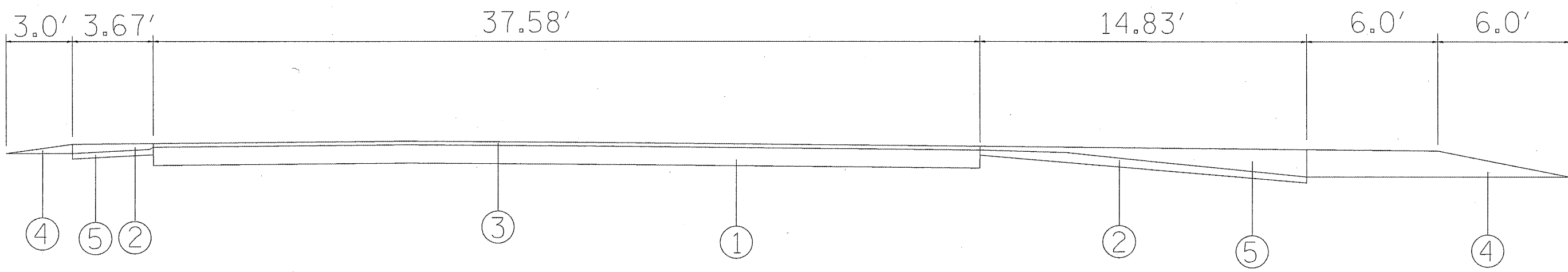


SECTION B-B



TANGENT SECTION
265' FROM BEGIN POINT

- ① EXISTING PAVEMENT 10"
- ② EXISTING BITUMINOUS SHOULDER
- ③ PROPOSED POLYMERIZED HMA SURFACE COURSE, MIX "D", N90 - 2"
- ④ PROPOSED AGGREGATE WEDGE SHOULDER
- ⑤ PROPOSED HMA SHOULDER - VAR. DEPTH

FILE NAME =	USER NAME = watersle	DESIGNED - ---	REVISED - ---	STATE OF ILLINOIS DEPARTMENT OF TRANSPORTATION	TYPICAL SECTION	F.A.I. RTE.	SECTION	COUNTY	TOTAL SHEETS	SHEET NO.	
cr:\pw\work\PMIDOT\WATERSLE\d0165625\d876d55-shtr-plan.dgn		DRAWN - ---	REVISED - ---			55/70	60-81-2	MADISON	16	7	
		CHECKED - ---	REVISED - ---			SCALE: _____ SHEET NO. 2 OF 3 SHEETS STA. _____ TO STA. _____		FED. ROAD DIST. NO. 8 ILLINOIS FED. AID PROJECT			
		DATE - -----	REVISED - ---								