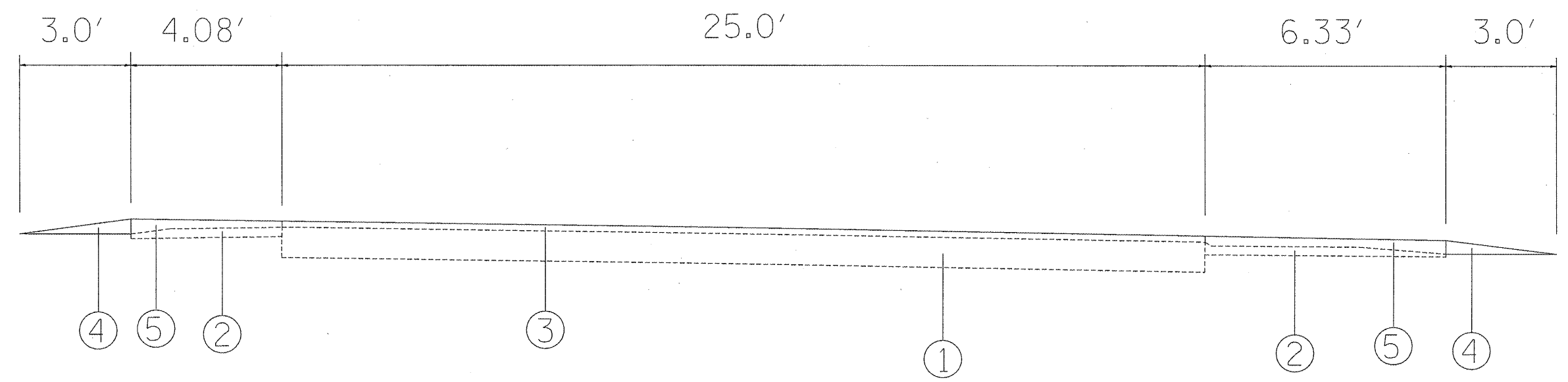


SECTION C-C



SUPERELEVATION SECTION  
565' FROM BEGIN POINT

- ① EXISTING PAVEMENT 10"
- ② EXISTING BITUMINOUS SHOULDER
- ③ PROPOSED POLYMERIZED HMA SURFACE COURSE, MIX "D", N90 - 2"
- ④ PROPOSED AGGREGATE WEDGE SHOULDER
- ⑤ PROPOSED HMA SHOULDER - VAR. DEPTH

FILE NAME =	USER NAME = water-sle	DESIGNED -	REVISED -	<b>STATE OF ILLINOIS DEPARTMENT OF TRANSPORTATION</b>	<b>TYPICAL SECTION</b>	F.A.I. RTE.	SECTION	COUNTY	TOTAL SHEETS	SHEET NO.
ct\p_wor-k\PMIDOT\WATERSLE\d0165625\d876d55-shr-plen.dgn	DRAWN -	REVISED -	55/70			TYPICAL SECTION	MADISON	16	8	
PLOT SCALE = 1/83.1218' / 1IN.	CHECKED -	REVISED -	CONTRACT NO. 76D55							
PLOT DATE = 3/18/2010	DATE -	REVISED -	FED. ROAD DIST. NO. 8 ILLINOIS FED. AID PROJECT							
					SCALE: _____	SHEET NO. 3 OF 3 SHEETS		STA. _____ TO STA. _____		