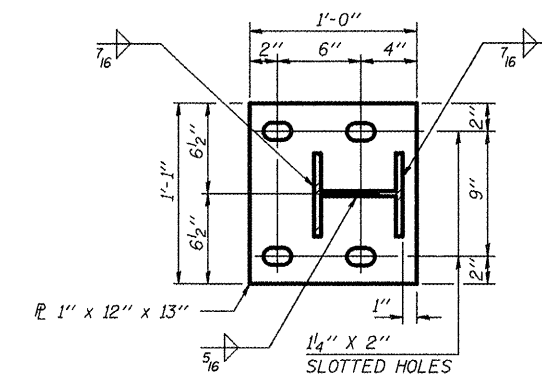
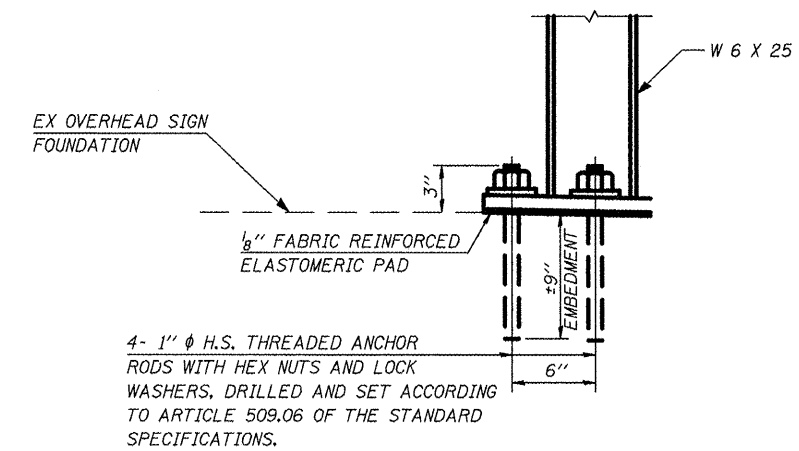


SECTION A-A



BASE PLATE DETAIL



SECTION AT RAIL POST

FILE NAME =	USER NAME = washingtona	DESIGNED -	REVISED -	STATE OF ILLINOIS DEPARTMENT OF TRANSPORTATION	GUARD RAIL DETAILS	F.A.P. RTE.	SECTION	COUNTY	TOTAL SHEETS	SHEET NO.	
cr\pw_work\VP\WIDOT\WASHINGTONA\j016838	d876d63-ahtr-plen.dgn	DRAWN -	REVISED -			103	28-11-1	ST. CLAIR	25	25	
PLOT SCALE = 96.0000' / IN.	CHECKED -	REVISED -	SCALE: 1" = 20'			SHEET NO. OF SHEETS	STA. 307+00 TO STA. 313+00	FED. ROAD DIST. NO. ILLINOIS FED. AID PROJECT			
PLOT DATE = 3/19/2010	DATE -	REVISED -	CONTRACT NO. 76063								