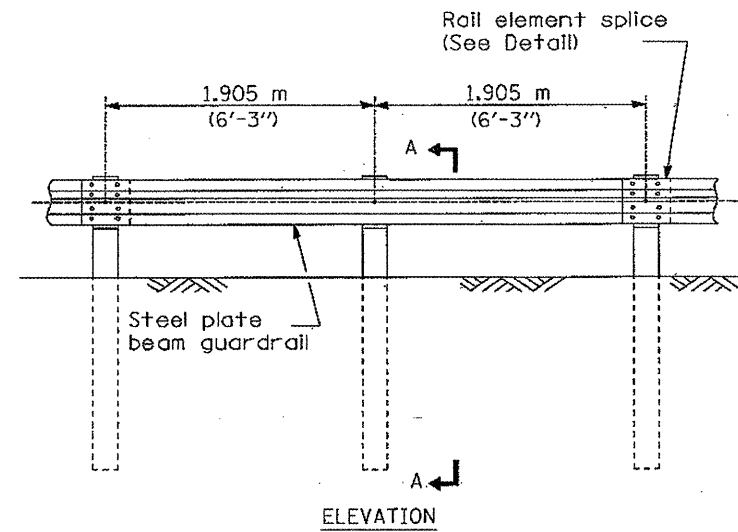
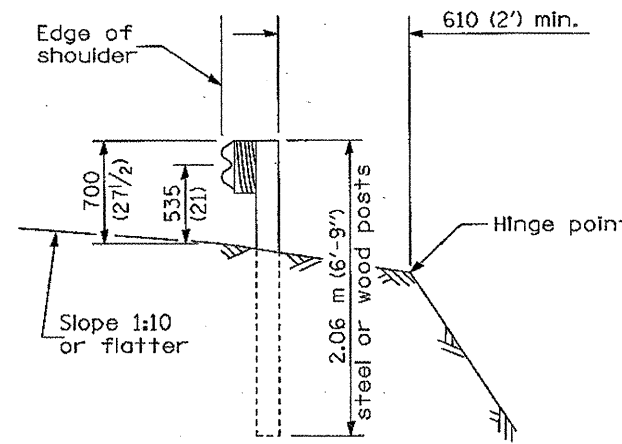


F.A.P. RTE.	SECTION	COUNTY	TOTAL SHEETS	SHEET NO.
103	28-II-1	ST. CLAIR	25	25A
FED. ROAD DIST. NO.		ILLINOIS	FED. AID PROJECT	

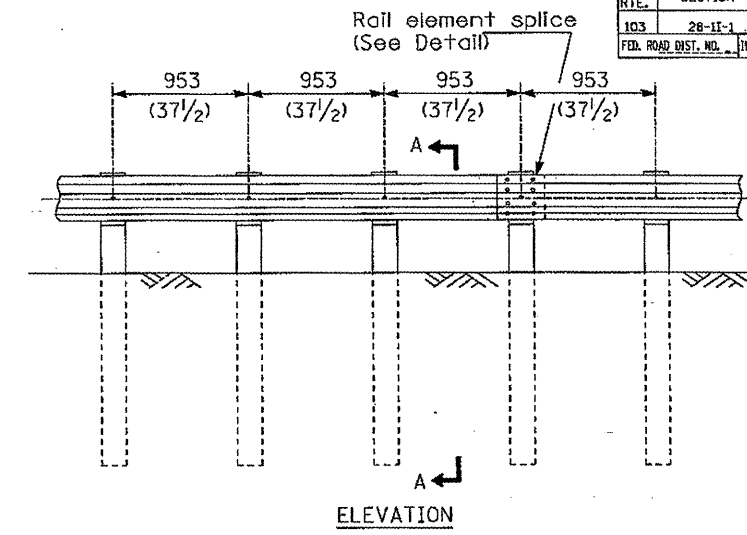


TYPE A

1.905 m (6'-3") Typical post spacing

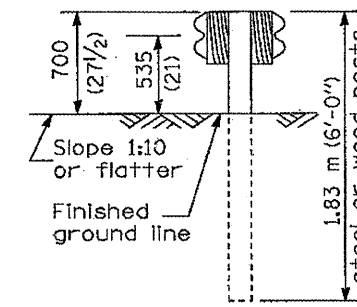


SECTION A-A

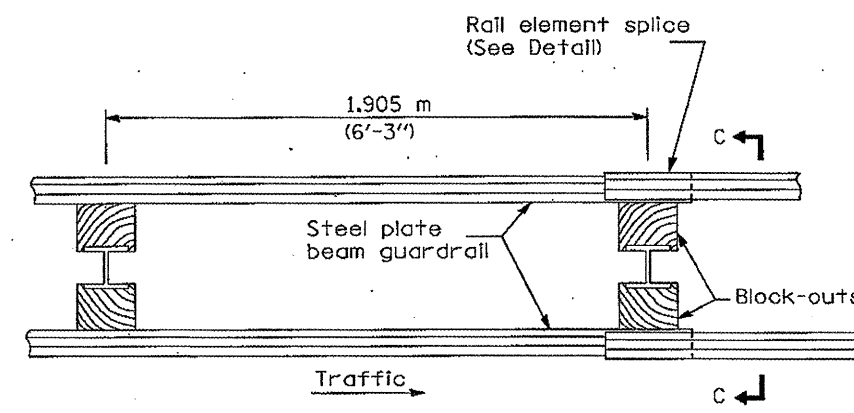


TYPE B

953 (37 1/2) Closed post spacing



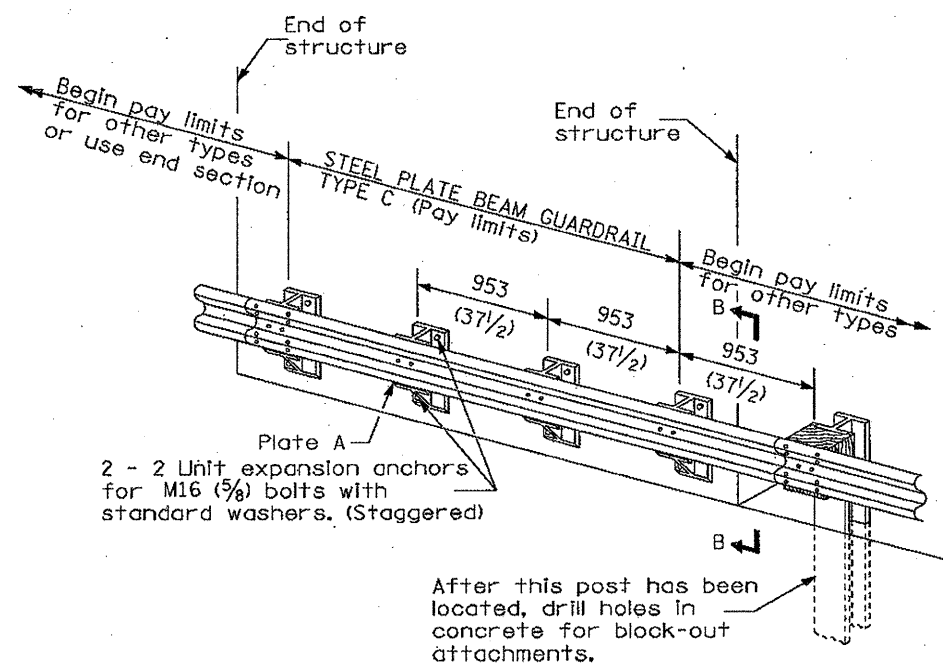
SECTION C-C



PLAN

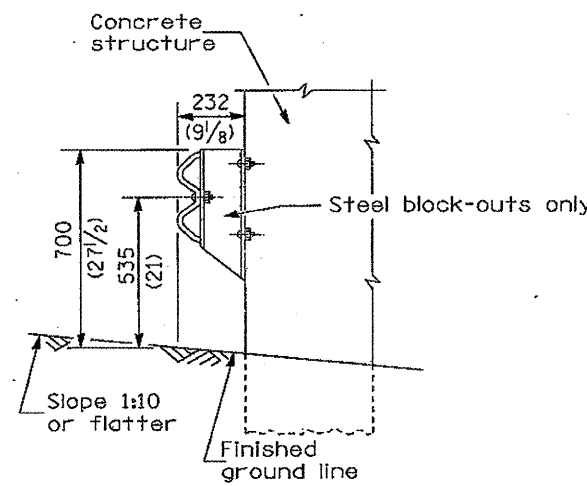
TYPE D

Double steel plate beam guardrail
1.905 m (6'-3") typical post spacing



TYPE C

953 (37 1/2) Block-out spacing



SECTION B-B

GENERAL NOTES

All slope ratios are expressed as units of vertical displacement to units of horizontal displacement (V:H).
All dimensions are in millimeters (inches) unless otherwise shown.
The existing steel posts may be drilled to match the bolt pattern shown herein for the wood block-out, or a new steel post shall be provided.
This detail is applicable to the guardrail system used prior to January 1, 2007. For details on the Midwest Guardrail System, see Standard 630001.

STEEL PLATE BEAM GUARDRAIL TYPE A

(Sheet 1 of 4)

GUARDRAIL DETAIL