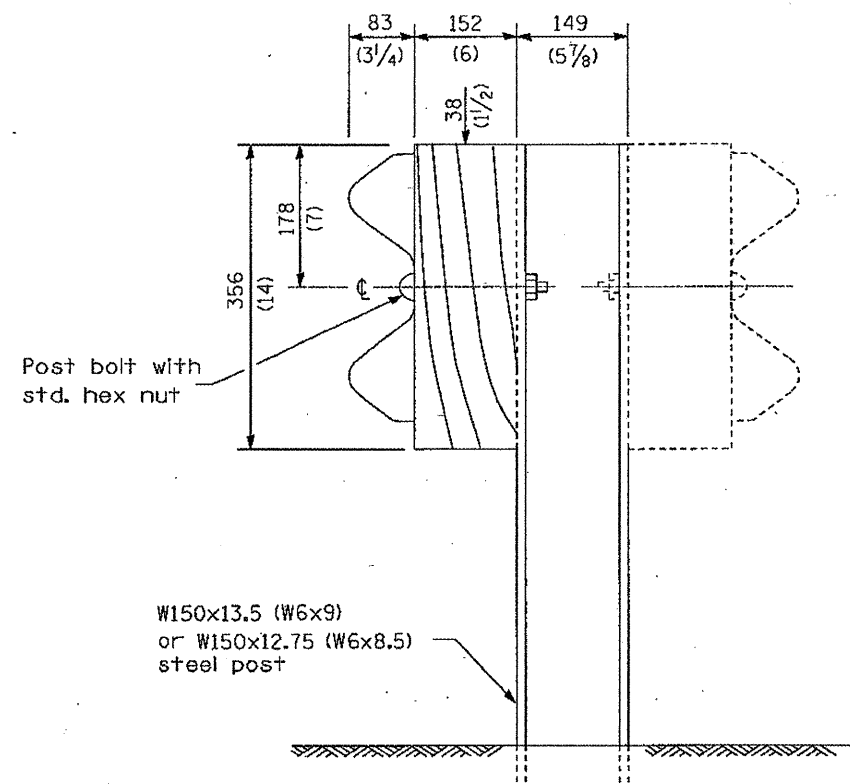
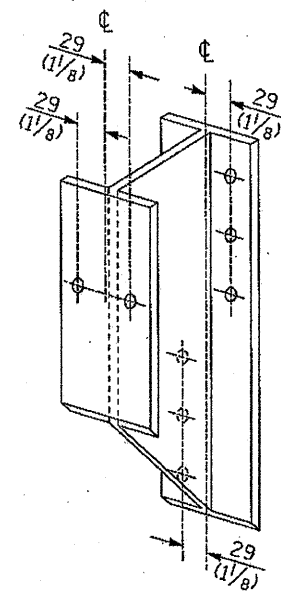


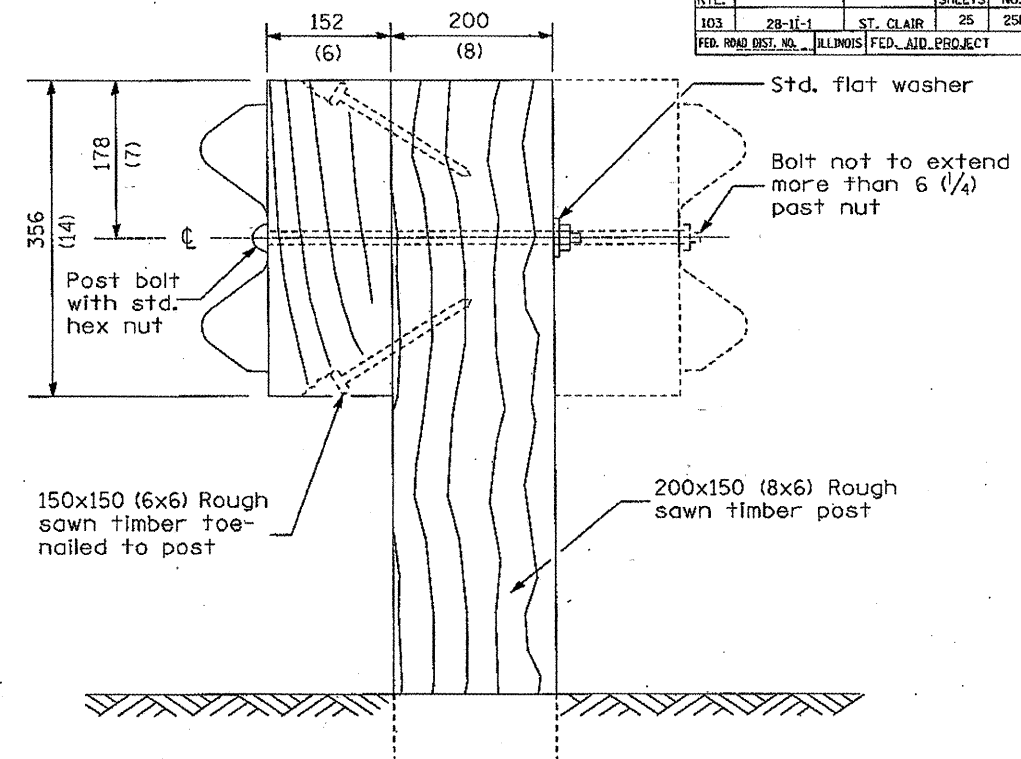
F.A.P. RTE.	SECTION	COUNTY	TOTAL SHEETS	SHEET NO.
103	28-11-1	ST. CLAIR	25	25B
FED. ROAD DIST. NO. ILLINOIS FED. AID PROJECT				



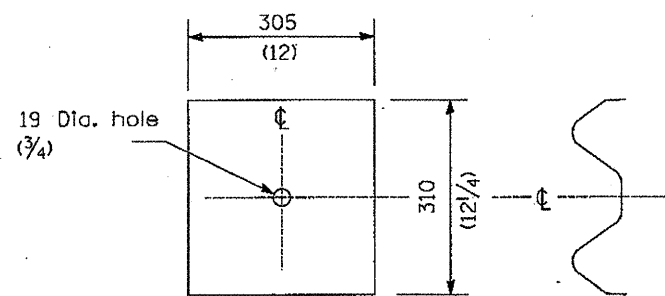
STEEL POST CONSTRUCTION



STEEL BLOCK-OUT DETAIL



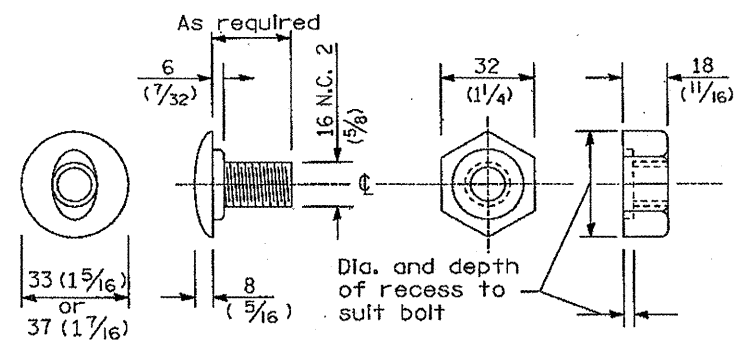
WOOD POST CONSTRUCTION



NOTE

Plate A shall be placed between rail element and block-out at non-splice mounting points only when steel block-outs are used.

PLATE A



POST OR SPLICE BOLT & NUT

STEEL PLATE BEAM GUARDRAIL  
TYPE A

(Sheet 2 of 4)

GUARDRAIL DETAIL