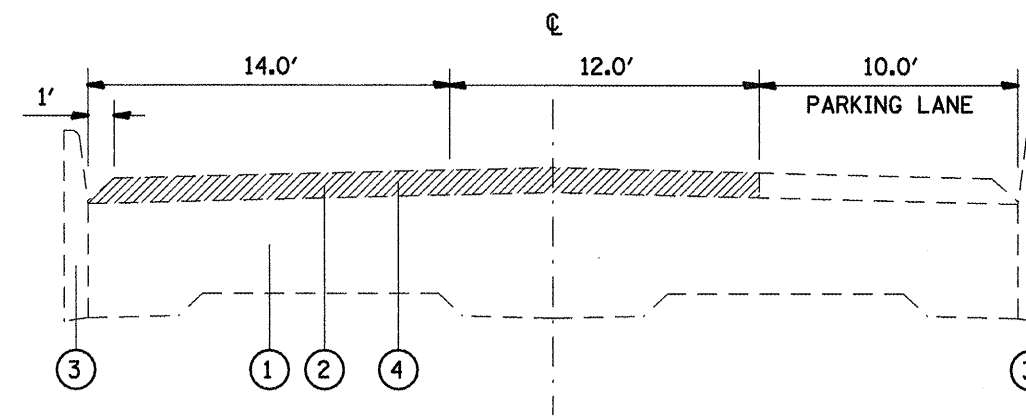
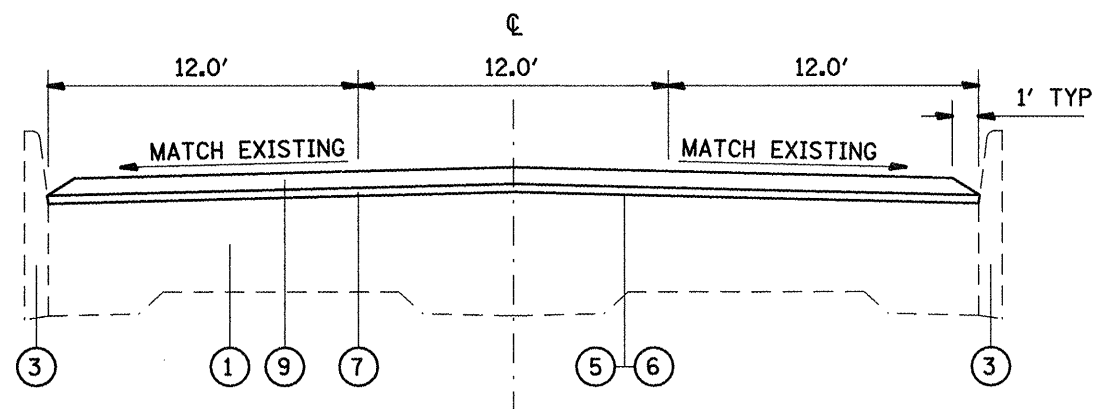


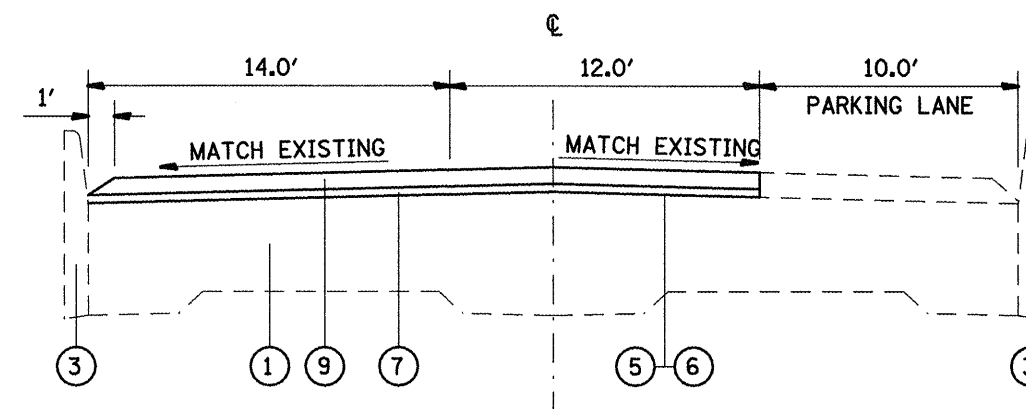
EXISTING TYPICAL SECTION  
(BOND AVE)



EXISTING TYPICAL SECTION  
(BOND AVE)



PROPOSED TYPICAL SECTION  
(BOND AVE)



PROPOSED TYPICAL SECTION  
(BOND AVE)

STA. 0+00 to STA. 2+48	STA. 41+49 to STA. 43+15
STA. 3+48 to STA. 4+68	STA. 44+74 to STA. 51+26
STA. 8+90 to STA. 10+49	STA. 53+11 to STA. 54+24
STA. 11+81 to STA. 17+30	STA. 60+04 to STA. 60+59
STA. 18+68 to STA. 20+52	STA. 60+69 to STA. 61+19
STA. 22+64 to STA. 29+16	STA. 66+47 to STA. 68+49
STA. 30+48 to STA. 32+06	STA. 72+77 to STA. 74+30
STA. 33+71 to STA. 40+17	STA. 75+89 to STA. 79+47

STA. 2+48 to STA. 3+48	STA. 40+17 to STA. 41+49
STA. 4+68 to STA. 8+90	STA. 43+15 to STA. 44+74
STA. 10+49 to STA. 11+81	STA. 51+26 to STA. 53+11
STA. 17+30 to STA. 18+68	STA. 54+24 to STA. 60+04
STA. 20+52 to STA. 22+64	STA. 61+19 to STA. 66+47
STA. 29+16 to STA. 30+48	STA. 68+49 to STA. 72+77
STA. 32+06 to STA. 33+71	STA. 74+30 to STA. 75+89

**LEGEND**

- ① EXISTING CONCRETE PAVEMENT
- ② EXISTING HMA OVERLAY
- ③ EXISTING CONCRETE CURB AND GUTTER
- ④ PROPOSED HMA SURFACE REMOVAL - 2"
- ⑤ PROPOSED BITUMINOUS MATERIALS (PRIME COAT)
- ⑥ PROPOSED AGGREGATE (PRIME COAT)
- ⑦ PROPOSED LEVELING BINDER (MM), N70 - 3/4"
- ⑧ PROPOSED LEVELING BINDER (MM), N70 - 1"
- ⑨ PROPOSED HMA SURFACE COURSE, MIX D, N70 - 1 1/2"

NOT TO SCALE

FILE NAME =  
c:\pwwork\VPWIDOT\WATERSLE\d0174384\d8

USER NAME = watersle  
6d75-ahp-plan.dgn  
PLOT SCALE = 1/8" = 1' IN.  
PLOT DATE = 3/17/2010

DESIGNED -  
DRAWN -  
CHECKED -  
DATE -

REVISED -  
REVISED -  
REVISED -  
REVISED -

STATE OF ILLINOIS  
DEPARTMENT OF TRANSPORTATION

TYPICAL SECTIONS (LOCATION #1 - BOND AVE.)  
SCALE: SHEET NO. 1 OF 1 SHEETS STA. TO STA.

F.A. RTE. 9228-9189	SECTION (Z-1)RS-2, 29RS-6	COUNTY ST. CLAIR	TOTAL SHEETS 33	SHEET NO. 4
CONTRACT NO. 76D75			FED. ROAD DIST. NO. 8 ILLINOIS FED. AID PROJECT	