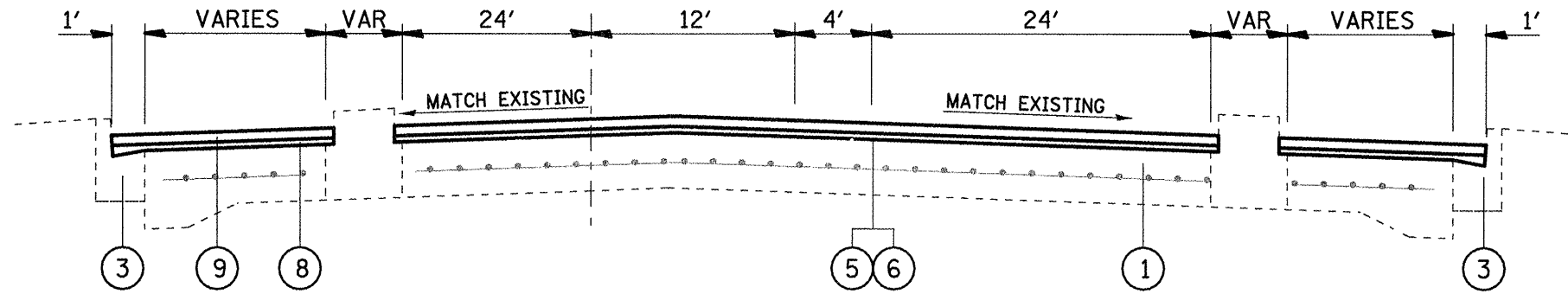
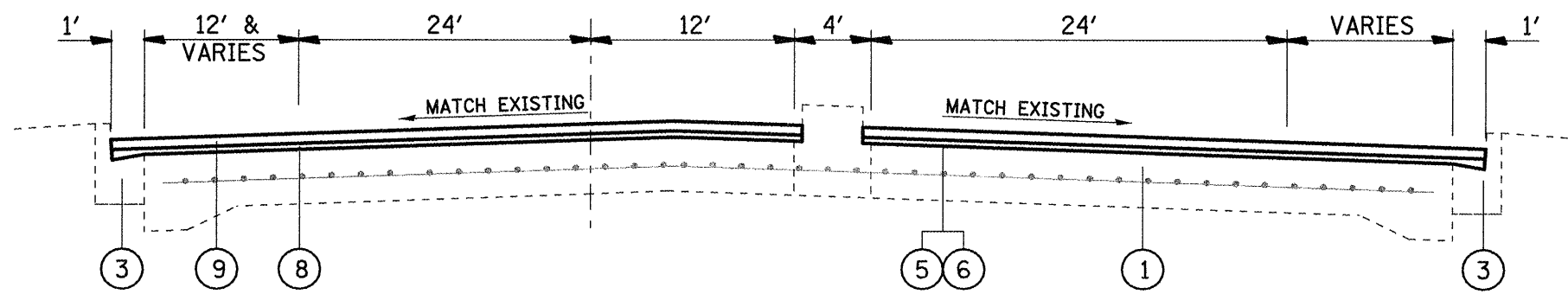


LOCATION 3
TYPICAL SECTION
STA 312+26 TO STA 312+59



LOCATION 3
TYPICAL SECTION
STA 313+24 TO STA 313+53



LOCATION 3
TYPICAL SECTION
STA 313+53 TO STA 314+44

NOT TO SCALE

LEGEND

- ① EXISTING CONCRETE PAVEMENT
- ② EXISTING HMA OVERLAY
- ③ EXISTING CONCRETE CURB AND GUTTER
- ④ PROPOSED HMA SURFACE REMOVAL - 2"
- ⑤ PROPOSED BITUMINOUS MATERIALS (PRIME COAT)
- ⑥ PROPOSED AGGREGATE (PRIME COAT)
- ⑦ PROPOSED LEVELING BINDER (MM), N70 - 3/4"
- ⑧ PROPOSED LEVELING BINDER (MM), N70 - 1"
- ⑨ PROPOSED HMA SURFACE COURSE, MIX D, N70 - 1 1/2"

FILE NAME =
c:\pwwork\pwwid\DOT\WATERSLE\8174384\d8

USER NAME = watersle
6d75-ehtr-plan.dgn
PLOT SCALE = 100.0000' / IN.
PLOT DATE = 3/17/2010

| | |
|------------|-----------|
| DESIGNED - | REVISED - |
| DRAWN - | REVISED - |
| CHECKED - | REVISED - |
| DATE - | REVISED - |

**STATE OF ILLINOIS
DEPARTMENT OF TRANSPORTATION**

TYPICAL SECTIONS (LOCATION #3 - 25TH STREET)

SCALE: SHEET NO. 4 OF 7 SHEETS STA. TO STA.

| | | | | |
|---|----------------------------|---------------------|--------------------|----------------|
| F.A. DIST. NO. 9189 | SECTION Z-1RS-2, 29RS-6 | COUNTY ST. CLAIR | TOTAL SHEETS 33 | SHEET NO. 9 |
| CONTRACT NO. 76D75 | | | | |
| FED. ROAD DIST. NO. 8 ILLINOIS FED. AID PROJECT | | | | |