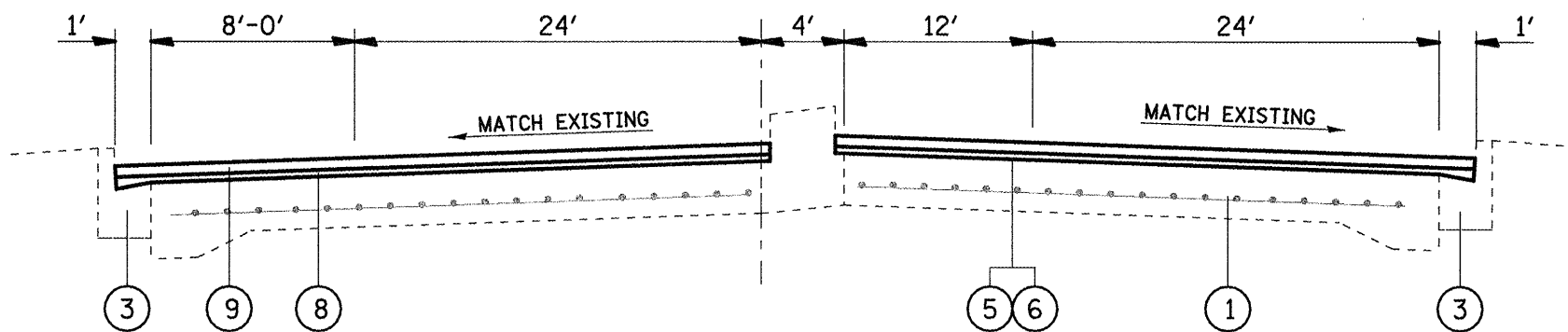
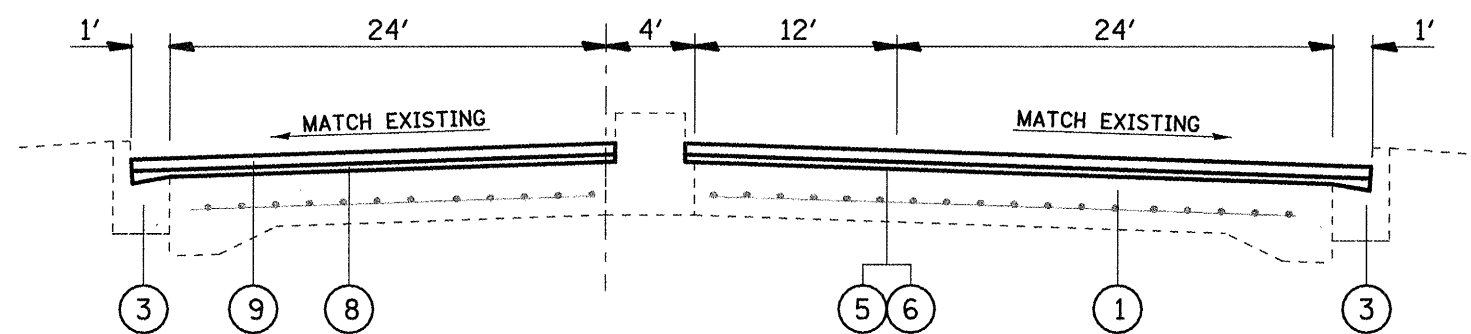


LOCATION 3
TYPICAL SECTION
STA 314+44 TO STA 315+17



LOCATION 3
TYPICAL SECTION
STA 315+17 TO STA 315+87



LOCATION 3
TYPICAL SECTION
STA 315+87 TO STA 317+15

NOT TO SCALE

LEGEND

- ① EXISTING CONCRETE PAVEMENT
- ② EXISTING HMA OVERLAY
- ③ EXISTING CONCRETE CURB AND GUTTER
- ④ PROPOSED HMA SURFACE REMOVAL - 2"
- ⑤ PROPOSED BITUMINOUS MATERIALS (PRIME COAT)
- ⑥ PROPOSED AGGREGATE (PRIME COAT)
- ⑦ PROPOSED LEVELING BINDER (MM), N70 - 3/4"
- ⑧ PROPOSED LEVELING BINDER (MM), N70 - 1"
- ⑨ PROPOSED HMA SURFACE COURSE, MIX D, N70 - 1 1/2"

FILE NAME =
c:\pwwork\pwwid\WATERSLE\0174384.dwg

USER NAME = wotersle
6d75-shr-plan.dgn
PLOT SCALE = 1/8" = 1' IN.
PLOT DATE = 3/17/2010

DESIGNED -
DRAWN -
CHECKED -
DATE -

REVISED -
REVISED -
REVISED -
REVISED -

STATE OF ILLINOIS
DEPARTMENT OF TRANSPORTATION

TYPICAL SECTIONS (LOCATION #3 - 25TH STREET)
SCALE: SHEET NO. 5 OF 7 SHEETS STA. TO STA.

F.A. RTE. 9226 / 9189	SECTION (Z-1)RS-2, 29RS-6	COUNTY ST. CLAIR	TOTAL SHEETS 33	SHEET NO. 10
CONTRACT NO. 76D75			FED. ROAD DIST. NO. 8 ILLINOIS FED. AID PROJECT	