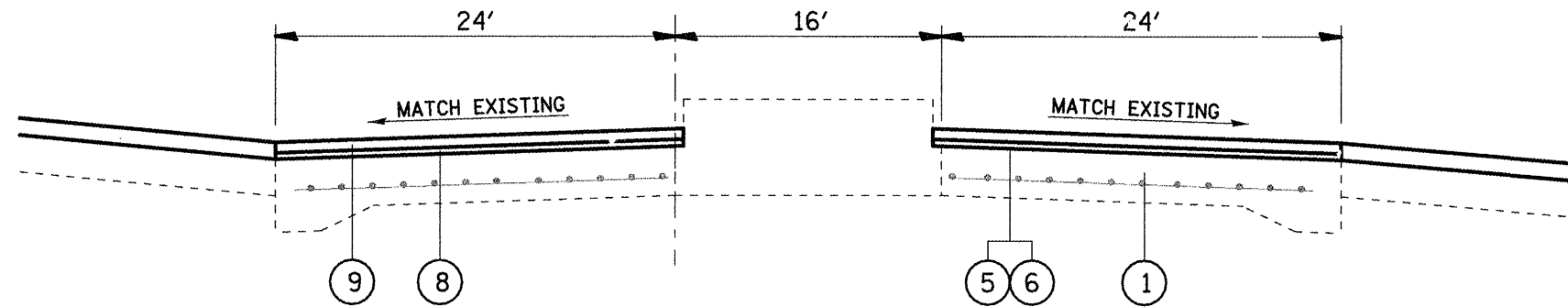
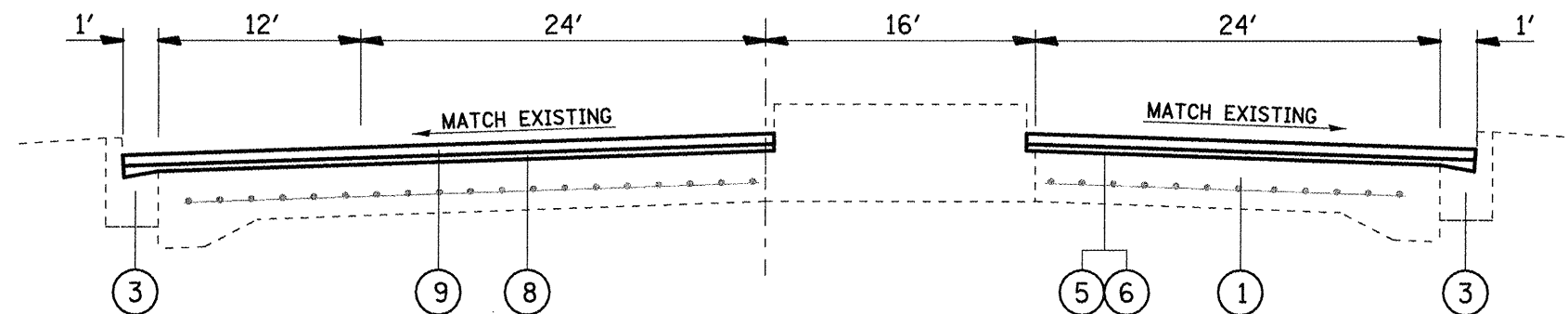


LOCATION 3
TYPICAL SECTION
STA 317+15 TO STA 317+76



LOCATION 3
TYPICAL SECTION
STA 317+76 TO STA 318+77



LOCATION 3
TYPICAL SECTION
STA 318+77 TO STA 321+60

LEGEND

- ① EXISTING CONCRETE PAVEMENT
- ② EXISTING HMA OVERLAY
- ③ EXISTING CONCRETE CURB AND GUTTER
- ④ PROPOSED HMA SURFACE REMOVAL - 2"
- ⑤ PROPOSED BITUMINOUS MATERIALS (PRIME COAT)
- ⑥ PROPOSED AGGREGATE (PRIME COAT)
- ⑦ PROPOSED LEVELING BINDER (MM), N70 - 3/4"
- ⑧ PROPOSED LEVELING BINDER (MM), N70 - 1"
- ⑨ PROPOSED HMA SURFACE COURSE, MIX D, N70 - 1/2"

NOT TO SCALE

FILE NAME =	USER NAME = watersle	DESIGNED -	REVISED -
ca:\pwwork\PMIDOT\WATERSLE\d0174384\d01	6d75-ght-plan.dgn	DRAWN -	REVISED -
	PLOT SCALE = 1/8" = 1' / IN.	CHECKED -	REVISED -
	PLOT DATE = 3/17/2010	DATE -	REVISED -

**STATE OF ILLINOIS
DEPARTMENT OF TRANSPORTATION**

TYPICAL SECTIONS (LOCATION #3 - 25TH STREET)			
SCALE:	SHEET NO. 6 OF 7 SHEETS	STA.	TO STA.

F.A. DIST. NO. 9228	SECTION (Z-1RS-2, 29RS-6)	COUNTY ST. CLAIR	TOTAL SHEETS 33	SHEET NO. 11
CONTRACT NO. 76075			FED. ROAD DIST. NO. 6 ILLINOIS FED. AID PROJECT	