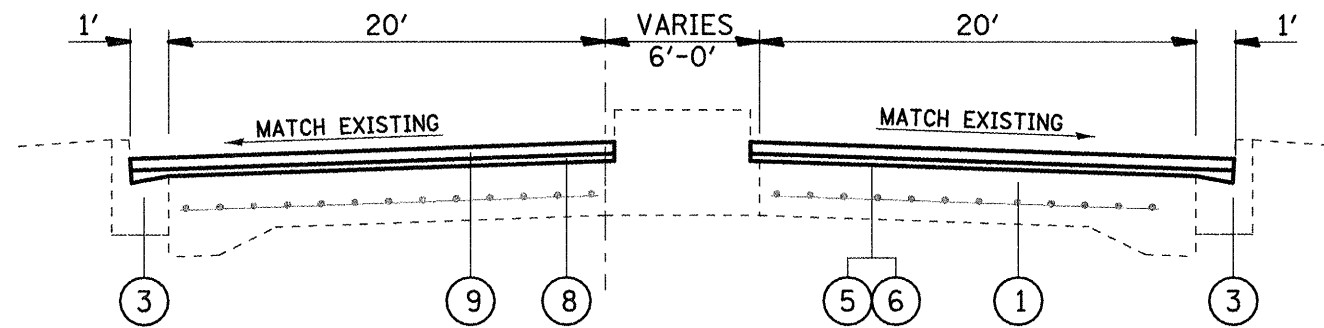


LOCATION 3  
TYPICAL SECTION  
STA 321+60 TO STA 324+37



LOCATION 3  
TYPICAL SECTION  
STA 324+37 TO STA 326+62

**LEGEND**

- ① EXISTING CONCRETE PAVEMENT
- ② EXISTING HMA OVERLAY
- ③ EXISTING CONCRETE CURB AND GUTTER
- ④ PROPOSED HMA SURFACE REMOVAL - 2"
- ⑤ PROPOSED BITUMINOUS MATERIALS (PRIME COAT)
- ⑥ PROPOSED AGGREGATE (PRIME COAT)
- ⑦ PROPOSED LEVELING BINDER (MM), N70 - 3/4"
- ⑧ PROPOSED LEVELING BINDER (MM), N70 - 1"
- ⑨ PROPOSED HMA SURFACE COURSE, MIX D, N70 - 1/2"

NOT TO SCALE

FILE NAME =	USER NAME = waterale	DESIGNED -	REVISED -	<b>STATE OF ILLINOIS DEPARTMENT OF TRANSPORTATION</b>	<b>TYPICAL SECTIONS (LOCATION #3 - 25TH STREET)</b>	F.A. B.T.E.	SECTION	COUNTY	TOTAL SHEETS	SHEET NO.	
cr\pwwork\PWIDOT\WATERSLE\d0174384\d8	6d75-ahtr-plan.dgn	DRAWN -	REVISED -			9228	(Z-1)RS-2, 29RS-6	ST. CLAIR	33	12	
	PLOT SCALE = 1/8" = 1' IN.	CHECKED -	REVISED -			9189					<b>CONTRACT NO. T6D75</b>
	PLOT DATE = 3/17/2010	DATE -	REVISED -			SCALE:	SHEET NO. 7 OF 7 SHEETS	STA.	TO STA.	FED. ROAD DIST. NO. 8 (ILLINOIS) FED. AID PROJECT	