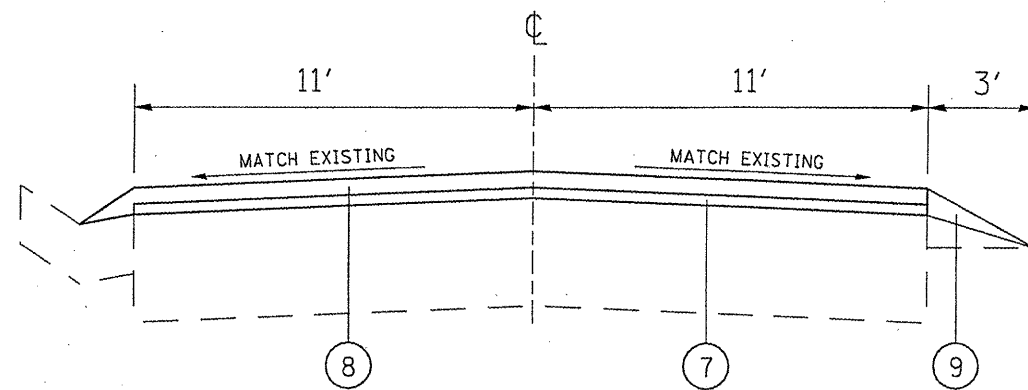
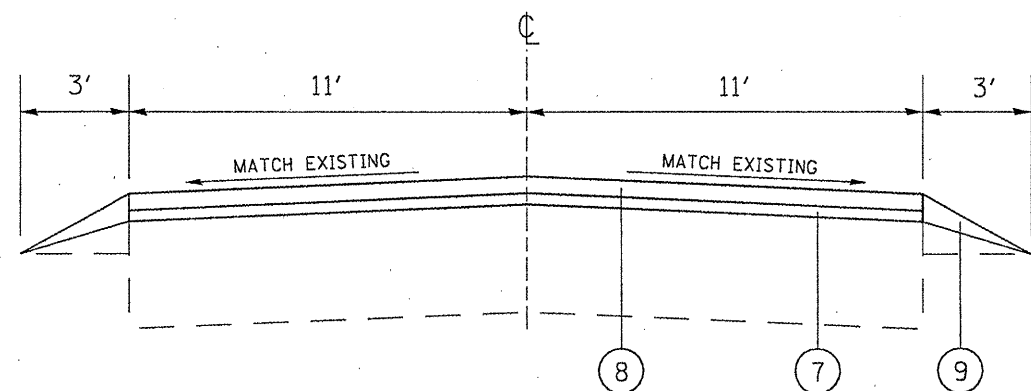


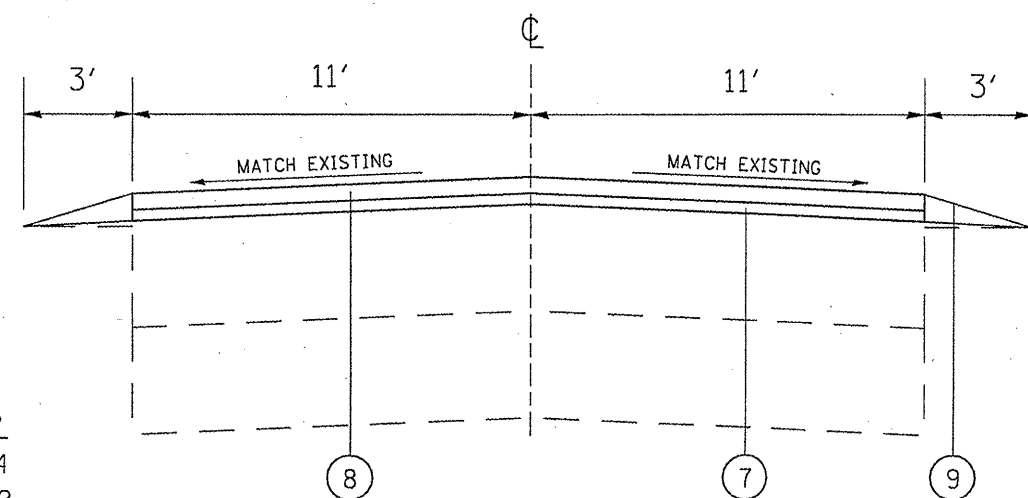
PROPOSED TYPICAL SECTION
MILE STA 0.02 TO 0.03



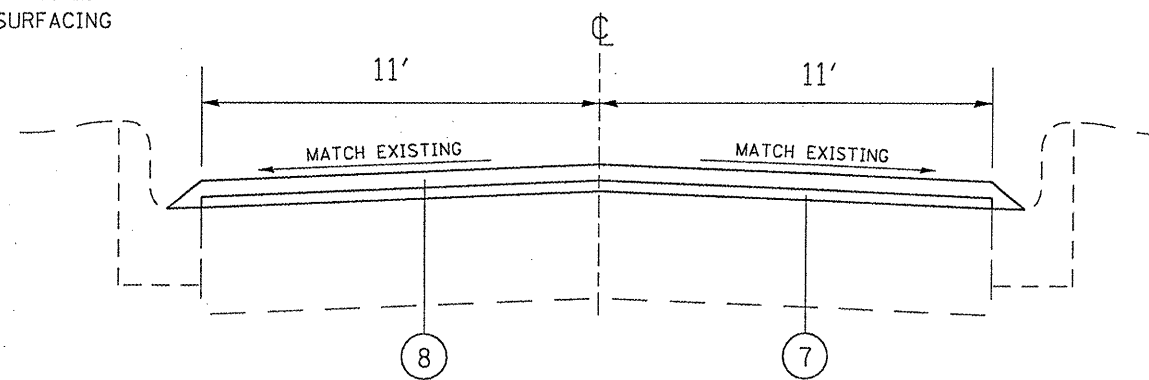
PROPOSED TYPICAL SECTION
MILE STA 1.55 TO 1.79



PROPOSED TYPICAL SECTION
MILE STA 0.03 TO 0.21*
MILE STA 0.55 TO 1.55
MILE STA 1.79 TO 1.81



PROPOSED TYPICAL SECTION
MILE STA 0.34 TO 0.49
MILE STA 0.52 TO 0.55



PROPOSED TYPICAL SECTION
MILE STA 1.81 TO 1.83

BRIDGE OMISSIONS

MILE STA 0.21 TO 0.34
MILE STA 0.49 TO 0.52
MILE STA 0.55 TO 0.59

*NOTE:
M.S. 0.17-0.21
SEE DETAIL ON SHEET NO. 12
FOR MILLING AND RESURFACING

LEGEND

- ① EXISTING PCC PAVEMENT - 10"
- ② EXISTING AGGREGATE SHOULDER
- ③ EXISTING GUTTER
- ④ EXISTING CURB AND GUTTER
- ⑤ EXISTING LEVELING BINDER, MIXTURE B, TYPE 2, VAR 1" TO 10-3/4"
- ⑥ EXISTING HMA SURFACE COURSE, MIXTURE D, CLASS I, TYPE 2, 1-1/2"
- ⑦ PROPOSED LEVELING BINDER (MACHINE METHOD), 1"
- ⑧ PROPOSED HMA SURFACE COURSE, 1-1/2"
- ⑨ PROPOSED AGGREGATE WEDGE, TYPE B
- ⑩ PROPOSED HMA SURFACE REMOVAL, 2-1/2"
- ⑪ EXISTING PCC CORRUGATED MEDIAN
- ⑫ PROPOSED MEDIAN REMOVAL PARTIAL DEPTH

FILE NAME =	USER NAME = #USER#	DESIGNED -	REVISED -
#FILE#		DRAWN -	REVISED -
	PLOT SCALE = #SCALE#	CHECKED -	REVISED -
	PLOT DATE = #DATE#	DATE -	REVISED -

STATE OF ILLINOIS
DEPARTMENT OF TRANSPORTATION

PROPOSED TYPICAL SECTIONS

SCALE: _____ SHEET NO. _____ OF _____ SHEETS STA. _____ TO STA. _____

F.A.U. RTE.	SECTION	COUNTY	TOTAL SHEETS	SHEET NO.
9108	104RS-4	MADISON	15	8
FED. ROAD DIST. NO. ILLINOIS FED. AID PROJECT			CONTRACT NO. 76D80	