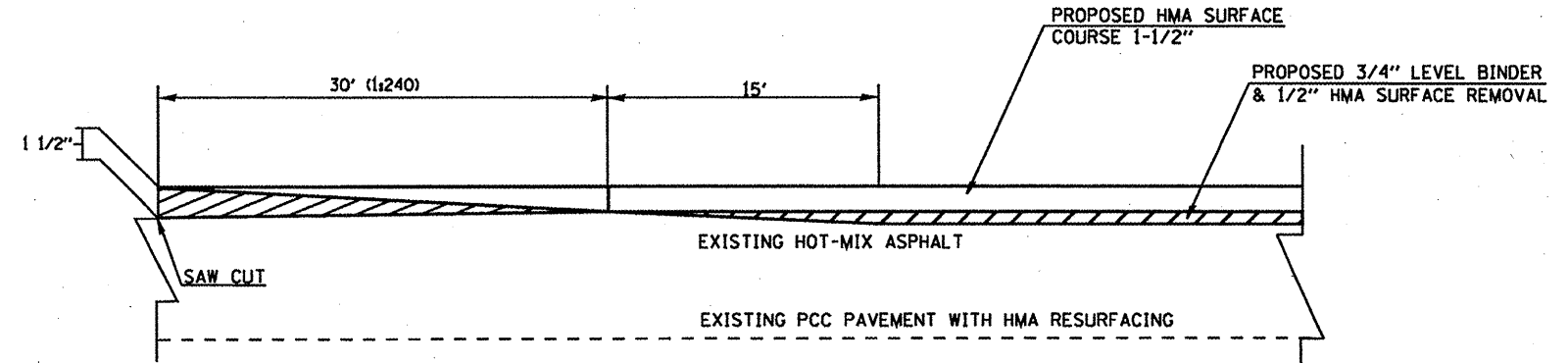
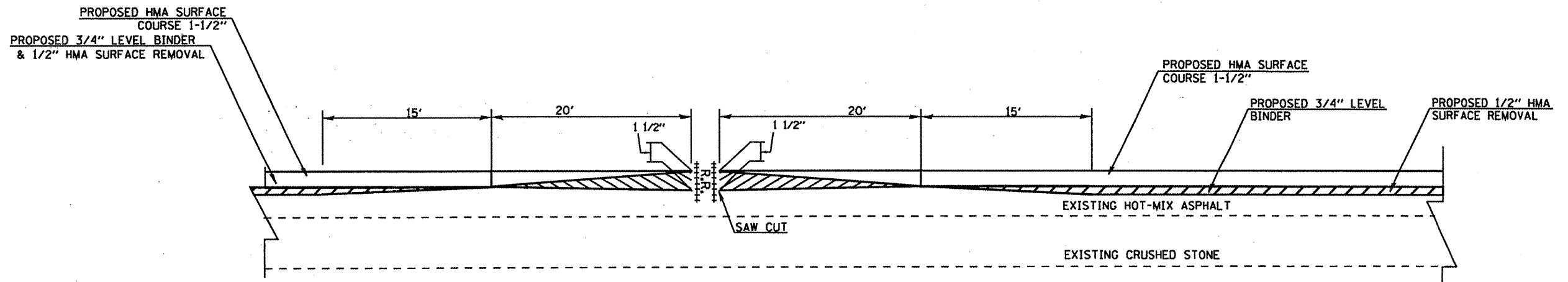


MILLING TRANSITION DETAILS



(AT END OF TURN LANE ON US 50)
 BUTT-JOINT DETAIL FOR BEGINNING STA. 00+00 AND END STA. 232+23
 OF PROJECT AND AT S.N. 061-0078 OMISSION (STA. 184+79 & 187+47)



BUTT-JOINT DETAIL @ RAILROAD (STA. 8+06 & 8+14)

NOTE: ALL SAW CUTS INCLUDED IN THE COST OF HMA SURFACE REMOVAL - BUTT JOINT.

FILE NAME *	USER NAME * a1fordb	DESIGNED -	REVISED -	STATE OF ILLINOIS DEPARTMENT OF TRANSPORTATION	TRANSITION AND BUTT JOINT DETAIL			F.A.S. RTE.	SECTION	COUNTY	TOTAL SHEETS	SHEET NO.
a:\pe...work\peidot\alfordb\0174886\0878	BI-shr-plan.dgn	DRAWN -	REVISED -					791	(17X-15DRS-1)	MARION	11	8
PLOT SCALE * 1/8" = 1' / IN.		CHECKED -	REVISED -					CONTRACT NO. 78081				
PLOT DATE * 3/4/2010		DATE -	REVISED -					SCALE:	SHEET NO.	OF SHEETS	STA.	TO STA.