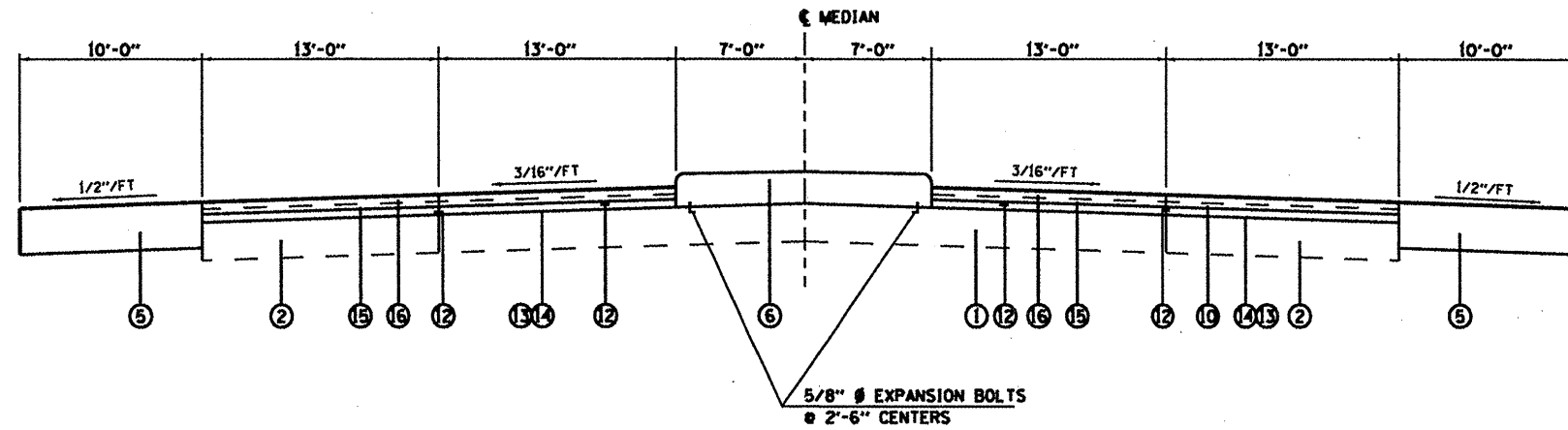
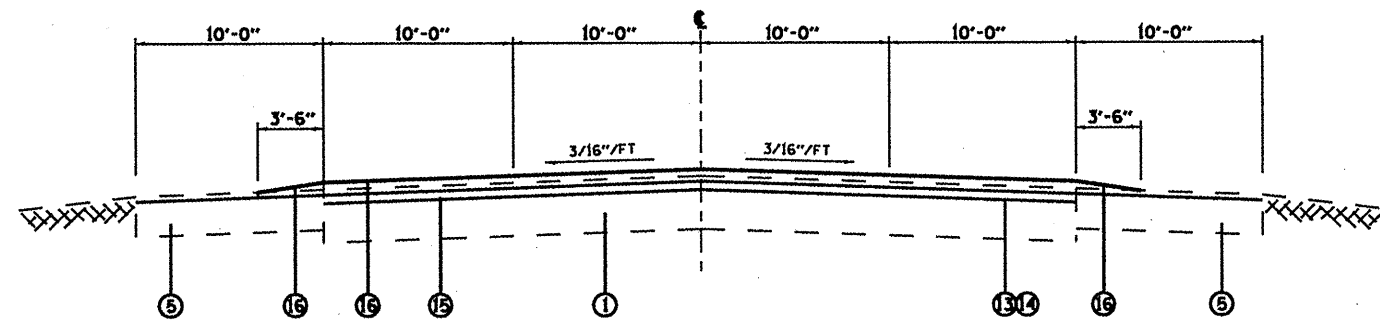


**PROPOSED TYPICAL SECTION**  
 STA. 300+40 TO STA. 311+65  
 (LOOKING EAST)



**PROPOSED TYPICAL SECTION**  
 STA. 326+52 TO STA. 327+27  
 STA. 342+10 TO STA. 346+24  
 (LOOKING EAST)



**PROPOSED TYPICAL SECTION**  
 STA. 325+08 TO STA. 326+52  
 STA. 346+24 TO STA. 348+06  
 (LOOKING EAST)

**LEGEND**

- ① EXISTING PCC PAVEMENT
- ② EXISTING PCC BASE COURSE WIDENING
- ③ EXISTING HMA LEVELING BINDER
- ④ EXISTING HMA SURFACE 1 1/2 "
- ⑤ EXISTING HMA SHOULDER
- ⑥ EXISTING CONCRETE MEDIAN
- ⑦ EXISTING COMBINATION CONCRETE CURB AND GUTTER
- ⑧ EXISTING SIDEROAD
- ⑨ PAVED SHOULDER REMOVAL/EARTH EXCAVATION/HMA SHOULDER 6"
- ⑩ HMA SURFACE REMOVAL 1 1/2 "
- ⑪ HMA SURFACE REMOVAL 3/4 "
- ⑫ PROPOSED STRIP REFLECTIVE CRACK CONTROL TREATMENT
- ⑬ PROPOSED BITUMINOUS MATERIAL PRIME COAT
- ⑭ PROPOSED AGGREGATE PRIME COAT
- ⑮ PROPOSED LEVELING BINDER (MACHINE METHOD) N70 3/4 "
- ⑯ PROPOSED HMA SURFACE COURSE MIX "D" N70 1 1/2 "
- ⑰ PROPOSED HMA SHOULDER (1 1/2")
- ⑱ PROPOSED AGGREGATE SHOULDER WEDGE
- ⑲ EXISTING AGGREGATE SHOULDER

FILE NAME *	USER NAME * alfordb	DESIGNED -	REVISED -
al:\pe_work\pedit\alfordb\175878\1875	84-shr-planudgn	DRAWN -	REVISED -
	PLOT SCALE = 100.0000' / IN.	CHECKED -	REVISED -
	PLOT DATE = 3/17/2018	DATE -	REVISED -

STATE OF ILLINOIS  
 DEPARTMENT OF TRANSPORTATION

PROPOSED TYPICAL SECTIONS

SCALE: NONE SHEET NO. OF SHEETS STA. TO STA.

F.A.I.L. RTE.	SECTION	COUNTY	TOTAL SHEETS	SHEET NO.
9120	28RS-6	MADISON	33	8
FED. ROAD DIST. NO. ILLINOIS FED. AID PROJECT			CONTRACT NO. 76D84	