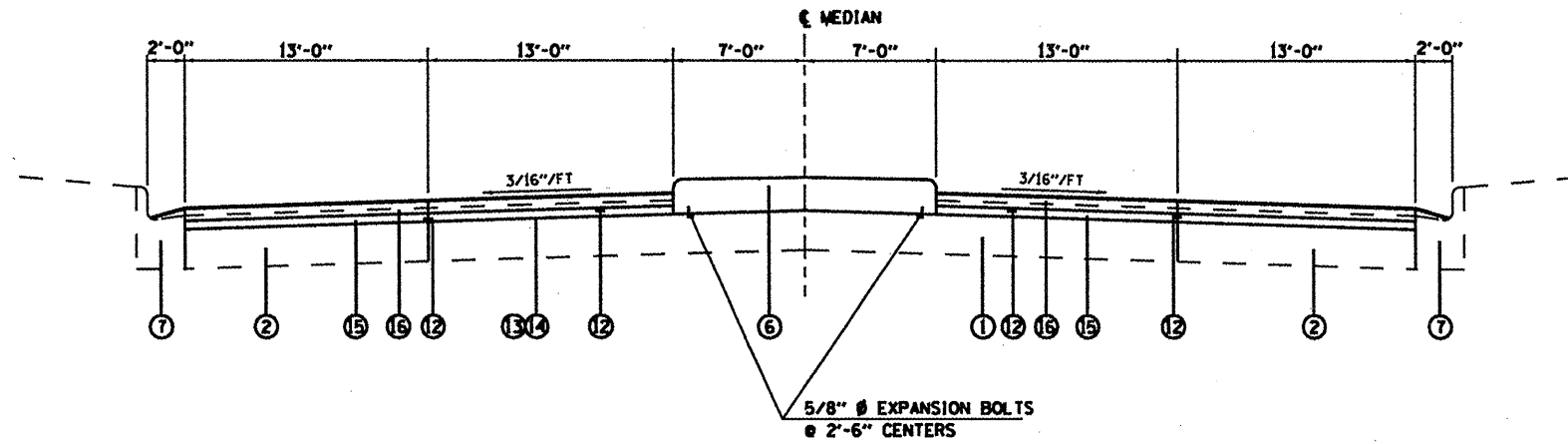
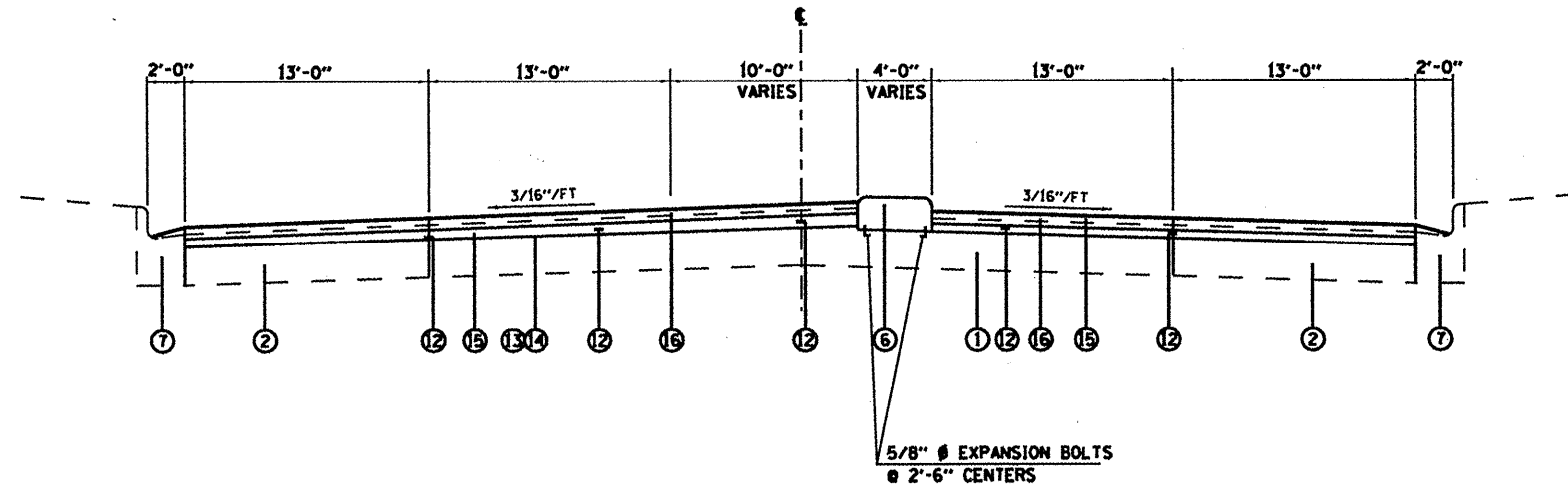


PROPOSED TYPICAL SECTION
 STA. 329+25 TO STA. 330+09
 STA. 341+50 TO STA. 342+10
 (LOOKING EAST)



TYPICAL SECTION
 STA. 335+33 TO STA. 337+57
 (LOOKING EAST)



PROPOSED TYPICAL SECTION
 STA. 330+09 TO STA. 335+33
 (LOOKING EAST)

LEGEND

- ① EXISTING PCC PAVEMENT
- ② EXISTING PCC BASE COURSE WIDENING
- ③ EXISTING HMA LEVELING BINDER
- ④ EXISTING HMA SURFACE 1 1/2 "
- ⑤ EXISTING HMA SHOULDER
- ⑥ EXISTING CONCRETE MEDIAN
- ⑦ EXISTING COMBINATION CONCRETE CURB AND GUTTER
- ⑧ EXISTING SIDEROAD
- ⑨ PAVED SHOULDER REMOVAL/EARTH EXCAVATION/HMA SHOULDER 6"
- ⑩ HMA SURFACE REMOVAL 1 1/2 "
- ⑪ HMA SURFACE REMOVAL 3/4 "
- ⑫ PROPOSED STRIP REFLECTIVE CRACK CONTROL TREATMENT
- ⑬ PROPOSED BITUMINOUS MATERIAL PRIME COAT
- ⑭ PROPOSED AGGREGATE PRIME COAT
- ⑮ PROPOSED LEVELING BINDER (MACHINE METHOD) N70 3/4 "
- ⑯ PROPOSED HMA SURFACE COURSE MIX "D" N70 1 1/2 "
- ⑰ PROPOSED HMA SHOULDER (1 1/2")
- ⑱ PROPOSED AGGREGATE SHOULDER WEDGE
- ⑲ EXISTING AGGREGATE SHOULDER

FILE NAME *	USER NAME * alfordb	DESIGNED -	REVISED -
al\pe_work\pedit\elfordb\0175875\0875	04-sht-plan.dgn	DRAWN -	REVISED -
PLOT SCALE = 1/8" = 1' IN.	CHECKED -	DATE -	REVISED -
PLOT DATE = 3/17/2018	DATE -	REVISED -	

STATE OF ILLINOIS
 DEPARTMENT OF TRANSPORTATION

PROPOSED TYPICAL SECTIONS

SCALE: NONE SHEET NO. OF SHEETS STA. TO STA.

F.A.I.L. RTE.	SECTION	COUNTY	TOTAL SHEETS	SHEET NO.
9128	28RS-6	MADISON	33	9
FED. ROAD DIST. NO. ILLINOIS FED. AID PROJECT			CONTRACT NO. 76084	