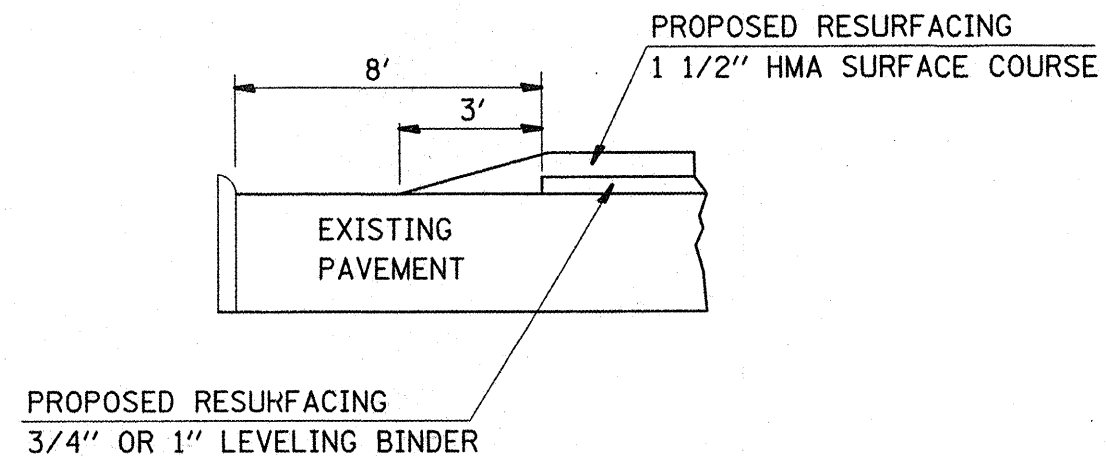
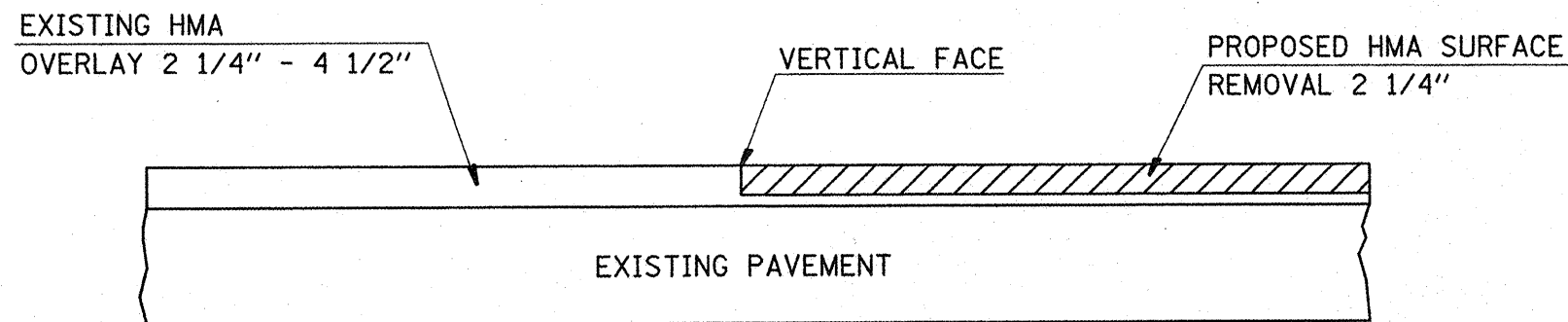


BUTT JOINT
40TH. ST. LOCATIONS
0+00, 15+25 (FROM SOUTH)



EDGE OF PAVEMENT SURFACE COURSE TAPER



SURFACE REMOVAL JOINT

FOREST BLVD. LOCATION
44+05

40TH ST. LOCATION
15+25 (FROM NORTH)

CASEYVILLE AVE. LOCATIONS
1+07, 27+40

FILE NAME =	USER NAME = waterale	DESIGNED -	REVISED -	STATE OF ILLINOIS DEPARTMENT OF TRANSPORTATION	JOINT DETAILS			F.A. RTE.	SECTION	COUNTY	TOTAL SHEETS	SHEET NO.
ca\pwork\PWIDOT\WATERSLE\d8175127\d8	ed85-sht-plon.dgn	DRAWN -	REVISED -		SCALE:	SHEET NO. 1 OF 1 SHEETS	STA.	TO STA.	DIST. 8 RES. 2010-6	ST. CLAIR	15	15
		CHECKED -	REVISED -		CONTRACT NO. 76085							
		DATE	REVISED -		FED. ROAD DIST. NO. 8 ILLINOIS FED. AID PROJECT							