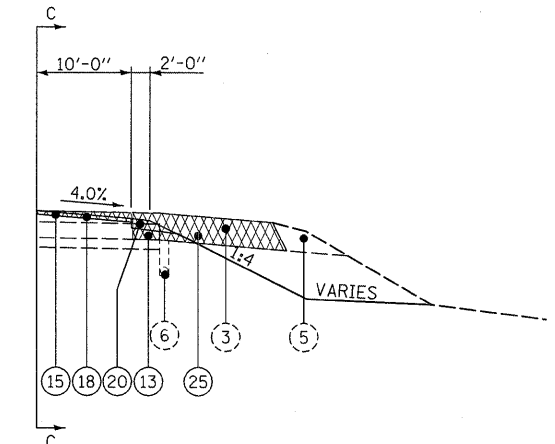
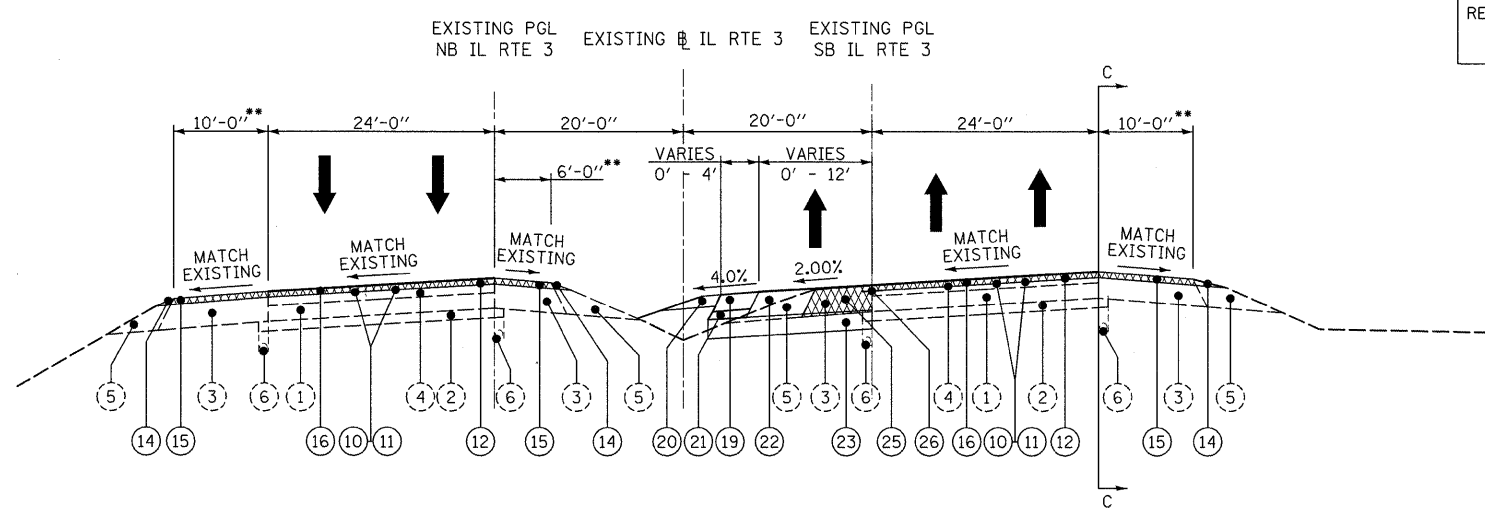


IL RTE 3
 RIGHT TURN LANE SECTION
 STA. 1341+46.86 TO STA. 1348+09.00

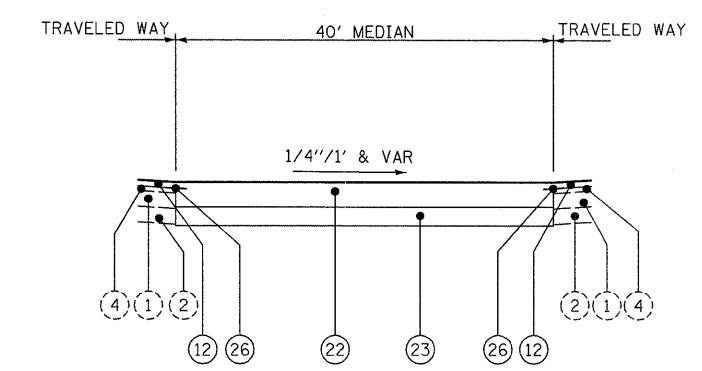


IL RTE 3 SECTION C-C
 WEAVING LANE REMOVAL SECTION
 STA. 1360+50.00 TO STA. 1364+79.21



IL RTE 3
 LEFT TURN LANE SECTION
 STA. 1362+33.40 TO STA. 1367+49.13

REFER TO THE INTERSECTION
 DETAILS FOR CROSSOVER
 SLOPES AND ELEVATIONS



IL RTE 3 PROPOSED MAINLINE
 SECTION ALONG MEDIAN OPENING C

** SHOULDER WIDTHS SHOWN ON THE TYPICALS
 ARE THEORETICAL SHOULDER WIDTHS. ACTUAL
 SHOULDER WIDTHS SHALL MATCH EXISTING
 CONDITIONS UNLESS OTHERWISE SPECIFIED.

LEGEND

- ① EXISTING P.C.C. CONCRETE
- ② EXISTING SUB-BASE GRANULAR MATERIAL TYPE A
- ③ EXISTING HMA SHOULDERS
- ④ EXISTING HMA SURFACE
- ⑤ EXISTING AGGREGATE SHOULDERS
- ⑥ EXISTING PIPE UNDERDRAIN
- ⑦ EXISTING GUARDRAIL
- ⑩ PROPOSED BITUMINOUS MATERIALS (PRIME COAT)
- ⑪ PROPOSED AGGREGATE (PRIME COAT)
- ⑫ PROPOSED POLYMERIZED HOT-MIX ASPHALT SURFACE COURSE, STONE MATRIX ASPHALT, N80 2"
- ⑬ PROPOSED PAVEMENT REMOVAL
- ⑭ PROPOSED AGGREGATE SHOULDERS, TYPE B
- ⑮ PROPOSED HOT-MIX ASPHALT SHOULDERS, 2"
- ⑯ PROPOSED HOT-MIX SURFACE REMOVAL, 2"
- ⑰ PROPOSED PIPE UNDERDRAINS, 4"
- ⑱ PROPOSED HOT-MIX ASPHALT SHOULDERS 10 1/2"
- ⑲ PROPOSED HOT-MIX ASPHALT SHOULDERS 10 1/2"
- ⑳ PROPOSED AGGREGATE SHOULDERS, TYPE B, 6"
- ㉑ PROPOSED SUB-BASE GRANULAR MATERIAL, TYPE C
- ㉒ PROPOSED HOT-MIX ASPHALT PAVEMENT (FULL DEPTH), 13"
- ㉓ PROPOSED LIME MODIFIED SOIL - 12"
- ㉔ PROPOSED GUARDRAIL (SEE PLANS FOR LOCATIONS)
- ㉕ PROPOSED PAVED SHOULDER REMOVAL
- ㉖ STRIP REFLECTIVE CRACK CONTROL TREATMENT

LAST SAVED = 3/14/2010
 PEN TABLE = VB.tbl
 PLOT DRIVER = TR-Xerox6204-To-File.plt

FILE NAME =	USER NAME = sdonehue	DESIGNED -	REVISED -
\\0906600\0906600\oad\plans\004_087\087-Sht-Typical.dgn		DRAWN -	REVISED -
PLOT SCALE = 10.0005' / IN.		CHECKED -	REVISED -
PLOT DATE = 3/15/2010 4:37:51 PM		DATE -	REVISED -

STATE OF ILLINOIS
 DEPARTMENT OF TRANSPORTATION

HORNER &
 SHIFRIN, INC.
 ENGINEERS

TYPICAL SECTIONS
 ILLINOIS ROUTE 3

SCALE: NONE SHEET NO. 2 OF 6 SHEETS STA. TO STA.

F.A.I. RTE.	SECTION	COUNTY	TOTAL SHEETS	SHEET NO.
270	60-2RS-3	MADISON	231	10
CONTRACT NO. 76D87				
ILLINOIS FED. AID PROJECT				