

STATE OF ILLINOIS
DEPARTMENT OF TRANSPORTATION

SPECIFICATIONS FOR STANDARD ALUMINUM GRATING

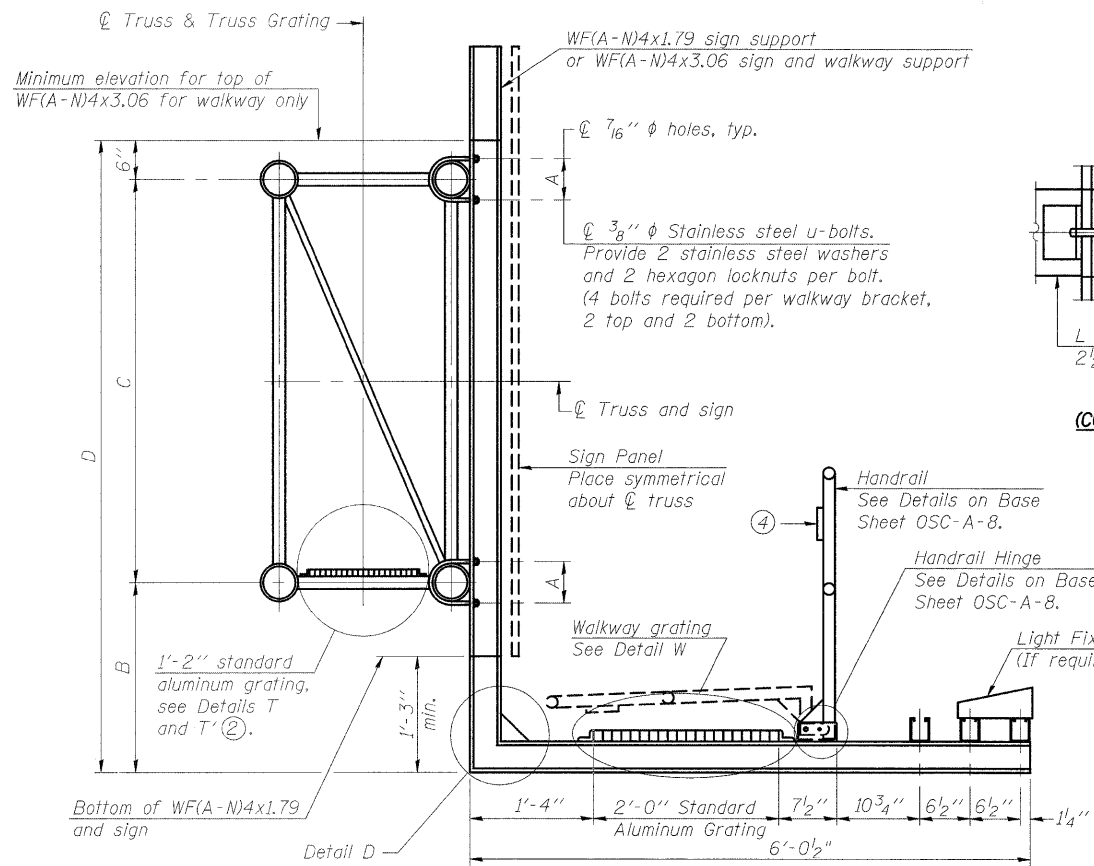
Main Bearing Bars (MBB) shall be $\frac{3}{16}$ " x $1\frac{1}{2}$ " on $1\frac{3}{16}$ " centers and conform to ASTM B211 Alloy 6061-T6.
Cross bars (CB) shall be $\frac{3}{16}$ " x $1\frac{1}{2}$ " on 4" centers and conform to ASTM B221 Alloy 6063-T5 or 6061-T6.

OR

Aluminum Grating with modified "T" sections for main bearing bars shall meet the following requirements:

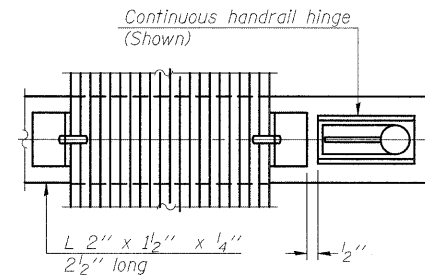
Main bars shall conform to ASTM B221 Alloy 6061-T6 and have a minimum section modulus equal to 0.0705 in.³ per bar, a depth of $1\frac{1}{2}$ ", spaced on $1\frac{3}{16}$ " centers.

Cross bars shall conform to ASTM B221 Alloy 6063-T5 or T-42 and spaced on 4" centers.

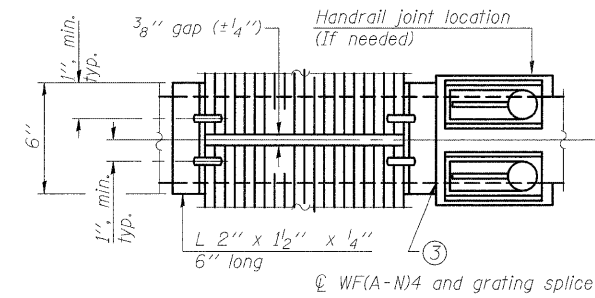


SECTION B-B

Sign shall be even with the top of the bracket, but it may extend no more than 6" above the top of the bracket for field adjustments.

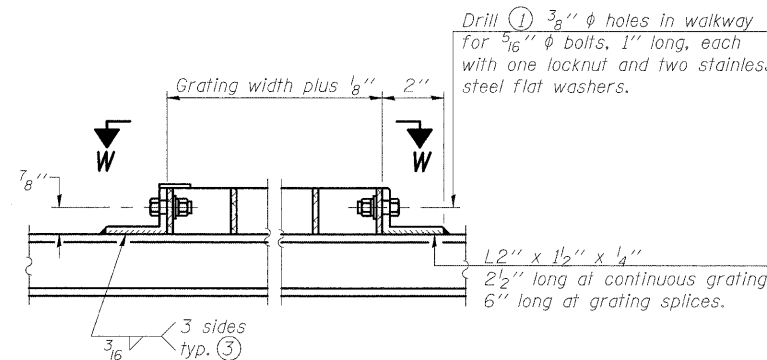


(CONTINUOUS WALKWAY GRATING)



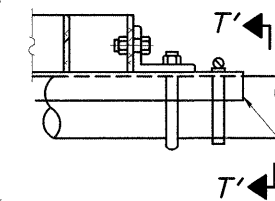
(AT WALKWAY GRATING SPLICE)

SECTION W-W



DETAIL W

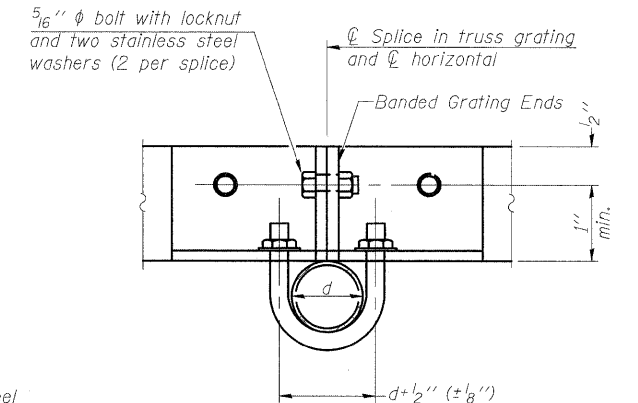
(Walkway grating)



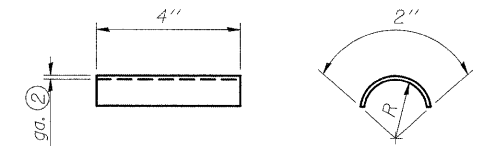
DETAIL T'

(Truss grating splice)

Details not shown same as Detail T. Alternate materials may be used subject to the Engineer's review and approval.



SECTION T'-T'

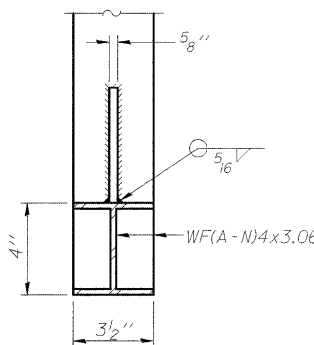


R = bend to match tube (approximately)

ELEVATION

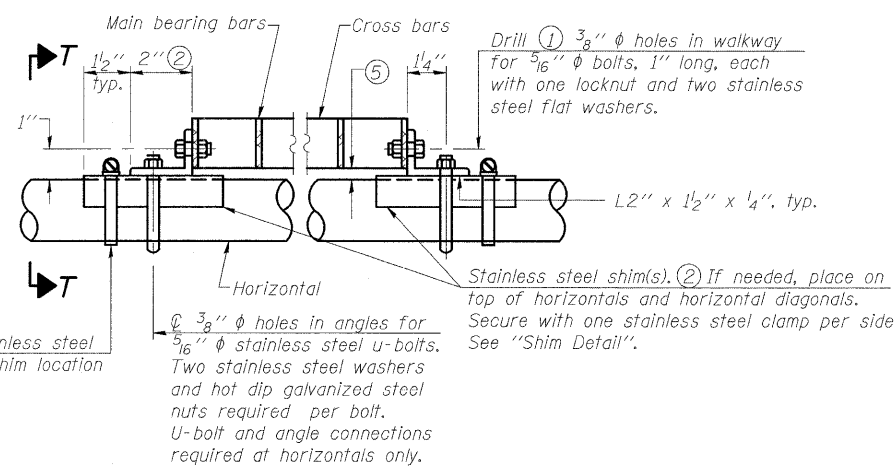
END VIEW

SHIM DETAIL



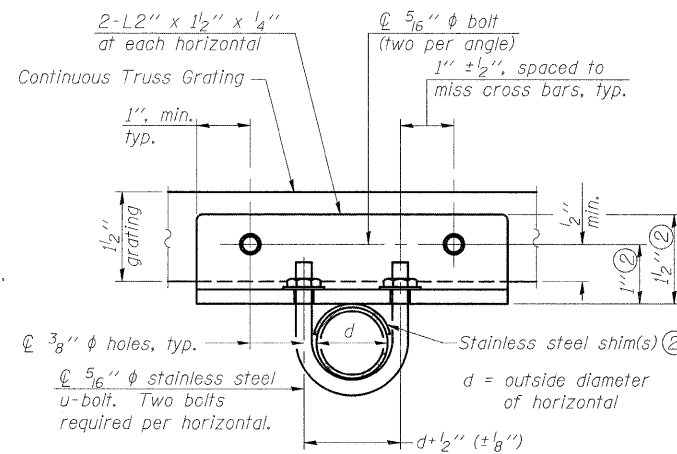
SECTION D-D

Screw type stainless steel tube clamp at shim location



DETAIL T

(Continuous Truss grating)



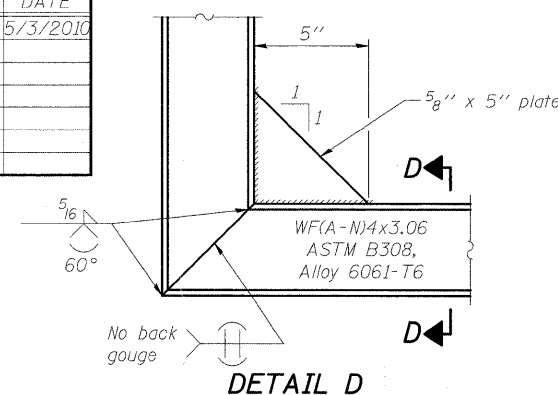
SECTION T-T

NUMBER	REVISION	DATE
1	Revised Dimensions	5/3/2010

DESIGNED	KLH
CHECKED	JJD
DRAWN	KLH
CHECKED	JJD

OSC-A-7

6-1-09



DETAIL D

Structure Number	Station	A	⑥ B	C	⑥ D
8C0601270R002.7	235+35.00	7 1/2"	2'-6"	7'-0"	10'-0"

HORNER & SHIFRIN, INC.
ENGINEERS

SHEET NO. 7
9 SHEETS

CANTILEVER SIGN STRUCTURES WALKWAY DETAILS ALUMINUM TRUSS & STEEL POST				
F.A.I. ROUTE 270 (I-270), SEC. 60-2RS-3 MADISON COUNTY				
F.A.I. RTE.	SECTION	COUNTY	TOTAL SHEETS	SHEET NO.
270	60-2RS-3	MADISON	231	119
CONTRACT NO. 76D87				
ILLINOIS FED. AID PROJECT				