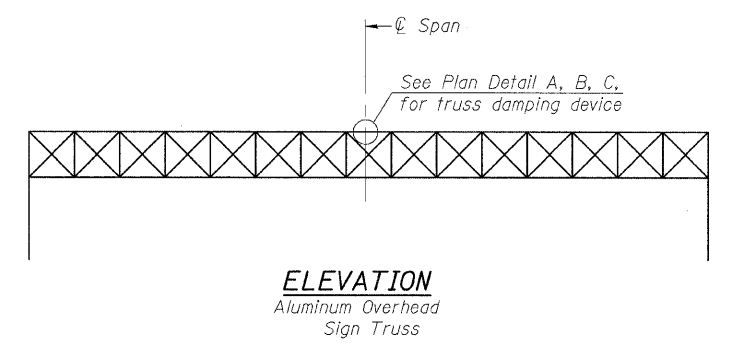
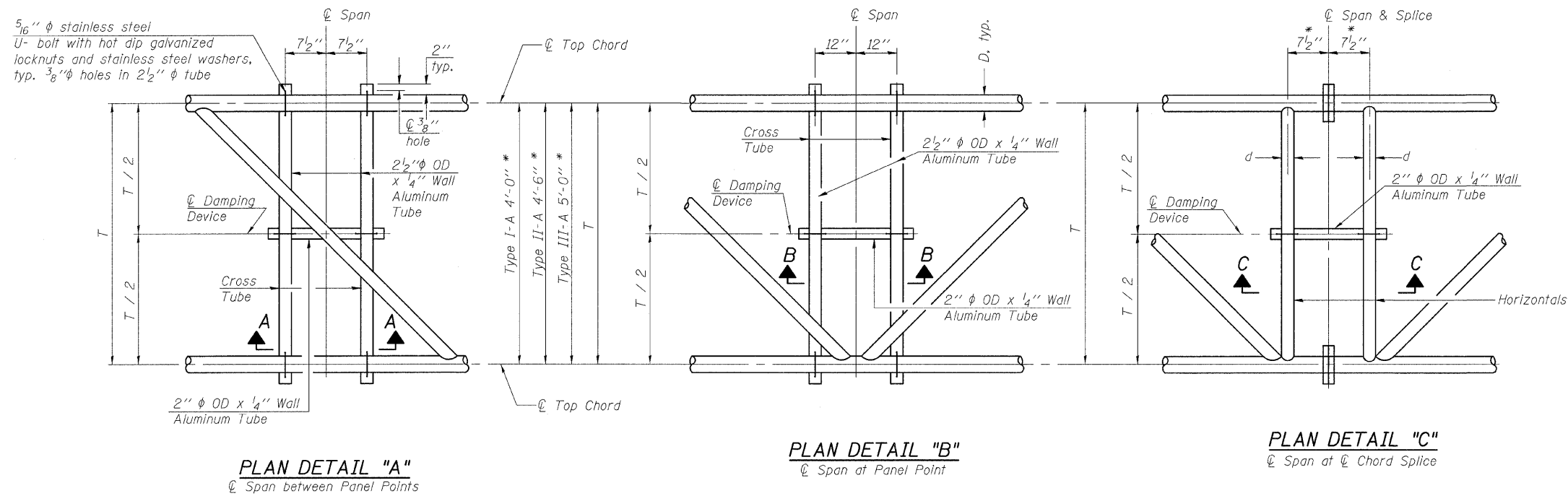


STATE OF ILLINOIS
DEPARTMENT OF TRANSPORTATION

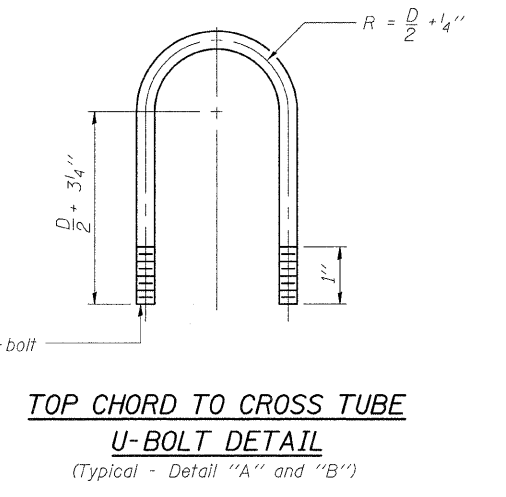
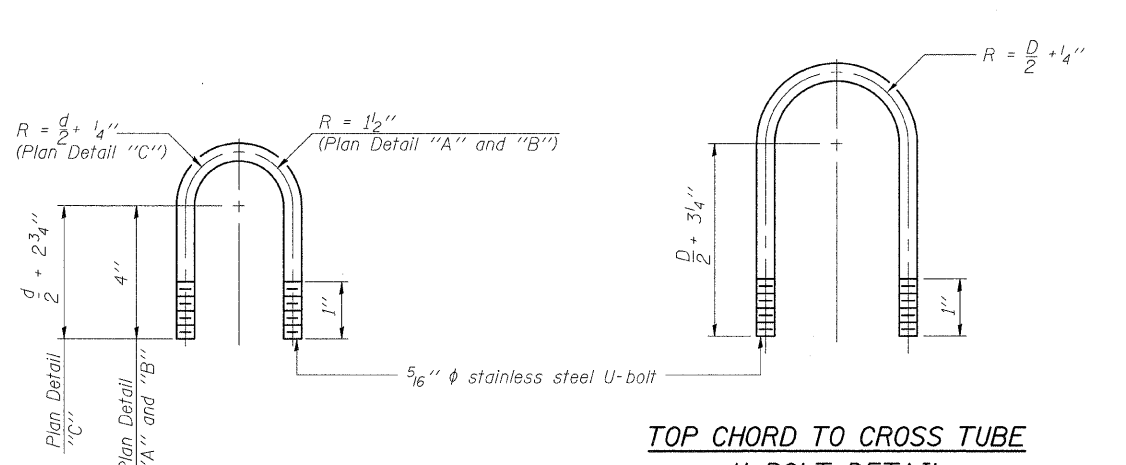
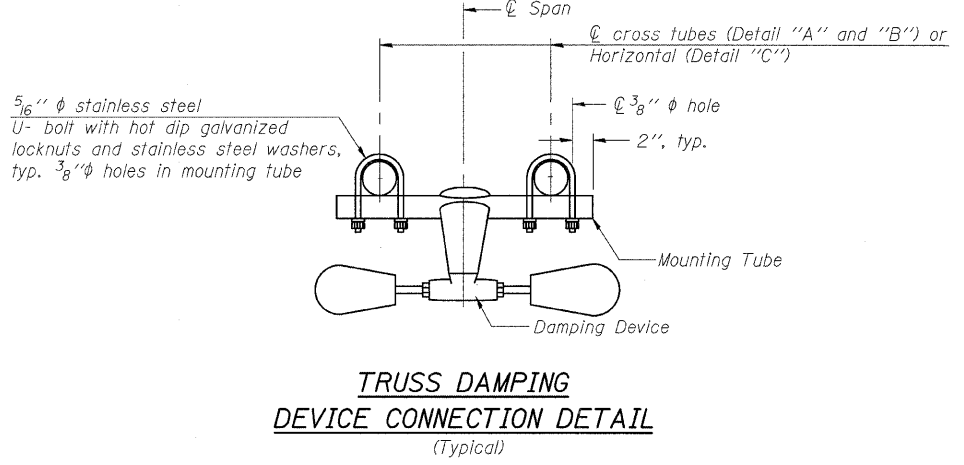
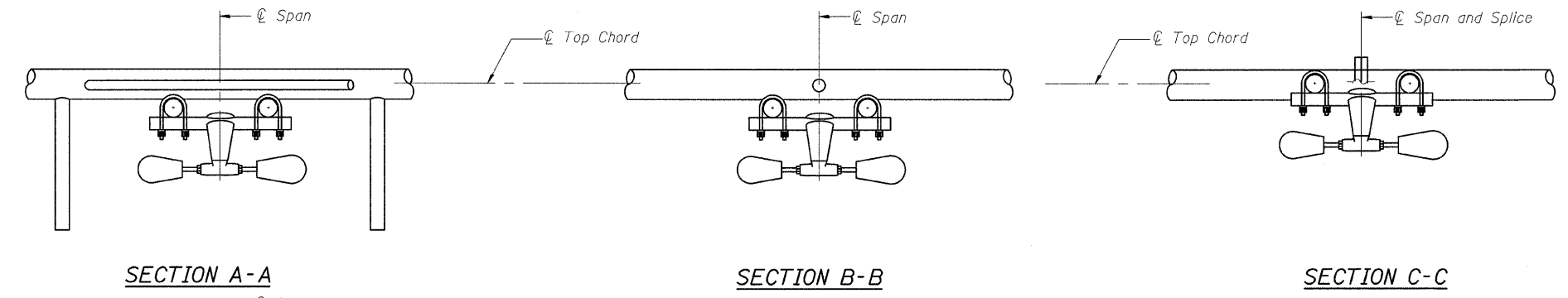
* Center of horizontal to center of splice dimension may vary. Verify before drilling holes in mounting tube.



NOTES

Damper: One damper per truss. (31 lbs. minimum Stockbridge-Type Aluminum - 29" minimum between ends of weights) Cost included in Overhead Sign Structure...

Materials: Materials: Aluminum tubes shall be ASTM B221 alloy 6061 temper T6. Cost included in Overhead Sign Structure...



DESIGNED	KLH
CHECKED	JJD
DRAWN	KLH
CHECKED	JJD

OS-A-D 12-1-08

HORNER & SHIFRIN, INC.
ENGINEERS

SHEET NO. 4
14 SHEETS

OVERHEAD SIGN STRUCTURE DAMPING DEVICE				
F.A.I. ROUTE 270 (I-270), SEC. 60-2RS-3 MADISON COUNTY				
F.A.I. RTE.	SECTION	COUNTY	TOTAL SHEETS	SHEET NO.
270	60-2RS-3	MADISON	231	125
CONTRACT NO. 76D87				
ILLINOIS FED. AID PROJECT				