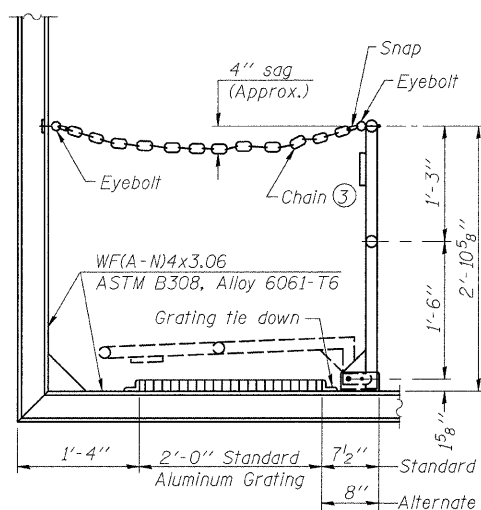
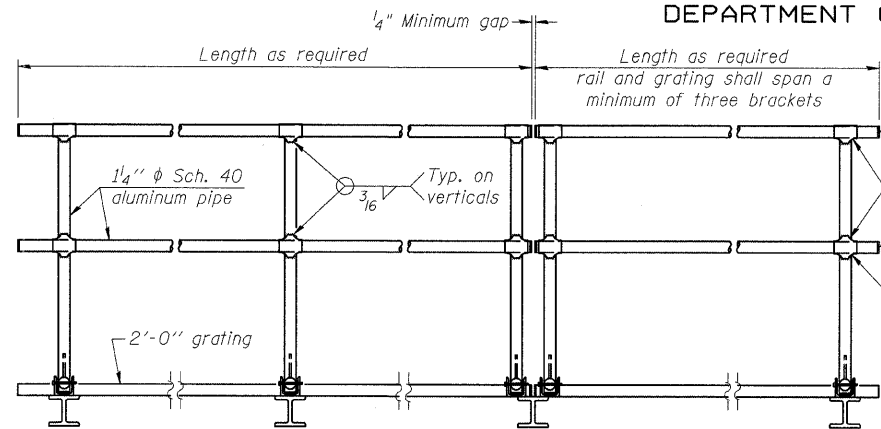


STATE OF ILLINOIS
DEPARTMENT OF TRANSPORTATION



SIDE ELEVATION

(Showing safety chain w/o sign)

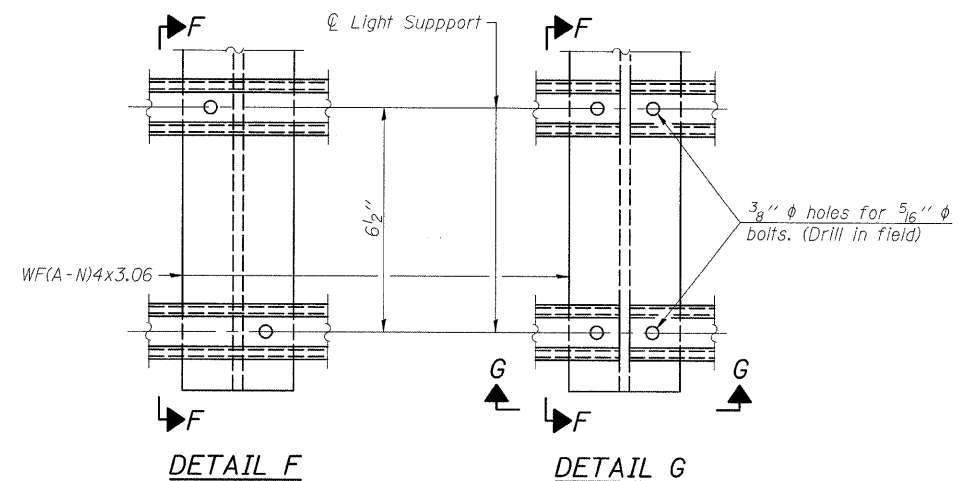


FRONT ELEVATION

HANDRAIL DETAILS

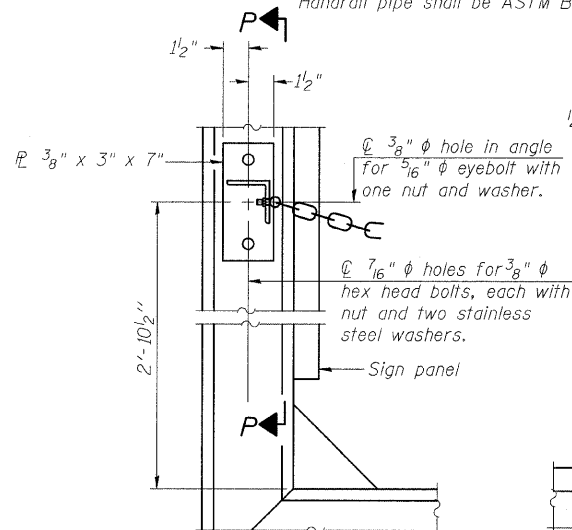
Handrail pipe shall be ASTM B241 or B429, Alloy 6063-T6 or Alloy 6061-T6.

- ① Install standard force-fit end caps or weld 1/8" end plates with 1/8" c.f.w. and grind smooth. (All rail ends)
- ② Horizontal handrail member shall be continuous thru fitting. Provide 1/16" hole in fitting for 3/8" hole in horizontal rail member. Provide locknut and two stainless steel washers for bolt. (Use 5/16" eyebolts in 7/16" holes on top rail at ends only.)



DETAIL F

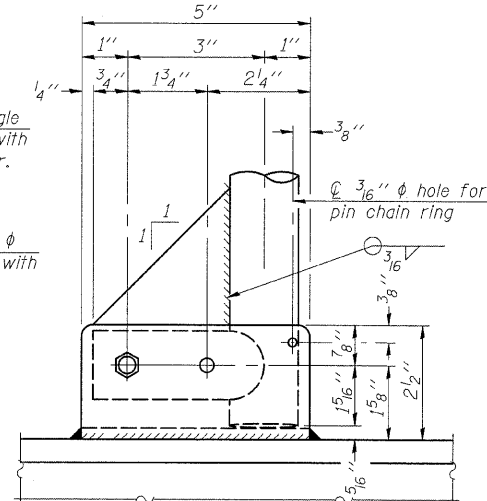
DETAIL G



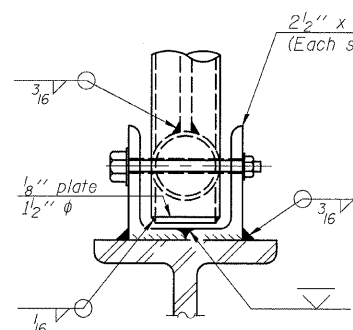
ALTERNATE SAFETY CHAIN ATTACHMENT

(With Sign Present)

Items not shown same as "Side Elevation" of "Handrail Details"

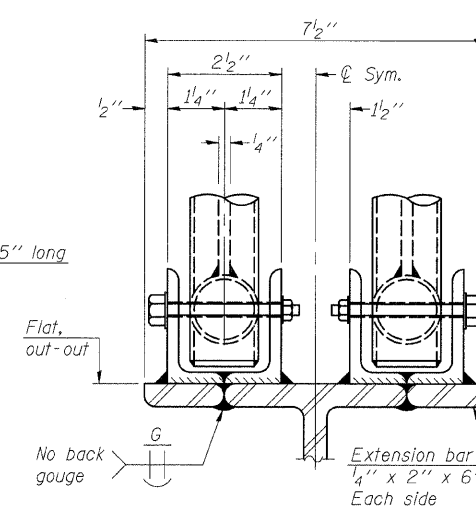


SIDE ELEVATION

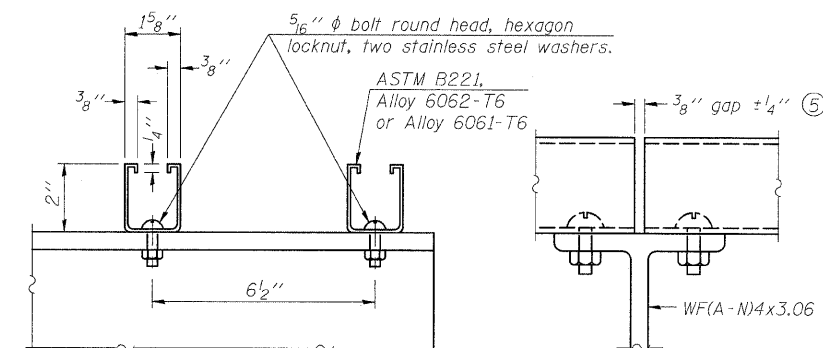


FRONT ELEVATION

See "Elevation" at right for dimensions.



ELEVATION AT HANDRAIL JOINT ④

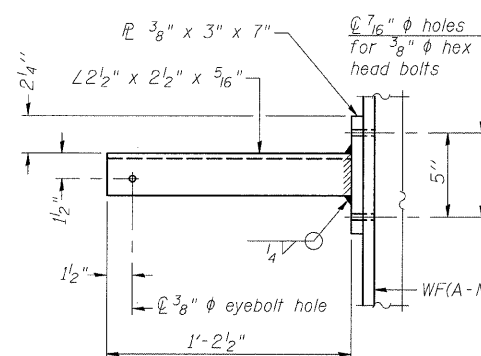


SECTION F-F

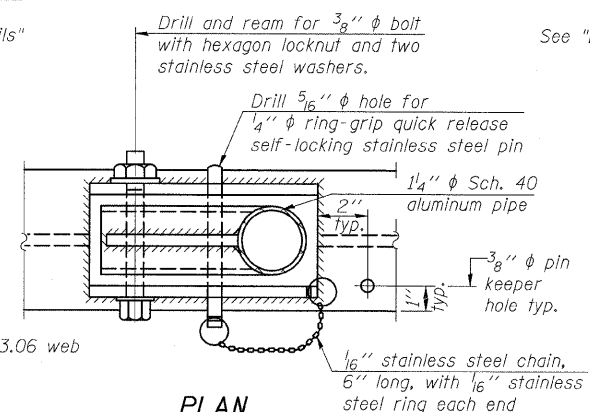
SECTION G-G

LIGHTING FIXTURE MOUNTS (IF REQUIRED)

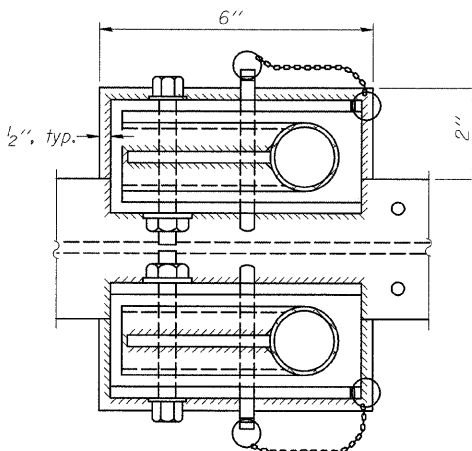
- ⑤ Field cut ends of light support channels shall be free of burrs or hazardous projections and coated with zinc-rich primer or equivalent.



SECTION P-P

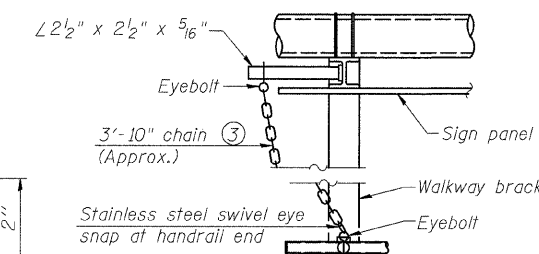


PLAN DETAIL E HANDRAIL HINGE



PLAN AT HANDRAIL JOINT

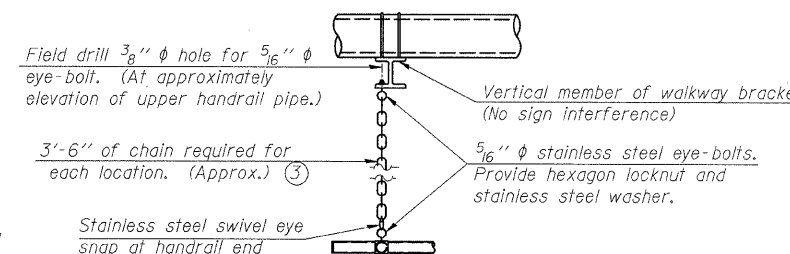
Details not shown same as "PLAN"



ALTERNATE SAFETY CHAIN ATTACHMENT

Details not shown similar to "Safety Chain" Details (Walkway omitted for clarity)

- ③ 3/16" Type 304L stainless steel chain, approximately 12 links per foot.
- ④ Extrusions may be used in lieu of the details shown, with approval of the Engineer.



SAFETY CHAIN

One required for each end of each walkway.

DESIGNED	KLH
CHECKED	JJD
DRAWN	KLH
CHECKED	JJD

OS-A-11

12-1-08

NUMBER	REVISION	DATE

HORNER & SHIFRIN, INC. ENGINEERS

SHEET NO. 11
14 SHEETS

OVERHEAD SIGN STRUCTURES ALUMINUM HANDRAIL DETAILS				
F.A.I. ROUTE 270 (I-270), SEC. 60-2RS-3 MADISON COUNTY				
F.A.I. RTE.	SECTION	COUNTY	TOTAL SHEETS	SHEET NO.
270	60-2RS-3	MADISON	231	132
CONTRACT NO. 76D87			ILLINOIS FED. AID PROJECT	