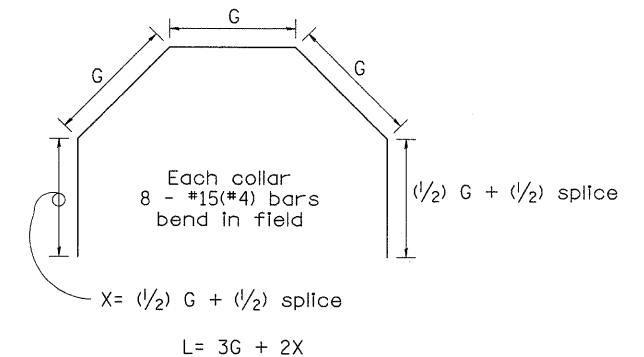
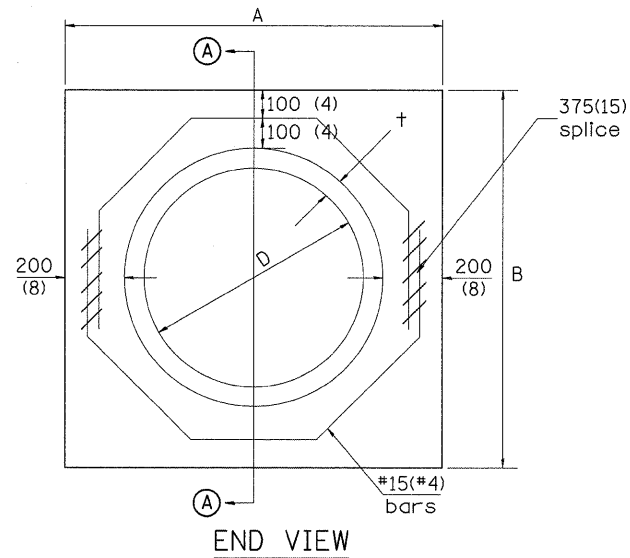


SECTION A - A



Each Collar								
Reinforcement Bars								
D	†	A	B	CL. SI CONC.	G	X	L	Weight
m (in)	m (in)	m (ft)	m (ft)	m <sup>3</sup> (cu. yd)	m (in)	m (in)	m (ft)	kg (lb)
300 (12)	51 (2.00)	0.814 (2.67)	0.814 (2.67)	0.270 (0.4)	253 (9 15/16)	317 (12 7/16)	1.393 (4.57)	11 (24)
375 (15)	57 (2.25)	0.902 (2.96)	0.902 (2.96)	0.315 (0.4)	290 (11 3/8)	335 (13 3/16)	1.541 (5.05)	12 (27)
450 (18)	64 (2.50)	0.991 (3.25)	0.991 (3.25)	0.362 (0.5)	327 (12 13/16)	354 (13 7/8)	1.689 (5.54)	14 (30)
525 (21)	70 (2.75)	1.079 (3.54)	1.079 (3.54)	0.411 (0.5)	364 (14 1/4)	372 (14 5/8)	1.836 (6.02)	15 (32)
600 (24)	76 (3.00)	1.167 (3.83)	1.167 (3.84)	0.460 (0.6)	401 (15 11/16)	391 (15 5/16)	1.984 (6.51)	16 (35)
675 (27)	83 (3.25)	1.259 (4.13)	1.259 (4.13)	0.516 (0.7)	438 (17 1/4)	409 (16 1/16)	2.131 (6.99)	17 (37)
750 (30)	89 (3.50)	1.347 (4.42)	1.347 (4.42)	0.570 (0.7)	475 (18 11/16)	428 (16 3/4)	2.279 (7.48)	18 (40)
825 (33)	95 (3.75)	1.436 (4.71)	1.436 (4.71)	0.624 (0.8)	512 (20 1/8)	446 (17 1/2)	2.426 (7.96)	19 (43)
900 (36)	102 (4.00)	1.524 (5.00)	1.524 (5.00)	0.682 (0.9)	549 (21 9/16)	465 (18 3/16)	2.574 (8.44)	20 (45)
1050 (42)	114 (4.50)	1.701 (5.58)	1.701 (5.58)	0.800 (1.0)	622 (24 7/16)	501 (19 3/4)	2.869 (9.41)	23 (50)
1200 (48)	127 (5.00)	1.881 (6.17)	1.881 (6.17)	0.930 (1.2)	696 (27 5/16)	538 (21 3/16)	3.164 (10.38)	25 (55)

GENERAL NOTES

1. THE COLLAR SHALL BE CONSTRUCTED ENTIRELY OF CLASS SI CONCRETE IN ACCORDANCE WITH THE APPLICABLE PORTIONS OF SECTION 503 OF THE STANDARD SPECIFICATIONS. REINFORCEMENT BARS SHALL CONFORM TO SECTION 508.

LAST SAVED = 3/13/2010  
 PEN TABLE = V8.tbl  
 PLOT DRIVER = TR-Xerox6204-Te-File.plt

FILE NAME =	USER NAME = sdonahue	DESIGNED -	REVISED -	<b>STATE OF ILLINOIS</b> <b>DEPARTMENT OF TRANSPORTATION</b>		<b>SPECIAL DETAILS</b> CONCRETE COLLAR DETAILS		F.A.I. RTE.	SECTION	COUNTY	TOTAL SHEETS	SHEET NO.
1:\0906600\0906601\cad\plans\086.D87	087-Sht-Details.dgn	DRAWN -	REVISED -			270	60-2RS-3	MADISON	231	143		
PLOT SCALE = 50:0023' / IN.	CHECKED -	REVISED -	SCALE: NONE			SHEET NO. 2 OF 4 SHEETS	STA.	TO STA.	CONTRACT NO. 76D87			
PLOT DATE = 3/16/2010 4:44:02 PM	DATE -	REVISED -	FED. ROAD DIST. NO. ILLINOIS FED. AID PROJECT									